



SIEMENS



Built-in Appliances
2019 Collection

Discover appliances that are made to complement one another and offer stand out eye-catching design. Explore exciting possibilities and innovative features with the Siemens built-in range.

The future moving in.

Siemens Home Appliances

Introducing coordinated and intelligently designed appliances by Siemens.



Introducing coordinated and intelligently designed appliances by Siemens. Offering you the perfect balance between modern design and innovative technology our range has different collections including iQ700; products with eye-catching design, cutting-edge technology and big, bright and more intuitive displays. Our iQ500 range brings the latest innovations and exclusive designs allowing you to experience first-class appliances in your home. iQ300 and iQ100 offer more affordable options with the same level of design and style.

Discover the entire built-in range – for even more flexibility and time-saving solutions which help support increasingly busy lifestyles. Siemens appliances include ovens that save time by speeding up the cooking process with varioSpeed, dishwashers that feature the world's only Zeolith® drying system; a technological innovation that sets new standards for performance and energy efficiency. In addition our range features fridges with hyperFresh food preservation to help keep food fresh for longer and outstanding freezers that never have to be defrosted. Not to mention high performance built-in washing machines. All working together to create a spectacular built-in kitchen and utility space in your home.

Stunning design and high quality materials come as standard with all Siemens appliances.



Siemens Home Appliances is part of BSH, winner of the 2018 Domestic and General Total Excellence and Quality Award. This award is based on surveys sent to customers of most of the major home appliance manufacturers and confirms our commitment to offering Siemens customers the very best customer service.



Warranties.

Siemens offer a 2 Year Warranty across the majority of our built-in range for added peace of mind. This warranty covers manufacturing and material faults. To register your warranty please refer to the information on page 179. aCool appliances within the studioLine cooling range and American fridge freezers are the only appliances we currently offer with a 5 Year Warranty.

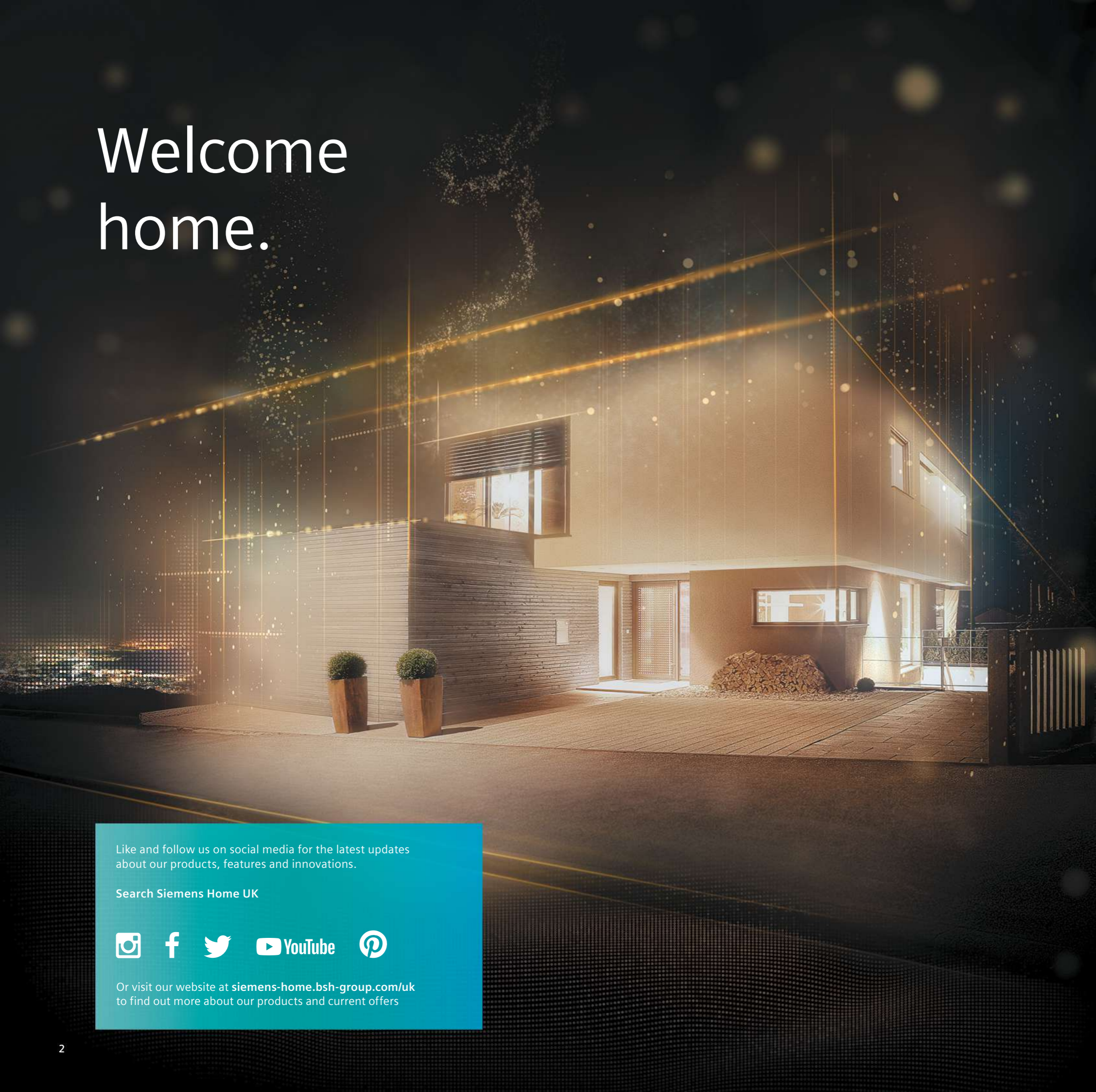


For the machines featured in this brochure, we are also able to offer longer warranties on certain parts. This includes a 10 year Anti-Rust warranty on all dishwashers, a 10 year Compressor Drive warranty on selected cooling appliances, a 10 year iQdrive® warranty on selected washing machines and lifetime AquaStop warranty on selected laundry and dishwasher appliances.

For further details please refer to page 179 or visit our Siemens Home UK website.



Welcome home.



Cooking 8-51

Coffee centres	22-25
Single ovens with TFT touchDisplay Plus	30-31
Single ovens with TFT touchDisplay	32-33
Single ovens with TFT Display	34-35
Single ovens with lightControl illuminated dials	36-37
Double ovens with lightControl illuminated dials	38-39
Compact ovens with TFT touchDisplay Plus	40-41
Compact ovens with TFT touchDisplay	42-43
Compact ovens with TFT Display	44-45
Compact ovens with lightControl illuminated dials	46-47
Microwaves	48-49
Warming drawers	50
Accessories	51

Hobs 52-89

freeInduction hob	71
inductionAir hobs	72-73
flexInduction hobs	74-77
Induction hobs	78-81
quickLite ceramic hobs	82-83
Gas hobs	84-87
Domino hobs	88-89

Hoods 90-123

Ceiling hoods	104-105
downDraft hoods	106-107
Island hoods	108-109
Decorative hoods	110-111
Glass chimney hoods	112-113
Box chimney hoods	114-115
Pyramid hoods	116-117
Telescopic hoods	118-119
Canopy hoods	120-121
Integrated hoods	122-123

Cooling 124-153

aCool fridges	140-141
aCool freezers and wine coolers	142-143
American fridge freezers	144-145
noFrost bottom fridge freezers	146-147
lowFrost bottom fridge freezers	148-149
Single door fridges and freezers	150-153

Dishwashers 154-169

Fully integrated	166-168
Slimline	169

Home laundry 170-177

Washing machines	176
Washer dryers	177

Services 178-179

Contact us	179
Register your manufacturer's warranty	179

Like and follow us on social media for the latest updates about our products, features and innovations.

Search Siemens Home UK



Or visit our website at siemens-home.bsh-group.com/uk to find out more about our products and current offers

Every connection lets your world grow.

To learn more about this technology visit siemens-home.bsh-group.com/uk

Take the next step into the future: Discover how new connections redefine your daily life with Siemens and Home Connect.

Wi-Fi enabled Home Appliances can already be operated through the Home Connect App, and now this technology connects your appliances with services of different partners – turning your house into a connected home.

This connectivity creates new possibilities and opportunities in your living space; such as changing the colour of your cooker hood to change the ambience of the kitchen, or setting up your oven using Amazon Alexa voice control, technology which both enriches and offers you more time and flexibility.



Ovens and Coffee Centre

- **recipeWorld:** Discover a large and delicious variety of Siemens approved recipes. Select your favourite via the app and send the settings directly to the oven, straight from your mobile, tablet or smart device.
- **coffeeWorld:** Explore a wide range of additional coffee specialties from all around the world. Select your choice via the app and send the drink instruction straight to your coffee machine.
- **coffeePlaylist:** Impress your guests by asking them to submit their coffee preferences via the app. Transfer the beverage list remotely to the coffee machine and the drinks will be prepared one after the other.
- Operate the oven and coffee machine intuitively from wherever you are, for instance preheat your oven while you are on your way home or rinse your coffee machine from your bed when you wake up in the morning, ready for the day ahead.

Hobs and Hoods

- **emotionLight Pro:** Change the ambience of the kitchen by projecting a different colour of light from your hood. Access up to 256 colours via the Home Connect App, perfect for parties.
- **Cooking assistant:** Use the assist tab on the Home Connect App when using the hob to help you find or select cooking methods. Send the settings directly to your hob for easier and quicker evening meals.
- With both hobs and hoods you can conveniently monitor your appliances' cooking status, turn appliances on or off or change the cooking settings via your Home Connect App, from wherever you are.
- Push notifications are a helpful guide notifying you when your appliance needs maintenance attention, such as letting you know when the filters need replacing.

Washing Machines and Tumble Dryers

- **easyStart:** select from 5 easy options via the Home Connect App to identify the best wash or drying setting. Send this cycle type direct from your app to the machine.
- Operate laundry appliances from wherever you are and receive push notifications when the cycle is finished and, for our i-Dos model, whenever the fill status of detergent or fabric softener is getting low.

Fridge Freezers

- **Camera in the fridge:** Plan ahead by checking the contents of your fridge from wherever you are. Our fridge freezer model KG36NH132 has two cameras in the fridge that regularly send updated internal fridge photographs to the Home Connect App allowing you to peer inside and plan ahead, even if you are at work or on your commute.
- Manage your appliance remotely and intuitively select and activate the ideal setting for your refrigerator. Whether you are returning from a food shop or boarding a flight, adjust your fridge temperature or setting directly using the app. Receive helpful push notifications directly to your app, such as when you leave the door open.

Dishwashers

- **easyStart:** simply select the kind of dishes and your cleaning preference on the app and Home Connect will suggest the correct cycle for your load, making chores stress free and straightforward.
- Identify the most efficient wash for your load and access the whole programme offering through the app. With descriptions for each setting, use the app to help you identify the right wash for your cycle and send the load instructions straight to your machine.
- Operate the dishwasher from wherever you are to fit around your lifestyle. Check the wash time, receive push notifications to your mobile for machine maintenance or even start the machine remotely when out of home.



Try demo

If you haven't yet registered appliances on the app you can still try out the demo function to get a better understanding of the features available to you.

To experience the demo mode download the free Home Connect app and then press and hold 'Try demo' on the app's home screen.

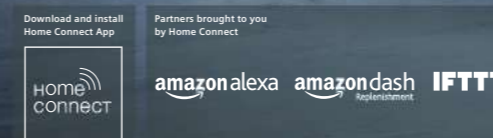


Image represents our Home Connect campaign. For more details about Siemens freestanding appliances please refer to our website: siemens-home.bsh-group.com/uk

Our world has turned into an ever-growing network of partner services, to help you turn your house into a fully connected home.

Raise your voice and reduce your efforts with Amazon Alexa.

Food and ambience are equally important when it comes to pleasing your guests, but how can you be in two places at the same time – preparing dishes in the kitchen, whilst entertaining in the living room? Now with Home Connect and the right partner, it just became possible. Amazon Alexa enables you to voice-control various home appliances. With just one command, you can start the laundry program, preheat the oven, check the dishwashing progress or ask for your favourite coffee. A world of exciting possibilities awaits – just ask Alexa.

There are more important things to think of than dishwasher tablets.

Make life easier with Amazon Dash Replenishment.

Replenishing consumables is a small thing, but it can also become a big thing when you discover that you've just run out of essentials like dishwasher tablets. Discover the seamless way of managing dishwashing cycles by getting tablets automatically delivered to you, with the Home Connect App and your selected online shopping partners. By monitoring the number of dishwashing cycles, the system intelligently reorders dishwasher detergent for you, just in time, and with total convenience.

Define your unique with IFTTT

With IFTTT (If This Then That), you can integrate your Home Connect appliances seamlessly into your life and allow them to communicate with one another, allowing you to create your own automated applets which are perfectly tailored to your needs. Design bespoke triggers, for example, connect your coffee machine to your smart watch and your sleeping rhythm will then be recorded and directly sent to your coffee machine, which can then prepare you the most appropriate morning coffee - a double espresso after a rough night, or a latte after a good rest. There are so many possibilities to be creative; the smart lamp in your living room blinks when the laundry is done, the hood emotionLight lights up when your dinner is ready... Be inspired by checking the IFTTT partner app to learn about the latest "triggers" available.

Models shown above: **SN678D06TG** fully integrated dishwasher, **CT636LE56** coffee centre, **BI630CNS1B** warming drawer, **HN678GES6B** single oven, **LC91KWW60B** angled hood, **WM4UH640GB** freestanding avantgarde washing machine, **WT7XH940GB** freestanding avantgarde tumble dryer and **KG36NA145** freestanding fridge freezer.



Exclusive to studioLine partner showrooms:

We work closely with selected studioLine partners to both present and demonstrate working studioLine models in store. See this exclusive range in beautifully designed kitchen showrooms and talk to knowledgeable designers, trained to explain all the features and benefits to you. There are studioLine showrooms across the country, to find one near you visit our Dealer locator, via our Siemens Home UK website: siemens-home.bsh-group.com/uk

Models shown: **HN878G4B6B** single oven, **CN878G4B6B** compact oven and **BI830CNB1B** warming drawer

Experience the elite studioLine.

For those who want to set themselves apart from every standard.

The studioLine kitchen: enjoy elegance and exclusivity with appliances that all line up perfectly to create a guaranteed design statement. Enjoy superior design and cutting-edge functionality in your kitchen. The classic and iconic studioLine appliances with their black glass and blackSteel fascia will compliment any high end kitchen design. The studioLine models all elegantly feature the studioLine signature just underneath the Siemens logo.

StudioLine offers a complete kitchen solution with innovative technology such as cooking with sous-vide using the vaccum drawer, and cooking without zones on the freeInduction hob.

Explore the full range

Cooking – pages 26-29

Hobs – pages 68-70

Hoods – pages 100-103

Cooling – pages 134-139

Dishwashers – pages 164-165

studioLine

Visit our website siemens-home.bsh.com/uk for more information and to find a studioLine retailer near you.

The perfect line up. Coordinated and intuitive cooking experiences.



Models shown: HN878G4B6B single oven, CT868LEB6 coffee machine, BI830CNB1B warming drawer, HB878GBB6B single oven

From ovens to warming drawers and coffee centres Siemens clean lines and matching appliances allow for perfect design coordination.

Ovens

With stylish design Siemens built-in ovens are designed to impress, ensuring a sleek finish when coordinated with other Siemens appliances. Their ability to be installed independently allows full flexibility to fit appliances under work surfaces, in tall units or in a bank with other appliances. These multiple combinations mean that you have full freedom with your kitchen design, not to mention state-of-the-art technology and features which save you time when cooking.

Compacts

With the variety of appliances in our compact built-in range, Siemens provides a combination of options to suit your preferences, while delivering complete visual perfection. Siemens 45cm and 36cm high compact appliances allow for a full array of cooking experiences. Depending on the range and model, compact ovens are available with steam or integrated microwave, offering space-saving design without compromising on style or utility.

Siemens oven and compacts warranties:

2 Year Warranty
A Two Year Warranty is available on all Siemens ovens and compact appliances listed in this brochure to protect against manufacturing and material faults during this warranty period.
To find out more about your warranty and for registration please refer to page 179.



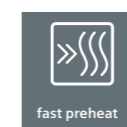
Energy efficient ovens*
Most Siemens single ovens achieve a European Class A+ rating for energy efficiency. Siemens double ovens have a rating of between A and B. For better efficiency, certain models feature the hotairGentle and conventional heat Gentle functions.

*For individual product energy efficiency ratings please check the product technical specifications.

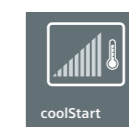
Key features within the iQ700 and iQ500 range



varioSpeed
Twice as fast in combination: by adding the integrated microwave function to a conventional cooking option, you can speed up the preparation of your dishes without compromising on the quality.



fast preheat
No more tedious waiting for the oven to get to the right temperature!
When you need it, just switch on fast preheating. By activating multiple heating elements simultaneously, Siemens ovens with fast preheating get to the desired temperature very quickly.



coolStart
Cooking certain frozen foods in the oven is now even faster – thanks to the innovative coolStart function. Without the need to wait for the oven to reach the set temperature, you can successfully cook frozen foods without preheating, while still using the recommended cooking time.



Sleek in design, intuitive in operation.



Electronic control

Depending on the function selected, the oven will suggest a suitable temperature which can be manually adjusted. The selected temperature is displayed digitally and a heating up indicator shows the progress towards the set temperature; the same indicator shows residual heat once the oven is turned off. Get quick access to performance features like cookControl and cookControl plus whilst being safe in the knowledge that if left unadjusted for a period of time, the oven will switch off automatically.



Sabbath setting

All models with electronic control have Sabbath function. This setting is specifically designed to assist with certain religious requirements. It allows the oven to be set for a maximum of 73 hours at 140°C to keep pre-prepared food warm. The oven door can be opened and closed without the display changing or causing changes to the heating and cooling fans.



Everything put in a good light.

Depending on the model, there are different kinds of illumination inside the oven. Whether it's the standard Halogen light, LEDs or the most advanced Multilevel LED strip, they all provide a brilliant view of your dishes without having to open the oven door.

Thanks to activeClean® and ecoClean® by Siemens, cleaning your oven becomes simple and effortless.



Ovens with activeClean®

Enjoy preparing food without worrying about the consequences. Baked on food and grease can be removed at the push of a button without any need for chemical treatments. Hassle-free, the oven cleans itself thoroughly with activeClean®. It does so by heating up to a very high temperature – turning all residues into ash, which can easily be wiped away. This process is called pyrolytic and is the most convenient and efficient way to clean the whole interior of your oven. activeClean® makes it possible to forget about the chore of cleaning your oven and gives you back your time to spend on the things you love.

For iQ700, the telescopic rails and full width enameled pan are specially designed to be used with activeClean® so you don't need to remove them at all. Only the wire shelf needs to be removed.



Ovens with ecoClean®

A special coating applied directly to the inside of the oven (please check specification of individual models), ecoClean® makes cleaning the oven easy. The coated area cleans itself while the oven is on and models with back, roof and side coating benefit from a special cleaning programme.



Cleaning and de-scaling

Finished with a durable enameled interior, most Siemens compact45 combination ovens with steam feature dedicated cleaning and de-scaling programmes.



Drying programme

Saving the effort of wiping down the steam oven after use, the drying programme removes left over humidity inside the cavity of the oven by heating up for approximately 10 minutes.



activeClean® – ovens that clean themselves

Uncompromising design and technology: iQ700.

Introducing features unique to the Siemens iQ700 ovens and compact appliances range.

Display options available for iQ700 Ovens and Compacts

The iQ700 range has three differing fascia designs each featuring TFT displays with products designed to complement each other and coordinate effortlessly in your kitchen. Thanks to the simple menu structure optimised for convenient and easy-to-use touch navigation, it's even easier to select the perfect settings. Designed to serve one purpose: giving you full control.



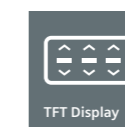
TFT touchDisplay Plus

The TFT touchDisplay Plus offers more than just control of your oven. It gives tips and information on each programme, full colour graphics and images, it can even suggest the correct way to cook your dishes with cookControl Plus. Clear to read from any angle, it's advanced yet easy-to-use technology for effortless cooking.



TFT touchDisplay

The slightly smaller TFT touchDisplay offers all the functionality of a touchscreen display with crisp text and images.



TFT Display

The TFT Display can be operated with touchControl buttons either side of the screen, yet still has clear programme information.

iQ700 appliance display type compatibility

		iQ700 SINGLE OVENS			
		HN878G4B6B HB878GBB6B HS858GX6B6	HM678GES6B HM678G456B HR678GES6B HB678GBS6B HS658GES6B	HM676G056B HR676GBS6B HB676GBS6B HM656GNS6B HB656GBS6B	HB672G851B HB632G851B
iQ700 COMPACTS	CS858GRB7B	TFT touchDisplay Plus	■		
	CS656GBS7B	TFT touchDisplay		■	
	CD634GAS0B ¹	TFT Display			■
	CD634GBS1B ¹	TFT Display			■
	CN878G4B6B	TFT touchDisplay Plus	■		
	CM878G4B6B	TFT touchDisplay Plus	■		
	CM678G456B	TFT touchDisplay Plus		■	
	CM676GBS6B	TFT touchDisplay		■	
	CM656GBS6B	TFT touchDisplay		■	
	CM633GBS1B	TFT Display			■
	CT836LEB6	TFT touchDisplay	■ ²		
	CT636LE56	TFT touchDisplay		■ ²	■ ²
	CF634AGS1B	TFT Display			■
	BE634LGS1B	TFT Display			■
	BF634LGS1B	TFT Display			■
	BV830ENB1B		■		
	BI830CNB1B		■		
	BI630DNS1B			■	■
BI630CNS1B			■	■	

¹ CD634GAS0B replaces CD634BS1B Autumn 2019 ² Design compatible display

iQ700 ovens and compacts are designed to complement one another.

Whether you are looking for a single oven with an easy clean solution such as activeClean, an oven with steam function or you may be considering an additional compact model with integral microwave to act as a second oven, Siemens has options for every need.

Steam and added steam cooking has increased in popularity in the past few years. Not only does this offer a more healthy cooking option, steam also retains vitamins and nutrients as well as maintaining the visual appeal of many foods.

The Siemens compact steamer and steam combination ovens provide the benefit of steam together with perfect design coordination.

If coffee is your passion, then why not opt for the Siemens coffee centre – designed to coordinate with the iQ700 range, this versatile machine will provide a variety of specialist coffees at the touch of a button.

The Siemens iQ700 range also includes warming drawers. Primarily designed to pre-heat crockery and keep cooked food warm, these drawers can also slow cook, prove dough and defrost. Available in 14cm or 29cm high options, they combine perfectly with single ovens and 45cm compact models in column or side by side in block installations. For optimum design coordination, choose iQ700 models with matching TFT displays.



Models shown above: **CM678G4S6B** compact steam combination oven with integral microwave, **BI630CNS1B** warming and accessory drawer and **HM678G456B** single multi-function oven



Models shown: **CM678G4S6B** compact steam combination oven with integral microwave, **BI630CNS1B** warming and accessory drawer and **HM678G456B** single multi-function oven



Enhanced cooking experiences with Home Connect.

Home Connect

Control your oven at the touch of an app: the Home Connect app gives you the ability to control your oven away from home remotely, for instance you can now preheat the oven on your way home. You can also control the temperature of your oven, change the cook setting, change the duration of the cooking time and even set up an oven cleaning mode from the comfort of the app.

recipeWorld

Explore an ever growing range of Siemens style recipes available on the app. Send cooking instructions for those recipes directly from the app to the appliance. The appliance will adjust the cooking time, speed and intensity based on the recipe selected.

Use voice control

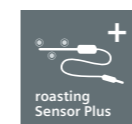
Pair Amazon Alexa to your appliance and control it just by using your voice. For instance ask Alexa to change the temperature setting of the oven, or find out how much cooking time is left.

Personalise your home

With our partner app IFTTT create applets that can enhance your lifestyle. You can now use Home Connect alongside other smart home technologies that are also linked with the IFTTT app, such as lighting or music systems to create a truly connected home. For instance set up an applet to ask your lights to change colour when your dinner is ready or ask your music system to play your favourite song when your oven starts cooking - adding extra excitement and entertainment to the cooking process.

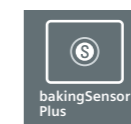
Discover more about Home Connect by visiting siemens-home.bsh-group.com/uk

More to explore. Achieve the best results.



Easier than ever before: roastingSensor Plus

Thanks to three measuring points, the innovative roasting thermometer is able to precisely and reliably measure the core temperature of your dishes. This allows you to use it with a wider range of foods. Ideal for meat, poultry and fish, it can even be combined with the integrated microwave and the pulseSteam function. Without the need to keep checking, the roastingSensor Plus gives you the freedom to get on with the rest of your cooking. Within the iQ500 range there is the roastingSensor; a temperature probe with one measuring point, so for leaner cuts of meat you can roast without worry.



bakingSensor Plus

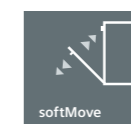
An oven that can detect when the baking process is complete: with bakingSensor Plus, all that is left for you to do when baking is to prepare the pastry or mix and select the required dish. Innovative sensor technology fitted inside selected iQ700 ovens can automatically control the baking process for consistently delicious baking. The bakingSensor constantly measures the moisture levels in the oven interior and is therefore able to tell you when the dish is fully cooked and ready.

The ideal kitchen helper.



cookControl Plus

Make perfect preparation easier than ever before. Select your chosen dish and enter the weight. The oven will then provide individual setting recommendations for perfect preparation of your dish ensuring the best results for a wide range of dishes, every time.



softMove

For smooth operation, when you open or close your oven door the intelligent dampers ensure that the oven door is left to open and close gently and quietly. Available on all iQ700 built-in ovens.

This automatic cooking offers up to 70 programmes to ensure meat and fish are cooked to perfection. If you're using a roastingSensor or bakingSensor, cookControl Plus will automatically suggest the mode, time and temperature for your cooking. So why make it complicated when it can be simple?



roastingSensor Plus



softMove



Models shown: **HN678G4S6B** single oven, **CT636LES6** coffee machine, **BI630CNS1B** warming drawer, **CM678G4S6B** compact oven, **BI630CNS1B** warming drawer

Steam cooking. The healthy way to cook



fullSteam

With the Siemens HS858GXB6B and HS658GES6B multifunction fullSteam ovens you can prepare delicious and healthy vitamin-rich dishes. Choose the fullSteam option from the 15 different functions and use only hot steam to cook the food, which is perfect for rice, fish and vegetables. You therefore retain the food's full flavour, colour, vitamins and minerals while cooking without fat or oil. The iQ700 oven is easy to use, even for someone who has never cooked with steam before. fullSteam functionality is also available on Siemens compact oven models CS858GRB7B, CS656GBS7B, CD634GBS1B, CP465AGB0B and CP565AGS0B.



pulseSteam

Siemens ovens and compact appliances with pulseSteam are real all-rounders for more flexibility with your cooking. It's easy to cook with steam while baking and roasting with hot air – with multifunction options you have the perfect cooking method for any food, preserving everything that is important: flavour, smell, texture, vitamins and nutrients. Siemens combi-steam ovens don't just work with hot air but also with top and bottom heating and grilling, so bread, cakes and roasts come out just right too: crisp on the outside and moist on the inside.

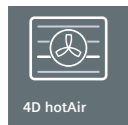
How does it work?

Siemens steam and steam combination ovens are quick and easy to install as they do not require plumbing-in. Our fullSteam ovens have the temperature range indicated; whereas our pulseSteam models have three intensity levels which can be adjusted, depending on what is being cooked.

The removable 1 litre water tank (1.3 litre for compact steamer) is accessed behind the semi-automatic control panel making it more convenient and easier to refill, even during cooking. Water is heated by a fast and efficient steam generator before being introduced into the oven. Thermostatic controls allow a pure steam temperature of 30 – 100°C.



Model shown: **HR678GES6B** single oven



4D hotAir

Be flexible with your cooking. The innovative technology of the fan motor enables optimum heat distribution around the interior of the oven, as the oven is programmed to change the rotating direction of the fan every few minutes. Due to even distribution of heat within the cavity cooking on up to 4 shelf levels is possible. Your food therefore always turns out perfectly, just as you want it, no matter which shelf you choose to place it on.

Rail Systems: The perfect accessories, designed especially for your iQ700 oven.

We supply accessories that help make cooking easier and more enjoyable for you. Great for tailoring your oven to your individual needs offering ease of use and flexible cooking options to help you create the perfect dish.



iQ700 telescopic rails

Selected Siemens iQ700 ovens offer a single level, fully extendable telescopic rail¹. Designed to glide smoothly and effortlessly out of the oven, these rails offer clear and comfortable access to tend to your food during cooking and to remove the food once cooked without having to reach into the hot oven. Optional single or triple telescopic rail sets are available for all models in the iQ700 range², including versions suited to pyrolytic models which can remain in the appliance during the cleaning cycle, allowing you to effortlessly clean the oven and the rails at the same time.

¹ Please see product descriptions for models that have the rails as standard

² Telescopic rails are not available as optional accessories on ovens with integral microwave



Fixed level telescopic rails



Your time is precious. Make more of it: iQ500.



Models shown: HB478GCB0B studioLine iQ500 single oven and LC67BHM50B 60cm box chimney hood

Get more time for outstanding cooking creations – with a wide range of innovative speed solutions.

Featuring more traditional, yet stylish, illuminated and easy to use control dials, the coordinated lightControl design allows the single ovens, built-in/under double ovens, compact microwave combination ovens, built-in microwave ovens, and warming drawers to be installed together, both vertically and horizontally*.

Siemens offers a choice of three coordinating iQ500 45cm compact microwave combination ovens, each featuring the same striking blue and white lightControl display as the five iQ500 single ovens. Within this range are 3 studioLine iQ500 appliances.

The standard microwave combination oven features a large 36cm diameter turntable and microwave combination cooking options. Alternatively, the innovative CP565AGS0B features not only microwave and oven functionality, but also full steam and steam combination options – the ultimate in combination cooking and

perfect for maximising your options if space is a premium. New to the range is the studioLine CP465AGB0B which offers an extra edge in terms of design with its blackSteel fascia. Compact combination ovens are complemented by a 14cm high warming drawer to ensure complete iQ500 design coordination.

If you just need a microwave, the iQ500 range is completed by two design coordinated solo microwaves – a 25L version for installation in tall housing and a smaller 20L model design to fit into 30cm deep wall cupboards.

*Horizontal combinations for single ovens and 45cm compact appliances only.

Operation meets fascination:



lightControl

The new lightControl dial highlights the chosen heating symbol with a striking blue light – making operating the oven into an intuitive and exciting experience. The design is consistent throughout the iQ500 range, meaning whether you are selecting a cooking function on a single oven, or introducing steam to the 3 in 1 microwave combination compact appliance, lightControl dials will illuminate whichever function you need.



iQ500 appliance display type compatibility

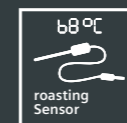
		iQ500 SINGLE OVENS				
VIB		HB478GCB0B	HB458GCB0B	HB578G5S0B	HB578A0S0B	HB535A0S0B
Display type		lightControl	lightControl	lightControl	lightControl	lightControl
iQ500 COMPACTS	CP465AGS0B	■	■			
	CP565AGS0B			■	■	■
	CM585AMS0B			■	■	■
	BF555LMS0B			■	■	■
	BF525LMS0B			■	■	■
	BI510CNR0B	■	■	■	■	■

Guarantee the best cooking results:



cookControl

Providing automatic programmes for mainly meat, poultry and fish. Available in either 10 programmes or 30 programmes, simply suggest the desired dish and enter the food's weight – everything else is done automatically.



roastingSensor

The roasting thermometer is able to precisely and reliably measure the internal temperature of your dishes. By getting an accurate reading of the core temperature of roasts and other foods, it can determine when they are perfectly done.



3D hotAir

With the 3D hotAir, you can cook on all three levels simultaneously. Your oven distributes the heat consistently and guarantees perfect baking results while preventing flavours and smells intermingling.

Introducing Siemens iQ500 double ovens.



Model shown:
MB578G550B built-in double oven

softClosing Door

Adding to the ambience of any kitchen, the softClosing Door, on selected iQ500 models, closes by gently cushioning the last few centimetres for minimal noise and maximum comfort. In addition, a softClosing Door ensures that items within the appliance are not disturbed from a heavy impact, avoiding unnecessary spills to clean.

iQ500 varioClip rails

Selected Siemens iQ500 single and double ovens¹ feature a pair of innovative varioClip telescopic rails. Intelligently designed with an easy release system, these rails can be unclipped and repositioned on any of the five shelf positions in the oven², allowing you to tailor the position to suit what you are cooking. Whether grilling bacon for breakfast on one of the higher positions, or opting for a lower rail position to cook the Sunday roast, these fully extendable rails perfectly combine flexibility and convenience. Additional pairs of varioClip rails are available as optional extras, allowing you to personalise the rail systems for your oven.



varioClip rails – designed to be released and repositioned quickly and easily

¹Please see product descriptions for models that have the rails as standard
²varioClip rails suited only to the main oven on double ovens



If you are looking for extra flexibility and more cooking space a Siemens iQ500 double oven is the perfect solution.

Entertain guests with a variety of different foods, baking dessert in the main oven whilst heating savoury dishes within the top oven. Sitting seamlessly within your furniture, kitchen space is maximized without sacrificing the extra cavity space.

Our double oven with activeClean® benefits.

A double oven with top of the range features. Built-in model MB578G550B features activeClean® in both the main and top cavity. activeClean® heats up the temperature of the oven to burn residue and allow for easy wipe away cleaning, saving you significant time when cleaning the oven. This model also includes the coolStart function, perfect for if you are always on the go and need to heat up meals quickly.

A built-under to fit beneath work surfaces.

Alternatively the built-in oven model NB535ABS0B with a fast preheat and 3D hotAir cooking available in the main oven cavity, allows you to cook different types of foods flexibly on up to 3 shelving positions, without tastes mingling. It's slightly smaller overall size means this double oven can also fit underneath the work surface – ideal if you require the benefit of two cooking cavities, but are limited for space in your kitchen.

Please check individual models for exact specifications.



MB578G550B built-in double activeClean® oven



NB535ABS0B built-under double oven

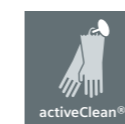
Key features of iQ500 double ovens:



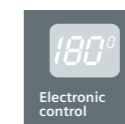
3D hotAir
Can cook all types of food on up to 3 levels simultaneously to stop flavours and smells intermingling.



ecoClean® liners
A direct coating that lines the inside of the oven, ecoClean® makes cleaning the oven easy. The coated area cleans itself while the oven is on or can be activated with a cleaning programme. Available either as a full coating on the back, roof and sides or exclusively on the back panel.



activeClean®
Heating the cavity up to 480°C, activeClean® burns away all dirt and grime to save time.



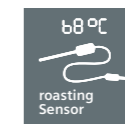
Electronic control
Depending on the function selected, the oven will suggest a suitable temperature which can be manually adjusted. The selected temperature is displayed digitally and a heating up indicator shows the progress towards the set temperature; the same indicator shows residual heat once the oven is turned off. Get quick access to performance features like cookControl and cookControl plus whilst being safe in the knowledge that if left unadjusted for a period of time, the oven will switch off automatically.



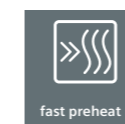
cookControl
provides automatic programmes for the perfect preparation of meat, fish, vegetables and bread. Simply select the desired dish and enter the food's weight – everything else is done automatically. Either 10 or 30 programmes available, depending on the model.



coolStart
No more preheating when cooking frozen convenience food. Using an intelligent heating phase, it's now possible to cook frozen food without waiting for the oven to preheat.



roastingSensor
By getting an accurate reading of the core temperature of roasts and other foods, the roastingSensor can precisely and reliably measure the internal temperature of your dishes to determine when they are perfectly done.



fast preheat
By activating all heating elements simultaneously, Siemens ovens with fast preheating get to the desired temperature very quickly.

Explore compact ovens and microwaves.

Microwave Combination Ovens*

These models are designed to provide more functionality than a solo microwave oven, focussing on combination cooking, with the microwave using higher power (max. 600W) to lead the cooking process, supported by hot air or grill functions to deliver speedy crisp and browned results. Based around a more traditional microwave functionality these models offer the perfect solution if regular microwave heating is the priority, but with the back-up of separate or combination hot air cooking and grill functionality if required.

Ovens with integral microwave*

When teamed with a single oven, Siemens compact ovens with microwave offer a great alternative to a double oven if you require more space for traditional cooking. Designed first and foremost to function as an oven, with construction, features and functions identical to a traditional single oven, these models benefit from the addition of microwaves at low medium power (max. 360W) to deliver oven-led combination cooking. Our varioSpeed faster cooking feature speeds up the cooking process while retaining traditional cooking results.

*These models are designed to operate best in combination mode, so when heating using microwave only, it may be necessary to adjust cooking times.

Compact Ovens with Steam

Looking for healthier cooking options? The Siemens range of compact ovens with steam allow you to enjoy healthier meals using the power of steam to deliver juicier meats, crisped and fluffy baked items and vegetables that retain more of their vibrant colours, vitamins and nutrients. Siemens fullSteam models offer pure steam cooking, plus many models also offer pulseSteam – pulses of steam are injected into the oven to work in tandem with traditional cooking functions. Please check individual models for exact specifications.

Inverter Technology

Inverter Technology delivers microwave power constantly while cooking – other, traditional microwaves are only able to deliver maximum power and manage the differing settings by alternating between on and off for specific time periods. This can result in uneven heating or over-cooked food and can be especially damaging to more delicate foods or smaller portions.

With Inverter technology, the microwave delivers power constantly, gradually managing the power levels down over time in order to control the food temperature. This gentle approach to cooking reduces uneven heating or overheated food and is especially beneficial for delicate foods. It may be necessary to adjust cooking times to ensure foods are thoroughly cooked before serving.

Siemens recommends that the maximum power setting be used for heating liquids and the microwave is calibrated to provide a burst of high power initially, before managing the power down in stages to the next level over the first few minutes.



CM676GBS6B compact oven with integral microwave



CP565AGS0B compact microwave combination oven with steam



CM878G4B6B compact pyrolytic oven with integral microwave



Models shown:
HN678GES6B iQ700 single oven with integral microwave,
CM678G4S6B iQ700 compact oven with integral microwave
and BI630CNS1B iQ700 warming drawer

Warming drawers

Perfect for warming plates, a Siemens warming drawer will keep food warm for latecomers – as well as keeping plates at an optimum temperature to ensure hot food keeps its warmth when plated. With adjustable temperatures of 40-80°C, a four-setting iQ700 14cm or 29cm high warming drawer can be installed as a standalone appliance, or acts as the perfect accompaniment to Siemens iQ700 ovens and compacts. The iQ500 range also includes a 14cm high warming drawer featuring 3 settings, designed to coordinate with Siemens iQ500 ovens and compacts.

The perfect line up of an oven, compact appliance with warming drawer is sure to bring style and elegance to any refined kitchen space.



BI510CNR0B iQ500 warming drawer

Pure precision for perfect coffee indulgence.

Immerse yourself in the world of Siemens coffee. Kick-start your day or finish it in a relaxed mood in the evening. No matter how or when you prefer to enjoy your coffee Siemens has the right model. Such pleasure is made possible by the interaction of all components – a result of our years of experience and strong commitment to research and development.



Pure precision for perfect coffee indulgence with our built-in coffee machines.

Stunningly, uniquely Siemens, our iQ700 built-in coffee centres convey an elegant impression of absolute quality and intelligent innovation for those passionate about coffee.

The design of the iQ700 coffee centres is perfectly aligned with the entire iQ700 series. To keep the sleek lines looking clean, all milk, water and bean containers are conveniently hidden behind the coffee centre's door, while the TFT touchDisplay and LED lights put each coffee in the spotlight.

Designed with easy access to the water tank, bean holder and insulated milk jug, the coffee centre has front access thanks to a hinged front panel – so it's quick to replace the water or beans. The milk tubes are also cleaned with steam after every coffee with milk and as most of the components are removable and dishwasher safe, they are also easy to clean. Easy to install, the machine requires no extra plumbing. Choose a built-in iQ700 coffee machine from our core collection or our top of the range studioLine collection.



Model shown: CT636LES6 built-in coffee centre with TFT touchDisplay



oneTouch function
No matter what coffee speciality you desire, whether it is latte macchiato, creamy cappuccino or extra-strong espresso, thanks to the oneTouch Function your fully automatic coffee machine can serve you up pure coffee indulgence at just the touch of a button – it's as easy as that. The system prepares coffee and milk specialities automatically – just how you like them. The perfect technology for a thoroughly indulgent coffee experience.



sensoFlow system
Different coffees require the espresso shot to be heated at a different temperature in order to achieve the perfect results. sensoFlow does this automatically, providing you with a delicious beverage again and again.

Enjoy the wide world of coffee. While relaxing on your sofa.

With Siemens EQ.9 700's bean-to-cup coffee machine and Built-in models with Home Connect, you can discover the world of great coffee in just one app and benefit from exclusive varieties and intuitive remote functions directly with a smartphone or tablet.

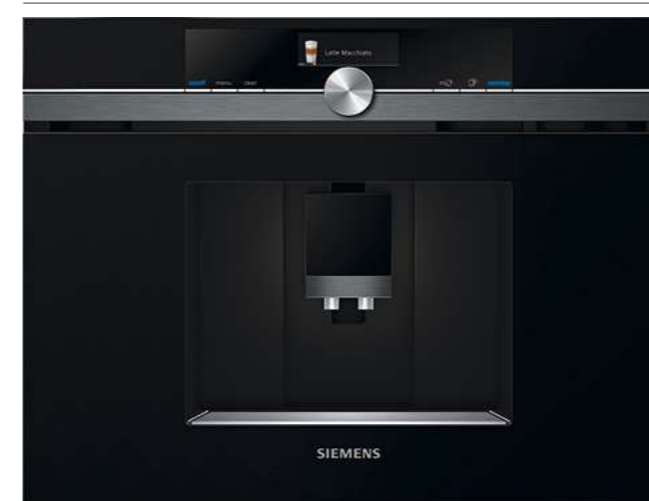
Home Connect

Explore new coffee varieties, by selecting drinks through the app, design coffee playlists so you and your guests can save drink preferences and send drinks to the machine so they are automatically prepared one after the other. Connected partners including Amazon Alexa, allow you to ask your coffee machine to make you a drink just by voice control whilst IFTTT allows you to create bespoke applets so that you can connect your coffee machine to other smart home appliances and create a fully connected home.



iQ700 CT836LEB6

Built-in coffee centre
Black



Built-in coffee centre specifications

APPLIANCE TYPE	COFFEE CENTRES – BUILT-IN	
	iQ700	iQ700
Design family	CT836LEB6	CT636LES6
Model number	CT836LEB6	CT636LES6
TFT touchDisplay	■	■
KEY FEATURES		
Home Connect	■	■
Electronic control	■	■
sensoFlow System	■	■
Aroma pressure system	■	■
Auto Valve System	■	■
AromaDoubleShot	■	■
Automatic steam blast milk cleaning function	■	■
One touch preparation	■	■
Ceramic coffee grinders	■	■
Multilevel grinding setting	■	■
Cup illumination	■	■
Height adjustable coffee & milk outlets (mm)	7-15	7-15
Adjustable automatic switch off setting	■	■
Integrated water filter	■	■
PROGRAMMES / FUNCTIONS		
my Coffee - personalised beverage settings	1 or 2 cup	1 or 2 cup
Milk foam	1 or 2 cup	1 or 2 cup
Hot water	1 or 2 cup	1 or 2 cup
Warm milk	1 or 2 cup	1 or 2 cup
Ristretto	1 or 2 cup	1 or 2 cup
Coffee	1 or 2 cup	1 or 2 cup
Espresso	1 or 2 cup	1 or 2 cup
Cappuccino	1 or 2 cup	1 or 2 cup
Latte Macchiato	1 or 2 cup	1 or 2 cup
Caffe latte	1 or 2 cup	1 or 2 cup
Espresso Macchiato	1 or 2 cup	1 or 2 cup
One touch function for milk drinks	■	■
Coffee / Hot water temperature options	3 / 4	3 / 4
Milk foam/fothing function	■ / ■	■ / ■
Warm Milk function	■	■
Cleaning / descaling / programmes	■ / ■	■ / ■
Automatic rinse when switched on/off	■ / ■	■ / ■
PERFORMANCE / TECHNICAL INFORMATION		
Installation in a tall housing	950-1450mm high	950-1450mm high
Side opening door (left hinged)	■	■
Brewing chamber volume (g)	8-12	8-12
Bean container capacity (g)	500	500
Ground coffee container	■	■
Water tank capacity (litres)	2.4	2.4
Total connected loading (W)	1600	1600
Cable length (in cm)	170	170
STANDARD ACCESSORIES		
Insulated Milk container capacity (litres)	0.5	0.5
Milk pipe	■	■
Coffee measuring spoon	■	■

UnEQualled coffee shop experiences. At home. In style.

Siemens EQ innovation. Your in-home barista.



Models shown: EQ.6 plus s700, EQ.9 plus s700 and EQ.3 s500 bean-to-cup coffee machines

Download and install Home Connect App Partners brought to you by Home Connect



Open your personal coffee bar and enjoy delicious barista-style drinks at home with our freestanding coffee machines.

Siemens are excited to introduce a new range of EQ fully automatic bean-to-cup coffee machines designed for those that settle for nothing less than exceptional coffee.

With intelligent iAroma technology, 3 key innovations are combined together in a high quality brewing unit to deliver truly sensational tasting beverages. These intuitive appliances stand out on any premium kitchen surface with their stunning design, elegant display panels and optimal usability. From the entry-level compact EQ.3 models to the fine-tuned Wi-Fi-connected EQ.9 model, rediscover your love for outstanding coffee with the new Siemens EQ range.

Introducing our top of the range machine: EQ.9 plus s700



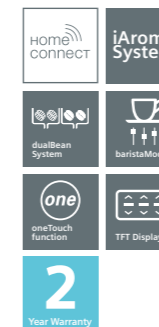
baristaMode: individualise your coffee creation
There are five essential parameters of baristaMode that contribute to the quality of coffee and espresso: coffee strength, amount, temperature, coffee-to-milk ratio and brewing speed. By switching to baristaMode, you can make even finer, fully customised adjustments to please any coffee taste. This optimised setting lets you celebrate the fine art of coffee preparation.



dualBean System: separate bean containers for a pure taste
Two separate coffee bean containers, each with its own grinder, ensure that your beans never get mixed up and guarantee that the desired flavour will always be achieved.

iQ700 TI9573X9RW

EQ.9 plus s700 freestanding bean-to-cup coffee machine Piano black and stainless steel



OneTouch doubleCup
Impress your guests with the simultaneous preparation of two coffee-milk specialities at once. Most of our range has an integrated coffee and milk outlet with double spouts, giving you a little more time to share your delicious coffee with friends.



TFT display
With a large, clear and colourful TFT display and disc control manage your drink preference easily and simply with our EQ.9 plus s700 machine.



Freestanding bean-to-cup coffee machine specifications

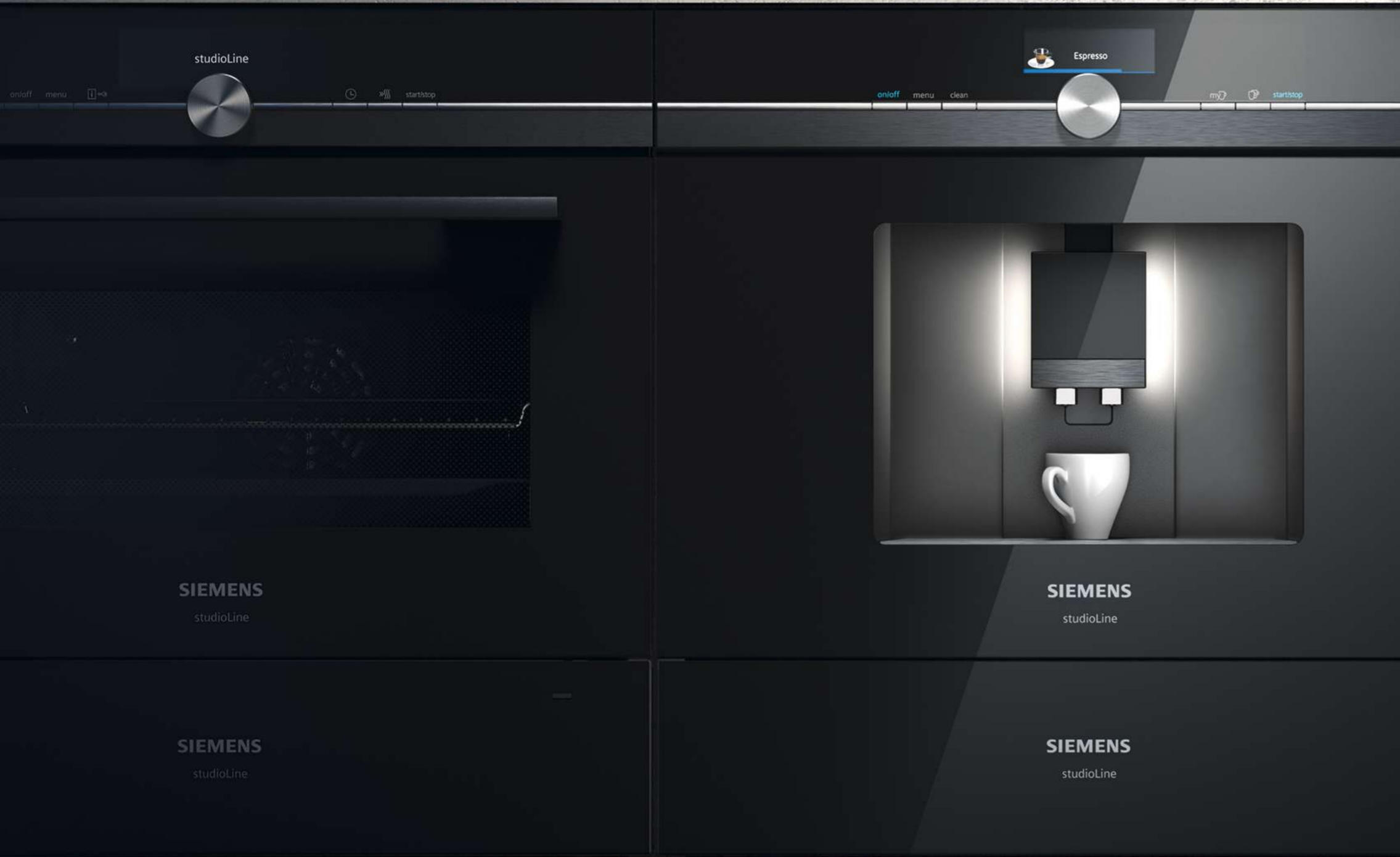
	EQ.9	EQ.6	EQ.3
Model name	EQ.9 plus, s700	EQ.9, S300	EQ.3 s100
Model number	TI9573X9RW	TI923309RW	TI301209RW
FEATURES			
Material / finish	Piano black front, stainless steel body	Piano black front, stainless steel body	Piano black
SensoFlow Heater	■	■	■
Ceramic grinder	Ceramdrive	Ceramdrive	Ceramdrive
Removable brewing unit	■	■	■
Pump Pressure	19 bar	19 bar	15 bar
Display	TFT	TFT	Text and symbol
Temperature settings	6	3	3
Noise level	Super silent	Super silent	Standard
Connectivity	Home Connect	No	-
User Profiles	10	6	0
Barista mode	■	-	-
Milk solution	Integrated	Integrated	In cup
Bean container capacity (g)	270 and 250	290	250
Water tank capacity (litres)	2.3	2.3	1.4
One touch drinks	■	■	■
Beverage choice	11+	8	4
One touch double cup	incl. milky drinks	incl. milky drinks	No
Strength settings	10 + 3	6	No
Coffee-milk ratio adjusts	■	■	-
Number of bean grinders	2	1	1
Cup warmer	-	-	-
Bean lid rubber seal	■	■	■
Brewing unit type	Spindle	Spindle	Spindle
Service door access	Side	Side	Front
Cup illumination	■	■	-

■ Yes, model has this feature. - Feature not available for this model.

For specification details, please visit siemens-home.bsh-group.com/uk and download a full specification sheet. For the full range of accessories please visit our online accessory shop on siemens-home.bsh-group.com/uk/shop or call our Spares Department on 0344 892 8999.

Perfect built-in design and incredible results with iQ700 studioLine.

studioLine



Designed for those who value the ultimate in style, innovation and intelligent features.

The characteristic look of the studioLine built in ovens, compacts, coffee machine and warming drawer range balances clean lines with intuitive controls and state-of-the-art technology for a unparalleled experience. Coordinated design, blackSteel handles, stainless steel disc controls and big and bright TFT touchDisplays combine to create a guaranteed design statement. The sleek stainless blackSteel appearance offers a solid, quality aesthetic and is used across the studioLine range so you can seamlessly match your cooking appliance to your coffee machine, hob and hood.

Exclusive to studioLine, prepare and cook food with the most exquisite flavours and delicate textures using the sous-vide setting and vacuum drawer.

Sous-vide means, food is cooked extremely tender with steam under constantly low temperatures. This unique cooking method saves vitamins and aromas.

This is achieved by vacuum sealing your ingredients in the Siemens vacuum drawer and leaving them to marinate before cooking gently on an exact low temperature in your HS858GXB6B studioLine single oven or CSA858GRB7B studioLine compact steam oven. This ensures that any moisture and flavour is fully absorbed into the food, for a gastronomic fine-dining experience in your own home.



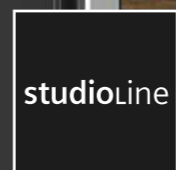
BV830ENB1B vacuum drawer

Models shown left: CS858GRB7B Compact Steam Oven with Sous Vide, BV830ENB1B Vacuum Drawer, CT836LEB6 built-in coffee centre, B1830CNS1B warming drawer



Cooking to perfection with iQ500 studioLine.

With two ovens and one compact appliance in the collection the iQ500 studioLine stunning range of appliances embraces the same signature black glass and blackSteel design aesthetic of the iQ700 range however offers a different control panel consisting of two blue illuminated lightControl discs. With premium features including cookControl and fast preheat, trend-setting stylish displays, intuitive controls and clear vibrant LCD interface the fashionable iQ500 studioLine range steals the show in any kitchen.



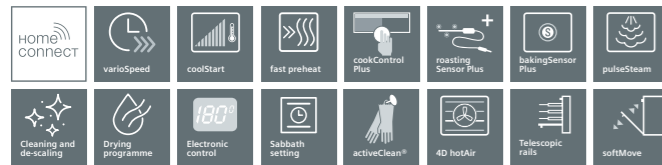
Model shown: HB478GCB0B single oven with activeClean

Single ovens

with TFT touchDisplay Plus

iQ 700 HN878G4B6B

Single oven with microwave and pulseSteam
blackSteel



2 Year Warranty



studioLine

Single ovens with TFT touchDisplay Plus specifications

APPLIANCE TYPE	PYROLYTIC OVEN WITH INTEGRAL MICROWAVE & PULSESTEAM	PYROLYTIC OVEN WITH INTEGRAL MICROWAVE & PULSESTEAM
Design family	iQ 700	iQ 700
Model number	HN878G4B6B	HN678GE56B
TFT touchDisplay Plus	■	■
TFT touchDisplay	-	-
TFT Display	-	-
lightControl illuminated dials	-	-
KEY FEATURES		
Home Connect	■	■
varioSpeed	■	■
coolStart	■	■
Fast pre-heating function	■	■
cookControl Plus	■	■
cookControl	-	-
roastingSensor Plus	■	■
roastingSensor	-	-
bakingSensor Plus	■	■
fullSteam	-	-
pulseSteam	■	■
Cleaning and de-scaling	■	■
Drying programme	■	■
Electronic control	■	■
Sabbath setting	■	■
activeClean® pyrolytic oven cleaning	■	■
Back / roof / side ecoClean® Direct liners	- / - / -	- / - / -
4D hotAir cooking	■	■
3D hotAir cooking	-	-
Telescopic rails	1 level	-
softMove door opening and closing	■	■
PERFORMANCE / TECHNICAL INFORMATION		
Oven capacity ² (litres)	67	67
Energy efficiency class ²	-	-
Energy consumption 4D hotAir (kWh) ²	-	-
Energy consumption conventional (kWh) ²	-	-
Time to cook standard load (mins)	-	-
Largest baking sheet area (cm)	1290	1290
Inverter technology	■	■
Max. Microwave power (W) ¹ / No. of power levels	800 / 5	800 / 5
Total connected loading (watts)	3600	3600
Cable length (cm)	120	120
ADDITIONAL PROGRAMMES / FUNCTIONS		
hotAirGentle / Conventional gentle	■ / ■	■ / ■
Full width / Centre surface grill	■ / ■	■ / ■
Hot air grilling / Pizza Setting	■ / ■	■ / ■
Conventional top & bottom heating	■	■
Bottom heat / Intensive heat	■ / ■	■ / ■
Keep warm / Plate warming	■ / ■	■ / ■
Low temperature cooking	■	■
Dehydrate	■	■
STANDARD ACCESSORIES		
Full width enamelled pan / wire shelves	1 / 2	1 / 2
Steam trays	-	-

■ Yes, model has this feature. - Feature not available for this model.

¹ For Inverter models, the maximum setting offers a time limited boost option for heating liquids. To ensure optimal results and to protect the appliance, the microwave power output is reduced in stages over the first few minutes down to the next power level (600W). After a cooling period, the microwave boost option will be available once more.

² Measured in accordance with EN50304; 65/2014



Single ovens with TFT touchDisplay Plus specifications

APPLIANCE TYPE	PYROLYTIC OVEN WITH INTEGRAL MICROWAVE	PYROLYTIC OVEN WITH PULSESTEAM	PYROLYTIC OVEN	PYROLYTIC OVEN	FULLSTEAM OVEN WITH ECOCLEAN® PLUS	FULLSTEAM OVEN WITH ECOCLEAN® PLUS
Design family	iQ 700	iQ 700	iQ 700	iQ 700	iQ 700	iQ 700
Model Number	HM678G456B	HR678GE56B	HB878GB86B	HB678GB56B	HS858GX86B	HS658GE56B
TFT touchDisplay Plus	■	■	■	■	■	■
TFT touchDisplay	-	-	-	-	-	-
TFT Display	-	-	-	-	-	-
lightControl illuminated dials	-	-	-	-	-	-
KEY FEATURES						
Home Connect	■	■	■	■	■	■
varioSpeed	■	-	-	-	-	-
coolStart	■	■	■	■	■	■
Fast pre-heating function	■	■	■	■	■	■
cookControl Plus	■	■	■	■	■	■
cookControl	-	-	-	-	-	-
roastingSensor Plus	■	■	■	■	■	■
roastingSensor	-	-	-	-	-	-
bakingSensor Plus	■	■	■	■	■	■
fullSteam	-	-	-	-	■	■
pulseSteam	-	■	-	-	■	■
Cleaning and de-scaling	-	■	-	-	■	■
Drying programme	-	■	-	-	■	■
Electronic control	■	■	■	■	■	■
Sabbath setting	■	■	■	■	■	■
activeClean® pyrolytic oven cleaning	■	■	■	■	-	-
Back / roof / side ecoClean® Direct liners	- / - / -	- / - / -	- / - / -	- / - / -	■ / ■ / ■	■ / ■ / ■
4D hotAir cooking	■	■	■	■	■	■
3D hotAir cooking	-	-	-	-	-	-
Telescopic rails	1 level	-	-	-	3 levels	-
softMove door opening and closing	■	■	■	■	■	■
PERFORMANCE / TECHNICAL INFORMATION						
Oven capacity ² (litres)	67	71	71	71	71	71
Energy efficiency class ²	-	A+	A+	A+	A+	A+
Energy consumption 4D hotAir (kWh) ²	-	0.69	0.69	0.69	0.69	0.69
Energy consumption conventional (kWh) ²	-	0.87	0.87	0.87	0.87	0.87
Time to cook standard load (mins)	-	44	44	44	40	40
Largest baking sheet area (cm)	1290	1290	1290	1290	1290	1290
Inverter technology	■	-	-	-	-	-
Max. Microwave power (W) ¹ / No. of power levels	800 / 5	-	-	-	-	-
Total connected loading (watts)	3600	3600	3600	3600	3450	3450
Cable length (cm)	120	120	120	120	120	120
ADDITIONAL PROGRAMMES / FUNCTIONS						
hotAirGentle / Conventional gentle	■ / ■	■ / ■	■ / ■	■ / ■	■ / ■	■ / ■
Full width / Centre surface grill	■ / ■	■ / ■	■ / ■	■ / ■	■ / ■	■ / ■
Hot air grilling / Pizza Setting	■ / ■	■ / ■	■ / ■	■ / ■	■ / ■	■ / ■
Conventional top & bottom heating	■	■	■	■	■	■
Bottom heat / Intensive heat	■ / ■	■ / ■	■ / ■	■ / ■	■ / ■	■ / ■
Keep warm / Plate warming	■ / ■	■ / ■	■ / ■	■ / ■	■ / ■	■ / ■
Low temperature cooking	■	■	■	■	■	■
Dehydrate	■	■	■	■	■	■
STANDARD ACCESSORIES						
Full width enamelled pan / wire shelves	1 / 2	1 / 2	1 / 2	1 / 2	1 / 2	1 / 2
Steam trays	-	-	-	-	2 x Small, 1 x Extra large	3

■ Yes, model has this feature. - Feature not available for this model.

¹ For Inverter models, the maximum setting offers a time limited boost option for heating liquids. To ensure optimal results and to protect the appliance, the microwave power output is reduced in stages over the first few minutes down to the next power level (600W). After a cooling period, the microwave boost option will be available once more.

² Measured in accordance with EN50304; 65/2014

Single ovens

with TFT touchDisplay

iQ 700 HM676G0S6B

Single multi-function oven
Black, stainless steel



2
Year Warranty



Single ovens with TFT touchDisplay specifications

APPLIANCE TYPE	PYROLYTIC OVEN WITH INTEGRAL MICROWAVE
Design family	iQ 700
Model number	HM676G0S6B
TFT touchDisplay Plus	-
TFT touchDisplay	■
TFT Display	-
lightControl illuminated dials	-
KEY FEATURES	
Home Connect	■
varioSpeed	■
coolStart	■
Fast pre-heating function	■
cookControl Plus	■
cookControl	-
roastingSensor Plus	-
roastingSensor	-
bakingSensor Plus	-
fullSteam	-
pulseSteam	-
Cleaning and de-scaling	-
Drying programme	-
Electronic control	■
Sabbath setting	■
activeClean® pyrolytic oven cleaning	■
Back / roof / side ecoClean® Direct liners	- / - / -
4D hotAir cooking	■
3D hotAir cooking	-
Telescopic rails	1 level
softMove door opening and closing	■
PERFORMANCE / TECHNICAL INFORMATION	
Oven capacity ² (litres)	67
Energy efficiency class ²	-
Energy consumption 4D hotAir (kWh) ²	-
Energy consumption conventional (kWh) ²	-
Time to cook standard load (mins)	-
Largest baking sheet area (cm)	1290
Inverter technology	■
Max. Microwave power (W) ¹ / No. of power levels	800 / 5
Total connected loading (watts)	3600
Cable length (cm)	120
ADDITIONAL PROGRAMMES / FUNCTIONS	
hotAirGentle / Conventional gentle	■ / ■
Full width / Centre surface grill	■ / ■
Hot air grilling / Pizza Setting	■ / ■
Conventional top & bottom heating	■
Bottom heat / Intensive heat	■ / -
Keep warm / Plate warming	■ / ■
Low temperature cooking	■
Dehydrate	-
STANDARD ACCESSORIES	
Full width enamelled pan / wire shelves	1 / 2
Steam trays	-

■ Yes, model has this feature. - Feature not available for this model.

¹ For Inverter models, the maximum setting offers a time limited boost option for heating liquids. To ensure optimal results and to protect the appliance, the microwave power output is reduced in stages over the first few minutes down to the next power level (600W). After a cooling period, the microwave boost option will be available once more.

² Measured in accordance with EN50304; 65/2014



Single ovens with TFT touchDisplay specifications

APPLIANCE TYPE	PYROLYTIC OVEN WITH PULSESTEAM	PYROLYTIC OVEN	PYROLYTIC OVEN WITH INTEGRAL MICROWAVE	OVEN WITH ECOCLEAN PLUS
Design family	iQ 700	iQ 700	iQ 700	iQ 700
Model number	HR676G8S6B	HB676G8S6B	HM656G8S6B	HB656G8S6B
TFT touchDisplay Plus	-	-	-	-
TFT touchDisplay	■	■	■	■
TFT Display	-	-	-	-
lightControl illuminated dials	-	-	-	-
KEY FEATURES				
Home Connect	■	■	■	■
varioSpeed	-	-	■	-
coolStart	■	■	■	■
Fast pre-heating function	■	■	■	■
cookControl Plus	■	■	■	■
cookControl	-	-	-	-
roastingSensor Plus	-	-	-	-
roastingSensor	-	-	-	-
bakingSensor Plus	-	-	-	-
fullSteam	-	-	-	-
pulseSteam	■	-	-	-
Cleaning and de-scaling	■	-	-	-
Drying programme	■	-	-	-
Electronic control	■	■	■	■
Sabbath setting	■	■	■	■
activeClean® pyrolytic oven cleaning	■	■	-	-
Back / roof / side ecoClean® Direct liners	- / - / -	- / - / -	■ / ■ / ■	■ / ■ / ■
4D hotAir cooking	■	■	■	■
3D hotAir cooking	-	-	-	-
Telescopic rails	-	-	1 level	-
softMove door opening and closing	■	■	■	■
PERFORMANCE / TECHNICAL INFORMATION				
Oven capacity ² (litres)	71	71	67	71
Energy efficiency class ²	A+	A+	-	A+
Energy consumption 4D hotAir (kWh) ²	0.69	0.69	-	0.69
Energy consumption conventional (kWh) ²	0.87	0.87	-	0.87
Time to cook standard load (mins)	44	44	-	44
Largest baking sheet area (cm)	1290	1290	1290	1290
Inverter technology	-	-	-	-
Max. Microwave power (W) ¹ / No. of power levels	-	-	800 / 5	-
Total connected loading (watts)	3600	3600	3600	3600
Cable length (cm)	120	120	120	120
ADDITIONAL PROGRAMMES / FUNCTIONS				
hotAirGentle / Conventional gentle	■ / ■	■ / ■	■ / ■	■ / ■
Full width / Centre surface grill	■ / ■	■ / ■	■ / ■	■ / ■
Hot air grilling / Pizza Setting	■ / ■	■ / ■	■ / ■	■ / ■
Conventional top & bottom heating	■	■	■	■
Bottom heat / Intensive heat	■ / -	■ / -	■ / -	■ / -
Keep warm / Plate warming	■ / ■	■ / ■	■ / ■	■ / ■
Low temperature cooking	■	■	■	■
Dehydrate	-	-	-	-
STANDARD ACCESSORIES				
Full width enamelled pan / wire shelves	1 / 2	1 / 2	1 / 2	1 / 2
Steam trays	-	-	-	-

■ Yes, model has this feature. - Feature not available for this model.

¹ For Inverter models, the maximum setting offers a time limited boost option for heating liquids. To ensure optimal results and to protect the appliance, the microwave power output is reduced in stages over the first few minutes down to the next power level (600W). After a cooling period, the microwave boost option will be available once more.

² Measured in accordance with EN50304; 65/2014



Model shown: HB672GBS1B single oven

Single ovens

with TFT Display

iQ700 HB672GBS1B

Single multi-function oven
Black, stainless steel



2
Year Warranty



Single ovens with TFT Display specifications



APPLIANCE TYPE	PYROLYTIC OVEN	OVEN WITH ECOCLEAN
Design family	iQ700	iQ700
Model number	HB672GBS1B	HB632GBS1B
TFT touchDisplay Plus	-	-
TFT touchDisplay	-	-
TFT Display	■	■
lightControl illuminated dials	-	-
KEY FEATURES		
Home Connect	-	-
varioSpeed	-	-
coolStart	■	■
Fast pre-heating function	■	■
cookControl Plus	-	-
cookControl	-	-
roastingSensor Plus	-	-
roastingSensor	-	-
bakingSensor Plus	-	-
fullSteam	-	-
pulseSteam	-	-
Cleaning and de-scaling	-	-
Drying programme	-	-
Electronic control	■	■
Sabbath setting	■	■
activeClean® pyrolytic oven cleaning	■	-
Back / roof / side ecoClean® Direct liners	- / - / -	■ / - / -
4D hotAir cooking	■	■
3D hotAir cooking	-	-
Telescopic rails	-	-
softMove door opening and closing	■	■
PERFORMANCE / TECHNICAL INFORMATION		
Oven capacity ² (litres)	71	71
Energy efficiency class ²	A+	A+
Energy consumption 4D hotAir (kWh) ²	0.69	0.69
Energy consumption conventional (kWh) ²	0.87	0.87
Time to cook standard load (mins)	44	44
Largest baking sheet area (cm)	1290	1290
Inverter technology	-	-
Max. Microwave power (W) ¹ / No. of power levels	-	-
Total connected loading (watts)	3600	3600
Cable length (cm)	120	120
ADDITIONAL PROGRAMMES / FUNCTIONS		
hotairGentle / Conventional gentle	■ / ■	■ / ■
Full width / Centre surface grill	■ / -	■ / -
Hot air grilling / Pizza Setting	■ / ■	■ / ■
Conventional top & bottom heating	■	■
Bottom heat / Intensive heat	-	-
Keep warm / Plate warming	- / -	- / -
Low temperature cooking	-	-
Dehydrate	-	-
STANDARD ACCESSORIES		
Full width enamelled pan / wire shelves	1 / 2	1 / 2
Steam trays	-	-

■ Yes, model has this feature. - Feature not available for this model.

¹For Inverter models, the maximum setting offers a time limited boost option for heating liquids. To ensure optimal results and to protect the appliance, the microwave power output is reduced in stages over the first few minutes down to the next power level (600W). After a cooling period, the microwave boost option will be available once more.

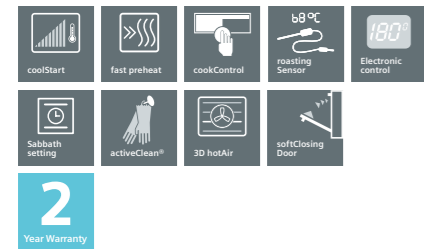
²Measured in accordance with with EN50304; 65/2014

Single ovens

with lightControl illuminated dials

iQ 500 HB478GCB0B

Single oven with activeClean
blackSteel



Single ovens with lightControl
illuminated dial specifications

APPLIANCE TYPE	PYROLYTIC OVEN
Display family	iQ 500
Model Number	HB478GCB0B
TFT touchDisplay Plus	-
TFT touchDisplay	-
TFT Display	-
lightControl illuminated dials	■
KEY FEATURES	
Home Connect	-
varioSpeed	-
coolStart	■
Fast pre-heating function	■
cookControl Plus	-
cookControl	30
roastingSensor Plus	-
roastingSensor	■
bakingSensor Plus	-
fullSteam	-
pulseSteam	-
Cleaning and de-scaling	-
Drying programme	-
Electronic control	■
Sabbath setting	■
activeClean® pyrolytic oven cleaning	■
Back / roof / side ecoClean® Direct liners	- / - / -
4D hotAir cooking	-
3D hotAir cooking	■
Telescopic rails	-
softMove door opening and closing	softClose
PERFORMANCE / TECHNICAL INFORMATION	
Oven capacity ² (litres)	71
Energy efficiency class ²	A
Energy consumption 4D hotAir (kWh) ²	0.81
Energy consumption conventional (kWh) ²	0.99
Time to cook standard load (mins)	50
Largest baking sheet area (cm)	1290
Inverter technology	-
Max. Microwave power (W) ¹ / No. of power levels	-
Total connected loading (watts)	3600
Cable length (cm)	120
ADDITIONAL PROGRAMMES / FUNCTIONS	
hotairGentle / Conventional gentle	■ / -
Full width / Centre surface grill	■ / -
Hot air grilling / Pizza Setting	■ / ■
Conventional top & bottom heating	■
Bottom heat / Intensive heat	■ / -
Keep warm / Plate warming	- / -
Low temperature cooking	■
Dehydrate	-
STANDARD ACCESSORIES	
Full width enamelled pan / wire shelves	1 / 2
Steam trays	-

■ Yes, model has this feature. - Feature not available for this model.

¹ For Inverter models, the maximum setting offers a time limited boost option for heating liquids. To ensure optimal results and to protect the appliance, the microwave power output is reduced in stages over the first few minutes down to the next power level (600W). After a cooling period, the microwave boost option will be available once more.

² Measured in accordance with EN50304; 65/2014

Single ovens with lightControl
illuminated dial specifications

APPLIANCE TYPE	PYROLYTIC OVEN	PYROLYTIC OVEN	OVEN WITH ECOCLEAN PLUS	OVEN WITH ECOCLEAN
Display family	iQ 500	iQ 500	iQ 500	iQ 500
Model Number	HB578G550B	HB578A050B	HB458GCB0B	HB535A050B
TFT touchDisplay Plus	-	-	-	-
TFT touchDisplay	-	-	-	-
TFT Display	-	-	-	-
lightControl illuminated dials	■	■	■	■
KEY FEATURES				
Home Connect	-	-	-	-
varioSpeed	-	-	-	-
coolStart	■	■	■	-
Fast pre-heating function	■	■	■	■
cookControl Plus	-	-	-	-
cookControl	30	30	30	10
roastingSensor Plus	-	-	-	-
roastingSensor	■	-	■	-
bakingSensor Plus	-	-	-	-
fullSteam	-	-	-	-
pulseSteam	-	-	-	-
Cleaning and de-scaling	-	-	-	-
Drying programme	-	-	-	-
Electronic control	■	■	■	-
Sabbath setting	■	■	■	-
activeClean® pyrolytic oven cleaning	■	■	-	-
Back / roof / side ecoClean® Direct liners	- / - / -	- / - / -	■ / ■ / ■	■ / - / -
4D hotAir cooking	-	-	-	-
3D hotAir cooking	■	-	■	■
Telescopic rails	1 x clip rail	1 x clip rail	-	1 x clip rail
softMove door opening and closing	softClose	-	softClose	-
PERFORMANCE / TECHNICAL INFORMATION				
Oven capacity ² (litres)	71	71	71	71
Energy efficiency class ²	A	A	A	A
Energy consumption 4D hotAir (kWh) ²	0.81	0.81	0.81	0.81
Energy consumption conventional (kWh) ²	0.99	0.99	0.99	0.99
Time to cook standard load (mins)	50	50	50	44
Largest baking sheet area (cm)	1290	1290	1290	1290
Inverter technology	-	-	-	-
Max. Microwave power (W) ¹ / No. of power levels	-	-	-	-
Total connected loading (watts)	3600	3600	3600	3600
Cable length (cm)	120	120	120	120
ADDITIONAL PROGRAMMES / FUNCTIONS				
hotairGentle / Conventional gentle	■ / -	■ / -	■ / -	■ / -
Full width / Centre surface grill	■ / -	■ / -	■ / -	■ / -
Hot air grilling / Pizza Setting	■ / ■	■ / ■	■ / ■	■ / -
Conventional top & bottom heating	■	■	■	■
Bottom heat / Intensive heat	■ / -	■ / -	■ / -	-
Keep warm / Plate warming	- / -	- / -	- / -	- / -
Low temperature cooking	■	■	■	-
Dehydrate	-	-	-	-
STANDARD ACCESSORIES				
Full width enamelled pan / wire shelves	1 / 2	1 / 2	1 / 2	1 / 2
Steam trays	-	-	-	-

■ Yes, model has this feature. - Feature not available for this model.

¹ For Inverter models, the maximum setting offers a time limited boost option for heating liquids. To ensure optimal results and to protect the appliance, the microwave power output is reduced in stages over the first few minutes down to the next power level (600W). After a cooling period, the microwave boost option will be available once more.

² Measured in accordance with EN50304; 65/2014

Double ovens

with lightControl illuminated dials

iQ 500 MB578G5S0B

Single oven with activeClean®
Black, stainless steel



2
Year Warranty



Double ovens with lightControl illuminated dial specifications

APPLIANCE TYPE	BUILT-IN	
	iQ 500	
Display family	iQ 500	
Model number	MB578G5S0B	
lightControl illuminated dials	■	
KEY FEATURES	MAIN	2ND
coolStart	■	-
Fast pre-heating function	■	-
cookControl	30	-
roastingSensor	■	-
Electronic control	■	■
Sabbath setting	■	■
activeClean® pyrolytic oven cleaning	■	■
Back / roof / side ecoClean® liners	- / - / -	- / - / -
3D hotAir cooking	■	-
Telescopic rails	1 x clip rail	-
softClose door	■	-
PERFORMANCE / TECHNICAL INFORMATION	MAIN	2ND
Oven capacity ¹ (litres)	71	34
Energy efficiency class ^{1,2}	A	B
Energy consumption 4D hotAir (kWh)	0.81	-
Energy consumption conventional (kWh)	0.97	0.83
Time to cook standard load (mins)	44	45
Largest baking sheet area (cm)	1290	1290
Total connected loading (W)	6300	
Cable length (cm)	-	
ADDITIONAL PROGRAMMES / FUNCTIONS	MAIN	2ND
hotairGentle	■	-
3D hotAir cooking	■	-
Full width / centre surface grill	■ / -	■ / ■
Hot air grilling / Pizza Setting	■ / ■	-
Conventional top & bottom heating	■	■
Bottom heat	■	■
Low temperature cooking	■	-
STANDARD ACCESSORIES	Full width enamelled pan / wire shelves 1 / 3	

■ Yes, model has this feature. - Feature not available for this model.

¹ Measured according norm EN 50304: 2014 update 65/2014 (models that are steam only or including microwave net subject to legislation).
² A+++ = more efficient, D = less efficient.



Double ovens with lightControl illuminated dial specifications

APPLIANCE TYPE	BUILT-IN		BUILT-IN		BUILT-UNDER	
	iQ 500		iQ 500		iQ 500	
Display family	iQ 500		iQ 500		iQ 500	
Model number	MB557G5S0B		MB535A0S0B		NB535ABS0B	
lightControl illuminated dials	■		■		■	
KEY FEATURES	MAIN	2ND	MAIN	2ND	MAIN	2ND
coolStart	-	-	-	-	-	-
Fast pre-heating function	■	-	■	-	■	-
cookControl	10	-	10	-	-	-
roastingSensor	■	-	-	-	-	-
Electronic control	-	-	-	-	-	-
Sabbath setting	-	-	-	-	-	-
activeClean® pyrolytic oven cleaning	-	-	-	-	-	-
Back / roof / side ecoClean® liners	■ / ■ / ■	■ / ■ / ■	■ / - / -	■ / ■ / ■	■ / - / -	■ / ■ / ■
3D hotAir cooking	■	-	■	-	■	-
Telescopic rails	1 x clip rail	-	1 x clip rail	-	-	-
softClose door	■	-	-	-	-	-
PERFORMANCE / TECHNICAL INFORMATION	MAIN	2ND	MAIN	2ND	MAIN	2ND
Oven capacity ¹ (litres)	71	34	71	34	47	34
Energy efficiency class ^{1,2}	A	B	A	B	A	B
Energy consumption 4D hotAir (kWh)	0.81	-	0.81	-	0.71	-
Energy consumption conventional (kWh)	0.97	0.83	0.97	0.83	0.80	0.83
Time to cook standard load (mins)	44	45	44	45	45	45
Largest baking sheet area (cm)	1290	1290	1290	1290	1290	1290
Total connected loading (W)	6200		6200		5600	
Cable length (cm)	-		-		-	
ADDITIONAL PROGRAMMES / FUNCTIONS	MAIN	2ND	MAIN	2ND	MAIN	2ND
hotairGentle	■	-	■	-	■	-
3D hotAir cooking	■	-	■	-	■	-
Full width / centre surface grill	■ / -	■ / ■	■ / -	■ / ■	■ / -	■ / ■
Hot air grilling / Pizza Setting	■ / ■	-	■	-	■	-
Conventional top & bottom heating	■	■	■	■	■	■
Bottom heat	■	■	-	■	-	■
Low temperature cooking	-	-	-	-	-	-
STANDARD ACCESSORIES	Full width enamelled pan / wire shelves 1 / 3		Full width enamelled pan / wire shelves 1 / 3		Full width enamelled pan / wire shelves 1 / 2	

■ Yes, model has this feature. - Feature not available for this model.

¹ Measured according norm EN 50304: 2014 update 65/2014 (models that are steam only or including microwave net subject to legislation).
² A+++ = more efficient, D = less efficient.



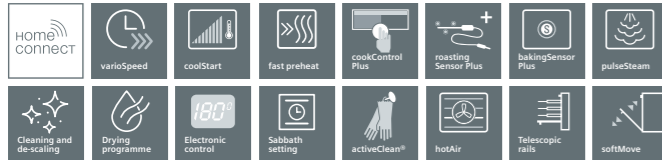
Compact ovens

with TFT touchDisplay Plus



iQ 700 CN878G4B6B

Compact pyrolytic oven with integral microwave
blackSteel



2
Year Warranty



Compact ovens with TFT touchDisplay Plus specifications

APPLIANCE TYPE	PYROLYTIC OVEN WITH INTEGRAL MICROWAVE
Design family	iQ 700
Model number	CN878G4B6B
TFT touchDisplay Plus	■
TFT touchDisplay	-
TFT Display	-
lightControl illuminated dials	-
KEY FEATURES	
Home Connect	■
varioSpeed	■
coolStart	■
Fast pre-heating function	■
cookControl Plus	■
cookControl	-
roastingSensor Plus	■
bakingSensor Plus	■
fullSteam	-
pulseSteam	■
Cleaning and de-scaling	■
Drying programme	■
Electronic control	■
Sabbath setting	■
activeClean® pyrolytic oven cleaning	■
Back / roof / side ecoClean® Direct liners	- / - / -
hotAir cooking	■
Telescopic rails	1 Level
softMove door opening and closing	■
PERFORMANCE / TECHNICAL INFORMATION	
Oven capacity ² (litres)	45
Energy efficiency class ²	-
Energy consumption 4D hotAir (kWh) ²	-
Energy consumption conventional (kWh) ²	-
Time to cook standard load (mins)	-
Largest baking sheet area (cm)	1290
Inverter technology	■
Max. Microwave power (W) ¹ / No. of power levels	900 / 5
Total connected loading (watts)	3600
Cable length (cm)	150
Water tank capacity (litres)	1.0
Turntable diameter (mm)	-
ADDITIONAL PROGRAMMES / FUNCTIONS	
hotairGentle / Conventional gentle	■ / ■
Full width surface grill / Centre surface grill	■ / ■
Hot air grilling / Pizza Setting	■ / ■
Conventional	■
Bottom heat / Intensive heat	■ / ■
Keep warm / Plate warming	■ / ■
Low temperature cooking	■
Dehydrate	■
STANDARD ACCESSORIES	
Full width enamelled pan / wire shelves	1 / 2
Steam trays	-

■ Yes, model has this feature. - Feature not available for this model.

¹ For Inverter models, the maximum setting offers a time limited boost option for heating liquids. To ensure optimal results and to protect the appliance, the microwave power output is reduced in stages over the first few minutes down to the next power level (600W). After a cooling period, the microwave boost option will be available once more.

² Measured in accordance with EN50304; 65/2014



Compact ovens with TFT touchDisplay Plus specifications

APPLIANCE TYPE	PYROLYTIC OVEN WITH INTEGRAL MICROWAVE	PYROLYTIC OVEN WITH INTEGRAL MICROWAVE	STEAM COMBINATION OVEN
Design family	iQ 700	iQ 700	iQ 700
Model number	CM878G4B6B	CM678G4S6B	CS858GRB7B
TFT touchDisplay Plus	■	■	■
TFT touchDisplay	-	-	-
TFT Display	-	-	-
lightControl illuminated dials	-	-	-
KEY FEATURES			
Home Connect	■	■	■
varioSpeed	■	■	-
coolStart	■	■	■
Fast pre-heating function	■	■	■
cookControl Plus	■	■	■
cookControl	-	-	-
roastingSensor Plus	■	■	■
bakingSensor Plus	■	■	■
fullSteam	-	-	■
pulseSteam	-	-	■
Cleaning and de-scaling	-	-	■
Drying programme	-	-	■
Electronic control	■	■	■
Sabbath setting	■	■	■
activeClean® pyrolytic oven cleaning	■	■	-
Back / roof / side ecoClean® Direct liners	- / - / -	- / - / -	■ / ■ / ■
hotAir cooking	■	■	■
Telescopic rails	1 Level	1 Level	1 Level
softMove door opening and closing	■	■	■
PERFORMANCE / TECHNICAL INFORMATION			
Oven capacity ² (litres)	45	45	47
Energy efficiency class ²	-	-	A+
Energy consumption 4D hotAir (kWh) ²	-	-	0.61
Energy consumption conventional (kWh) ²	-	-	0.73
Time to cook standard load (mins)	-	-	41
Largest baking sheet area (cm)	1290	1290	1290
Inverter technology	■	■	-
Max. Microwave power (W) ¹ / No. of power levels	900 / 5	900 / 5	-
Total connected loading (watts)	3600	3600	3300
Cable length (cm)	150	150	150
Water tank capacity (litres)	-	-	1.0
Turntable diameter (mm)	-	-	-
ADDITIONAL PROGRAMMES / FUNCTIONS			
hotairGentle / Conventional gentle	■ / ■	■ / ■	■ / ■
Full width surface grill / Centre surface grill	■ / ■	■ / ■	■ / ■
Hot air grilling / Pizza Setting	■ / ■	■ / ■	■ / ■
Conventional	■	■	■
Bottom heat / Intensive heat	■ / ■	■ / ■	■ / ■
Keep warm / Plate warming	■ / ■	■ / ■	■ / ■
Low temperature cooking	■	■	■
Dehydrate	■	■	■
STANDARD ACCESSORIES			
Full width enamelled pan / wire shelves	1 / 2	1 / 2	1 / 1 + pizza pan
Steam trays	-	-	2

■ Yes, model has this feature. - Feature not available for this model.

¹ For Inverter models, the maximum setting offers a time limited boost option for heating liquids. To ensure optimal results and to protect the appliance, the microwave power output is reduced in stages over the first few minutes down to the next power level (600W). After a cooling period, the microwave boost option will be available once more.

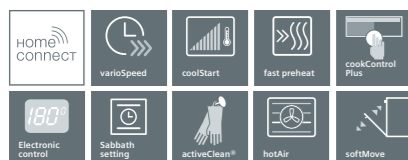
² Measured in accordance with EN50304; 65/2014

Compact ovens

with TFT touchDisplay

iQ 700 CM676GBS6B

Compact pyrolytic oven with integral microwave
Black, stainless steel



2
Year Warranty



Compact ovens with TFT touchDisplay specifications

APPLIANCE TYPE	PYROLYTIC OVEN WITH INTEGRAL MICROWAVE
Design family	iQ 700
Model Number	CM676GBS6B
TFT touchDisplay Plus	-
TFT touchDisplay	■
TFT Display	-
lightControl illuminated dials	-
KEY FEATURES	
Home Connect	■
varioSpeed	■
coolStart	■
Fast pre-heating function	■
cookControl Plus	■
cookControl	-
roastingSensor Plus	-
bakingSensor Plus	-
fullSteam	-
pulseSteam	-
Cleaning and de-scaling	-
Drying programme	-
Electronic control	■
Sabbath setting	■
activeClean® pyrolytic oven cleaning	-
Back / roof / side ecoClean® Direct liners	- / - / -
hotAir cooking	■
Telescopic rails	-
softMove door opening and closing	■
PERFORMANCE / TECHNICAL INFORMATION	
Oven capacity ² (litres)	45
Energy efficiency class ²	-
Energy consumption 4D hotAir (kWh) ²	-
Energy consumption conventional (kWh) ²	-
Time to cook standard load (mins)	-
Largest baking sheet area (cm)	1290
Inverter technology	■
Max. Microwave power (W) ¹ / No. of power levels	900 / 5
Total connected loading (watts)	3600
Cable length (cm)	150
Water tank capacity (litres)	-
Turntable diameter (mm)	-
ADDITIONAL PROGRAMMES / FUNCTIONS	
hotairGentle / Conventional gentle	■ / ■
Full width surface grill / Centre surface grill	■ / ■
Hot air grilling / Pizza Setting	■ / ■
Conventional	■
Bottom heat / Intensive heat	■ / -
Keep warm / Plate warming	■ / ■
Low temperature cooking	■
Dehydrate	-
STANDARD ACCESSORIES	
Full width enamelled pan / wire shelves	1 / 1
Steam trays	-

■ Yes, model has this feature. - Feature not available for this model.

¹ For Inverter models, the maximum setting offers a time limited boost option for heating liquids. To ensure optimal results and to protect the appliance, the microwave power output is reduced in stages over the first few minutes down to the next power level (600W). After a cooling period, the microwave boost option will be available once more.

² Measured in accordance with EN50304; 65/2014



Compact ovens with TFT touchDisplay specifications

APPLIANCE TYPE	OVEN WITH INTEGRAL MICROWAVE	STEAM COMBINATION OVEN
Design family	iQ 700	iQ 700
Model Number	CM656GBS6B	CS656GBS7B
TFT touchDisplay Plus	-	-
TFT touchDisplay	■	■
TFT Display	-	-
lightControl illuminated dials	-	-
KEY FEATURES		
Home Connect	■	■
varioSpeed	■	-
coolStart	■	■
Fast pre-heating function	■	■
cookControl Plus	■	■
cookControl	-	-
roastingSensor Plus	-	-
bakingSensor Plus	-	-
fullSteam	-	■
pulseSteam	-	■
Cleaning and de-scaling	-	■
Drying programme	-	■
Electronic control	■	■
Sabbath setting	■	■
activeClean® pyrolytic oven cleaning	-	-
Back / roof / side ecoClean® Direct liners	■ / ■ / ■	■ / ■ / ■
hotAir cooking	■	■
Telescopic rails	-	1 Level
softMove door opening and closing	■	■
PERFORMANCE / TECHNICAL INFORMATION		
Oven capacity ² (litres)	45	47
Energy efficiency class ²	-	A+
Energy consumption 4D hotAir (kWh) ²	-	0.61
Energy consumption conventional (kWh) ²	-	0.73
Time to cook standard load (mins)	-	41
Largest baking sheet area (cm)	1290	1290
Inverter technology	■	-
Max. Microwave power (W) ¹ / No. of power levels	900 / 5	-
Total connected loading (watts)	3600	3300
Cable length (cm)	150	150
Water tank capacity (litres)	-	1.0
Turntable diameter (mm)	-	-
ADDITIONAL PROGRAMMES / FUNCTIONS		
hotairGentle / Conventional gentle	■ / ■	■ / ■
Full width surface grill / Centre surface grill	■ / ■	■ / ■
Hot air grilling / Pizza Setting	■ / ■	■ / ■
Conventional	■	■
Bottom heat / Intensive heat	■ / -	■ / -
Keep warm / Plate warming	■ / ■	■ / ■
Low temperature cooking	■	■
Dehydrate	-	with Steam
STANDARD ACCESSORIES		
Full width enamelled pan / wire shelves	1 / 1	1 / 1
Steam trays	-	3

■ Yes, model has this feature. - Feature not available for this model.

¹ For Inverter models, the maximum setting offers a time limited boost option for heating liquids. To ensure optimal results and to protect the appliance, the microwave power output is reduced in stages over the first few minutes down to the next power level (600W). After a cooling period, the microwave boost option will be available once more.

² Measured in accordance with EN50304; 65/2014



Compact ovens

with TFT Display

iQ 700 CM633GBS1B

Compact oven with integral microwave
Black, stainless steel



2
Year Warranty



Compact ovens with TFT Display specifications



APPLIANCE TYPE	OVEN WITH INTEGRAL MICROWAVE
Design family	iQ 700
Model number	CM633GBS1B
TFT touchDisplay Plus	-
TFT touchDisplay	-
TFT Display	■
lightControl illuminated dials	-
KEY FEATURES	
Home Connect	-
varioSpeed	-
coolStart	-
Fast pre-heating function	■
cookControl Plus	-
cookControl	14
roastingSensor Plus	-
bakingSensor Plus	-
fullSteam	-
pulseSteam	-
Cleaning and de-scaling	-
Drying programme	-
Electronic control	■
Sabbath setting	■
activeClean® pyrolytic oven cleaning	-
Back / roof / side ecoClean® Direct liners	- / - / -
hotAir cooking	■
Telescopic rails	-
softMove door opening and closing	■
PERFORMANCE / TECHNICAL INFORMATION	
Oven capacity ² (litres)	45
Energy efficiency class ²	-
Energy consumption 4D hotAir (kWh) ²	-
Energy consumption conventional (kWh) ²	-
Time to cook standard load (mins)	-
Largest baking sheet area (cm)	1290
Inverter technology	■
Max. Microwave power (W) ¹ / No. of power levels	900 / 5
Total connected loading (watts)	3600
Cable length (cm)	150
Water tank capacity (litres)	-
Turntable diameter (mm)	-
ADDITIONAL PROGRAMMES / FUNCTIONS	
hotairGentle / Conventional gentle	■ / -
Full width surface grill / Centre surface grill	■ / ■
Hot air grilling / Pizza Setting	■ / -
Conventional	-
Bottom heat / Intensive heat	-
Keep warm / Plate warming	- / ■
Low temperature cooking	-
Dehydrate	-
STANDARD ACCESSORIES	
Full width enamelled pan / wire shelves	1 / 1
Steam trays	-

■ Yes, model has this feature. - Feature not available for this model.

¹For Inverter models, the maximum setting offers a time limited boost option for heating liquids. To ensure optimal results and to protect the appliance, the microwave power output is reduced in stages over the first few minutes down to the next power level (600W). After a cooling period, the microwave boost option will be available once more.

²Measured in accordance with EN50304; 65/2014

Compact ovens with TFT Display specifications



APPLIANCE TYPE	MICROWAVE	STEAMER
Design family	iQ 700	iQ 700
Model number	CF634AGS1B	CD634GAS0B*
TFT touchDisplay Plus	-	-
TFT touchDisplay	-	-
TFT Display	■	■
lightControl illuminated dials	-	-
KEY FEATURES		
Home Connect	-	-
varioSpeed	-	-
coolStart	-	-
Fast pre-heating function	-	-
cookControl Plus	-	-
cookControl	7	20
roastingSensor Plus	-	-
bakingSensor Plus	-	-
fullSteam	-	■
pulseSteam	-	-
Cleaning and de-scaling	-	-
Drying programme	-	-
Electronic control	■	■
Sabbath setting	■	■
activeClean® pyrolytic oven cleaning	-	-
Back / roof / side ecoClean® Direct liners	- / - / -	- / - / -
hotAir cooking	-	-
Telescopic rails	-	-
softMove door opening and closing	-	■
PERFORMANCE / TECHNICAL INFORMATION		
Oven capacity ² (litres)	36	38
Energy efficiency class ²	-	-
Energy consumption 4D hotAir (kWh) ²	-	-
Energy consumption conventional (kWh) ²	-	-
Time to cook standard load (mins)	-	-
Largest baking sheet area (cm)	1290	-
Inverter technology	■	-
Max. Microwave power (W) ¹ / No. of power levels	900 / 5	-
Total connected loading (watts)	1220	1900
Cable length (cm)	150	150
Water tank capacity (litres)	-	1.3
Turntable diameter (mm)	-	-
ADDITIONAL PROGRAMMES / FUNCTIONS		
hotairGentle / Conventional gentle	-	-
Full width surface grill / Centre surface grill	- / -	- / -
Hot air grilling / Pizza Setting	-	-
Conventional	-	-
Bottom heat / Intensive heat	-	-
Keep warm / Plate warming	- / -	- / -
Low temperature cooking	-	-
Dehydrate	-	with Steam
STANDARD ACCESSORIES		
Full width enamelled pan / wire shelves	Glass pan	1 / 1
Steam trays	-	2

■ Yes, model has this feature. - Feature not available for this model.

* Replaces CD634GAS1B from Autumn 2019

¹For Inverter models, the maximum setting offers a time limited boost option for heating liquids. To ensure optimal results and to protect the appliance, the microwave power output is reduced in stages over the first few minutes down to the next power level (600W). After a cooling period, the microwave boost option will be available once more.

²Measured in accordance with EN50304; 65/2014

Compact ovens

with lightControl illuminated dials

iQ 500 CP465AGB0B

Compact oven with microwave and steam combination
blackSteel



2
Year Warranty



studioLine

studioLine



Compact ovens with lightControl illuminated dials specifications

APPLIANCE TYPE	MICROWAVE COMBINATION WITH STEAM
Design family	iQ 500
Model number	CP465AGB0B
TFT touchDisplay Plus	-
TFT touchDisplay	-
TFT Display	-
lightControl illuminated dials	■
KEY FEATURES	
Home Connect	-
varioSpeed	■
coolStart	-
Fast pre-heating function	■
cookControl Plus	-
cookControl	30
roastingSensor Plus	-
bakingSensor Plus	-
fullSteam	■
pulseSteam	Added Steam
Cleaning and de-scaling	■
Drying programme	■
Electronic control	■
Sabbath setting	■
activeClean® pyrolytic oven cleaning	-
Back / roof / side ecoClean® Direct liners	■ / - / -
hotAir cooking	■
Telescopic rails	-
softMove door opening and closing	-
PERFORMANCE / TECHNICAL INFORMATION	
Oven capacity ² (litres)	36
Energy efficiency class ²	-
Energy consumption 4D hotAir (kWh) ²	-
Energy consumption conventional (kWh) ²	-
Time to cook standard load (mins)	-
Largest baking sheet area (cm)	-
Inverter technology	■
Max. Microwave power (W) ¹ / No. of power levels	1000 / 5
Total connected loading (watts)	3100
Cable length (cm)	150
Water tank capacity (litres)	0.80
Turntable diameter (mm)	-
ADDITIONAL PROGRAMMES / FUNCTIONS	
hotairGentle / Conventional gentle	-
Full width surface grill / Centre surface grill	Quartz / -
Hot air grilling / Pizza Setting	■ / -
Conventional	-
Bottom heat / Intensive heat	-
Keep warm / Plate warming	- / -
Low temperature cooking	-
Dehydrate	-
STANDARD ACCESSORIES	
Full width enamelled pan / wire shelves	Glass tray and wire insert
Steam trays	1

■ Yes, model has this feature. - Feature not available for this model.

¹ For Inverter models, the maximum setting offers a time limited boost option for heating liquids. To ensure optimal results and to protect the appliance, the microwave power output is reduced in stages over the first few minutes down to the next power level (600W). After a cooling period, the microwave boost option will be available once more.

² Measured in accordance with EN50304; 65/2014

Compact ovens with lightControl illuminated dials specifications



APPLIANCE TYPE	MICROWAVE COMBINATION WITH STEAM	MICROWAVE COMBINATION
Design family	iQ 500	iQ 500
Model number	CP565AGS0B	CM585AMS0B
TFT touchDisplay Plus	-	-
TFT touchDisplay	-	-
TFT Display	-	-
lightControl illuminated dials	■	■
KEY FEATURES		
Home Connect	-	-
varioSpeed	■	■
coolStart	-	-
Fast pre-heating function	■	■
cookControl Plus	-	-
cookControl	30	15
roastingSensor Plus	-	-
bakingSensor Plus	-	-
fullSteam	■	-
pulseSteam	Added Steam	-
Cleaning and de-scaling	■	-
Drying programme	■	-
Electronic control	■	■
Sabbath setting	■	■
activeClean® pyrolytic oven cleaning	-	-
Back / roof / side ecoClean® Direct liners	■ / - / -	- / - / -
hotAir cooking	■	■
Telescopic rails	-	-
softMove door opening and closing	-	-
PERFORMANCE / TECHNICAL INFORMATION		
Oven capacity ² (litres)	36	44
Energy efficiency class ²	-	-
Energy consumption 4D hotAir (kWh) ²	-	-
Energy consumption conventional (kWh) ²	-	-
Time to cook standard load (mins)	-	-
Largest baking sheet area (cm)	-	-
Inverter technology	■	-
Max. Microwave power (W) ¹ / No. of power levels	1000 / 5	900 / 5
Total connected loading (watts)	3100	3350
Cable length (cm)	150	180
Water tank capacity (litres)	0.80	-
Turntable diameter (mm)	-	360
ADDITIONAL PROGRAMMES / FUNCTIONS		
hotairGentle / Conventional gentle	-	-
Full width surface grill / Centre surface grill	Quartz / -	■ / -
Hot air grilling / Pizza Setting	■ / -	■ / -
Conventional	-	-
Bottom heat / Intensive heat	-	-
Keep warm / Plate warming	- / -	- / -
Low temperature cooking	-	-
Dehydrate	-	-
STANDARD ACCESSORIES		
Full width enamelled pan / wire shelves	Glass tray and wire insert	High grid and low grid
Steam trays	1	-

■ Yes, model has this feature. - Feature not available for this model.

¹ For Inverter models, the maximum setting offers a time limited boost option for heating liquids. To ensure optimal results and to protect the appliance, the microwave power output is reduced in stages over the first few minutes down to the next power level (600W). After a cooling period, the microwave boost option will be available once more.

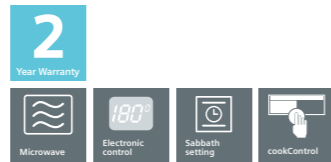
² Measured in accordance with EN50304; 65/2014

Microwaves

with TFT Display / touchSlider control

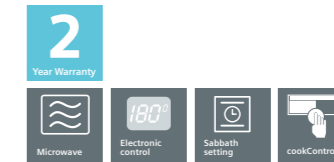
iQ700 BE634LGS1B

Microwave with grill
Black, stainless steel



iQ500 BF555LMS0B

Microwave with white LCD display and touchSlider control
Black, stainless steel



Microwaves with TFT Display specifications

APPLIANCE TYPE	MICROWAVE WITH GRILL	MICROWAVE
Design family	iQ700	iQ700
Model number	BE634LGS1B	BF634LGS1B
TFT Display	■	■
touchSlider control	-	-
KEY FEATURES		
Microwave	■	■
Quartz Grill	-	-
Microwave / grill combination	■	-
Electronic control	■	■
Sabbath setting	■	■
Automatic programmes – cookControl	10	7
Stainless steel interior	■	■
PERFORMANCE / TECHNICAL INFORMATION		
Oven capacity (litres)	21	21
Inverter technology	■	■
Maximum Microwave power (W) ¹	900	900
Number of Microwave power levels	5	5
Microwave distribution	Stirrer	Stirrer
Turntable diameter (mm)	-	-
Total connected load kW	1.99	1.22
Cable length (cm)	150	150
GB plug	■	■
Side opening door (left hinged)	■	■
Control panel position	Below, horizontal	Below, horizontal
Installation in wall unit / tall housing	■ / ■	■ / ■
STANDARD ACCESSORIES		
Glass pan / Insert grid	1 / 1	-

■ Yes, model has this feature. – Feature not available for this model.

¹ For Inverter models, the maximum setting offers a time limited boost option for heating liquids. To ensure optimal results and to protect the appliance, the microwave power output is reduced in stages over the first few minutes down to the next power level (600W). After a cooling period, the microwave boost option will be available once more.



Microwaves with touchSlider control specifications

APPLIANCE TYPE	MICROWAVE	MICROWAVE
Design family	iQ500	iQ500
Model number	BF555LMS0B	BF525LMS0B
TFT Display	-	-
touchSlider control	■	■
KEY FEATURES		
Microwave	■	■
Quartz Grill	-	-
Microwave / grill combination	-	-
Electronic control	■	■
Sabbath setting	■	■
Automatic programmes – cookControl	7	7
Stainless steel interior	■	■
PERFORMANCE / TECHNICAL INFORMATION		
Oven capacity (litres)	25	20
Inverter technology	-	-
Maximum Microwave power (W) ¹	900	800
Number of Microwave power levels	5	5
Microwave distribution	Turntable	Turntable
Turntable diameter (mm)	315	255
Total connected load kW	1.45	1.27
Cable length (cm)	130	130
GB plug	■	■
Side opening door (left hinged)	■	■
Control panel position	Right, vertical	Right, vertical
Installation in wall unit / tall housing	- / ■	■ / ■
STANDARD ACCESSORIES		
Glass pan / Insert grid	-	-

■ Yes, model has this feature. – Feature not available for this model.

¹ For Inverter models, the maximum setting offers a time limited boost option for heating liquids. To ensure optimal results and to protect the appliance, the microwave power output is reduced in stages over the first few minutes down to the next power level (600W). After a cooling period, the microwave boost option will be available once more.

Warming drawers and accessories

iQ 700 BI630DNS1B

Warming drawer
Black, stainless steel



Warming drawers specifications

	WARMING DRAWER	VACUUM DRAWER	WARMING DRAWER	WARMING DRAWER	WARMING DRAWER
	BI630DNS1B	BV830ENB1B	BI830CNB1B	BI630CNS1B	BI510CNR0B
	All iQ 700 models	iQ 700 studioLine	iQ 700 studioLine	All iQ 700 models	All iQ 500 models
KEY FEATURES & FUNCTIONS					
Operating indicator light	■	■	■	■	■
Electronic control	■	■	■	■	–
Sabbath setting	■	■	■	■	–
Rotary temperature control dial	■	Touch control	■	■	■
Number of temperature settings	4	–	4	4	3
Number of vacuum seal time settings	–	3	–	–	–
Number of vacuum sealing levels – bags / containers	–	3/3	–	–	–
Glass safety lid	–	■	–	–	–
Maximum temperature (°C)	80	–	80	80	80
Minimum temperature (°C)	40	–	40	40	40
Maximum capacity – plates	40	–	12	12	14
Maximum capacity – espresso cups	192	–	64	64	64
Toughened glass base	■	–	■	■	Anti-slip mat
Vacuum Drawer	–	■	–	–	–
Plate warming	■	–	■	■	■
Hold Warm	■	–	■	■	■
Defrost	■	–	■	■	■
Low temperature cooking	■	–	■	■	–
TECHNICAL INFORMATION					
Install independently	■	■	■	■	■
Install with compact appliance	iQ 700	iQ 700 studioLine	iQ 700 studioLine	iQ 700	iQ 500
Install with a single oven	iQ 700	iQ 700 studioLine	iQ 700 studioLine	iQ 700	iQ 500
Push-Pull opening mechanism	■	■	■	■	■
Drawer interior volume (litres)	52	8	20	20	23
Installation in a tall housing	■	■	■	■	■
Installation under work surface	■	■	■	■	■
Maximum weight capacity (kg)	25	15	25	25	15
Total connected loading (kW)	0.81	0.32	0.81	0.81	0.40
Cable length (in cm)	150	150	150	150	150
GB plug	■	■	■	■	■
STANDARD ACCESSORIES					
Vacuuming platform	–	■	–	–	–
External vacuuming adaptor, hose & plugs	–	■	–	–	–
Sample vacuuming bags	–	■	–	–	–
OPTIONAL ACCESSORIES					
100 x Vacuum bags (180 x 280 mm)	–	HZ66D910	–	–	–
100 x Vacuum bags (240 x 350 mm)	–	HZ66D920	–	–	–



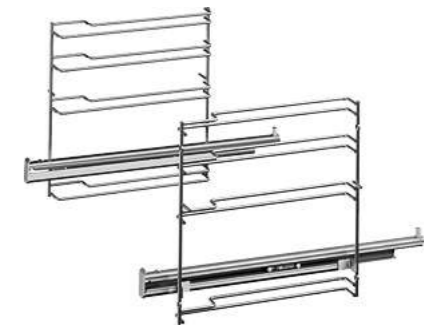
HZ631010 Colour coordinated full width baking tray with non-stick coating for iQ700 ovens and compacts



HZ915003 5.4L capacity oval glass casserole dish with lid



HZ625071 Two-piece enamelled anti-splash pan insert



HZ638100 1 level telescopic rails with stop, fully extendible

Optional accessories

ROASTING & BAKING ACCESSORIES

		iQ700		iQ500		
		Single Ovens	45cm Compact Ovens	Single Ovens	Compact Ovens	Double Ovens*
HZ634000	Full width wire shelf for iQ700 and iQ500 ovens and iQ700 compacts	■	■	■	–	■
HZ664000	Full width wire shelf for iQ700 ovens and compacts with fullSteam function	■	■	–	–	–
HZ631070	Colour coordinated full width enamelled baking tray for iQ700 ovens and compact ovens	■	■	–	–	–
HZ531000	Colour coordinated full width enamelled baking tray for iQ500 ovens	–	–	■	–	■
HZ631010	Colour coordinated full width baking tray with non-stick coating for iQ700 ovens and compacts	■	■	–	–	–
HZ531010	Colour coordinated full width baking tray with non-stick coating for iQ500 ovens	–	–	■	–	■
HZ634080	Full width wire shelf for iQ700 ovens and compacts with integral microwave	■	■	–	–	–
HZ625071	Two-piece enamelled anti-splash pan insert for iQ700 ovens and compact ovens and iQ500 ovens	■	■	■	–	■
HZ636000	Full width glass tray for iQ1700 ovens and compact ovens and iQ500 ovens	■	■	■	–	■
HZ865000	Glass serving dish – approx 40 x 25cm – for iQ700 ovens and compact ovens and iQ500 ovens	■	■	■	–	■
HZ915003	5.4L capacity oval glass casserole dish with lid for iQ700 ovens and compact ovens and iQ500 ovens	■	■	■	–	■

TELESCOPIC RAILS

HZ638100	1 level telescopic shelf rails with stop, fully extendible, for iQ700 ovens	■	–	–	–	–
HZ538000	1 pair of level independent ClipRail telescopic rails for iQ500 single and double ovens	–	–	■	–	■
HZ638170	1 level telescopic shelf rails with stop, fully extendible, for iQ700 ovens with pyrolytic cleaning	■	–	–	–	–
HZ638D10	1 level telescopic shelf rails with stop, fully extendible, for iQ700 ovens with fullSteam function	■	–	–	–	–
HZ638300	3 level telescopic shelf rails with stop, fully extendible for iQ700 and iQ500 single and double ovens	■	–	■	–	■
HZ638370	3 level telescopic shelf rails with stop, fully extendible for iQ700 ovens with pyrolytic cleaning	■	–	–	–	–
HZ638D30	3 level telescopic shelf rails with stop, fully extendible for iQ700 ovens with fullSteam function	■	–	–	–	–
HZ638178	1 level telescopic shelf rails with stop, fully extendible for iQ700 compact ovens with pyrolytic cleaning	–	■	–	–	–
HZ638D18	1 level telescopic shelf rails with stop, fully extendible for 45cm compact ovens with fullSteam function	–	■	–	–	–

INSTALLATION ACCESSORIES

HZ6BMA00	Metal platform and brackets suited to combinations of iQ700 60cm Single ovens and 45cm Compact ovens in column (special single aperture required)	■	–	–	–	–
HZ66X600	Cosmetic decor strip for use between 60cm single and 45cm compact ovens	■	–	–	■	–

■ Yes, model has this feature. – Feature not available for this model.

*Main cavity only

Please note: optional accessories not suited for use during pyrolytic cleaning unless stated

Induction, ceramic and gas hobs. Designed to impress.

The Siemens hob range combines stunning design with innovative technology and ergonomic design.

Create a design statement in your kitchen to work in harmony with other Siemens Home appliances. With hob options including distinctive black glass, cooking sensors and Wi-Fi, there are a range of collections including induction, ceramic and gas to choose from.

The advanced technology available in our hobs ensures your cooking is as enjoyable as possible, with time-saving features that help you to quickly and effortlessly prepare dishes. With a wide range of styles, sizes and cooking types to suit your needs and kitchen design, there are plenty of hob solutions to choose from.

Siemens hob warranties:

2 Year Warranty
A Two Year Warranty is available on all Siemens hobs listed in this brochure to protect against manufacturing and material faults during this warranty period.

To find out more about your warranty and for registration please refer to page 179.

Model shown: EX875LX34E 80cm inductionAir glass hob



Introducing the Siemens hob collection.

With intelligent technology, elegant design aesthetic and practical yet impressive functionality, Siemens hobs bring excitement and ease when creating dishes.



Model shown: E875KYW1E flexinduction hob

Induction cooking



inductionAir venting hobs

The inductionAir venting hob gives you the freedom to design your kitchen how you want to, with the added benefit of hassle-free cleaning. The innovative design means that the grease filters fit into an entirely detachable liquid tray unit which is designed to completely protect against spillages and over-boiled liquids.

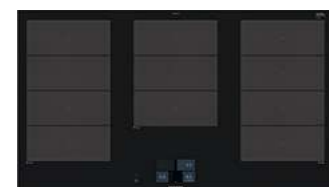
Model shown: EX875LX34E (page 73)



freeInduction Plus hob

Exclusive to studioLine our freeInduction Plus hob offers the ultimate freedom when cooking on a hob. Move up to six pots and pans freely anywhere on the hob, without being restricted to size or predefined cooking zones.

Model shown: EZ977KZY1E (page 71)



flexInduction hobs

Siemens flexInduction hobs are a must for diverse cooking. The cooking area can be tailored to your needs, enabling you to use a small area as traditional induction hobs with four or five separate zones, for boiling rice, for example, or you can choose to link the zones together to form one zone for larger cooking pans.

With flexInduction Plus, your hob automatically knows how large your cookware is. This provides even heat with the use of an additional central zone if the hob detects that the pan is too large.

Model shown: EX975KXW1E (page 76)



Induction hobs

Induction cooking is recognised as being one of the quickest, safest and most efficient methods of cooking available. When a pan with a ferrous or magnetic metal base is placed on the hob, the coil situated below the ceramic surface uses an electromagnetic field to create heat, almost instantly heating the pan. With only the base of the pan heated the cooking zone stays cooler.

Model shown: EH801FVB1E (page 80)

Gas cooking



Gas hobs

Tradition meets innovation – with their modern functions, Siemens gas hobs provide enjoyment in cooking like a pro. Low profile, single piece burners on the glass complete the sleek appearance.

Model shown: ER9A6SD70 (page 84)

Ceramic cooking



quickLite hobs

The surface of a glass ceramic hob heats up quickly and conveniently, while also being easy to clean due to the smooth and even surface. The cooking zones glow red when they're on and you can adjust the temperature of the cooking zones precisely, ensured by 17 power levels. Siemens highSpeed cooking zones are also optimised for fast cooking and heat up almost instantly.

Model shown: ET875CP1D (page 82)

Domino cooking



Domino hobs

Domino hobs can be installed alone or side by side with other types of compatible hobs. Domino cooking gives you more cooking options, for example the 40cm wide Teppan Yaki is ideal for combining with other Domino or faceted design cooktops to create a bespoke cooking area.

Models shown: ET475FYB1E, EX375FXB1E, ER3A6AD70, ER3A6BD70 (pages 88-89)



Choose the perfect hob for your kitchen.

A perfect finish suitable for any modern kitchen.

We aim to provide a wide selection of quality hob choices to ensure there is enough variety and colour-ways to choose from to match your kitchen style.



Black glass



Black ceramic glass



Black tempered glass



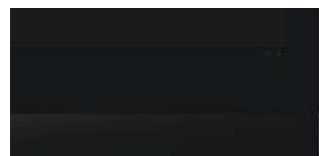
Stainless steel



Steel/black glass

Perfectly framed.

When considering a hob, you may also be thinking about the look you want to create as well as matching your appliance to other Siemens products. Siemens offers a variety of finishes to the hob frame; from stand out premium steel trims to sleek flushline trims that fit neatly in line with your worktop surface.



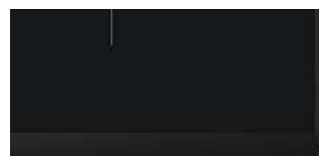
studioLine blackSteel trim



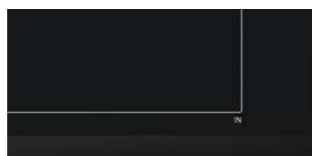
Premium steel trim



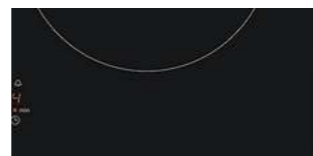
Flushline



3 sided bevel edge



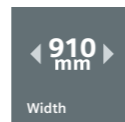
Front bevel



Frameless



The perfect width.



Our hob range is available in a range of widths to suit your kitchen design and needs. Our choice of induction hobs come in 60, 80 and 90cm options, gas is available in 60, 75 and 90cm options and venting hobs come in an 80cm option.

Putting your finger on innovation.



TFT touchDisplay

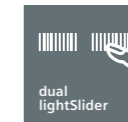


TFT touchDisplay

With the innovative TFT touchDisplay, you can now get the most out of your Siemens induction hob. The full colour touch screen is intuitive and easy to use with clear information about your hob's status at all times as well as additional settings that open up a new world of possibilities. Choose the settings for each individual cooking zone and combine the zones as you like – for example, for different sizes of cookware and various accessories. Access a new world of recipes available through the display screen which can help you cook the perfect dish in just a few simple steps, complete with images and clear text. Take control of your Siemens induction hob and enjoy the advanced design with perfectly prepared meals.



Dual lightSlider



Dual lightSlider

Operate with intuition. The dual lightSlider lets you easily select and join the cooking zones of the iQ700 Induction Hobs via one neatly arranged interface that illuminates when the hob is turned on. To adjust the power level of the cooking zones simply slide your finger along the lit scale or select the desired power level directly with precise control. When the hob is switched off, the controls are completely invisible for a sleek finish to your kitchen. As there are no protruding parts, cleaning is made even easier.

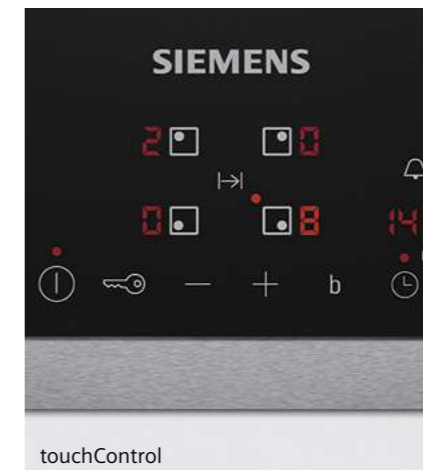


touchSlider



touchSlider

The ergonomic touchSlider sits flush to the appliance and allows you to slide your finger across the power level scale to the desired setting, with control advances in half-levels from 1 to 9. You can also touch the desired level directly for faster adjustments to the cooking zone temperature.



touchControl



touchControl

Thanks to advanced touchControl technology, Siemens hobs can be operated by simply touching the surface. This means the controls are seamlessly integrated into the surface and make cleaning even easier.

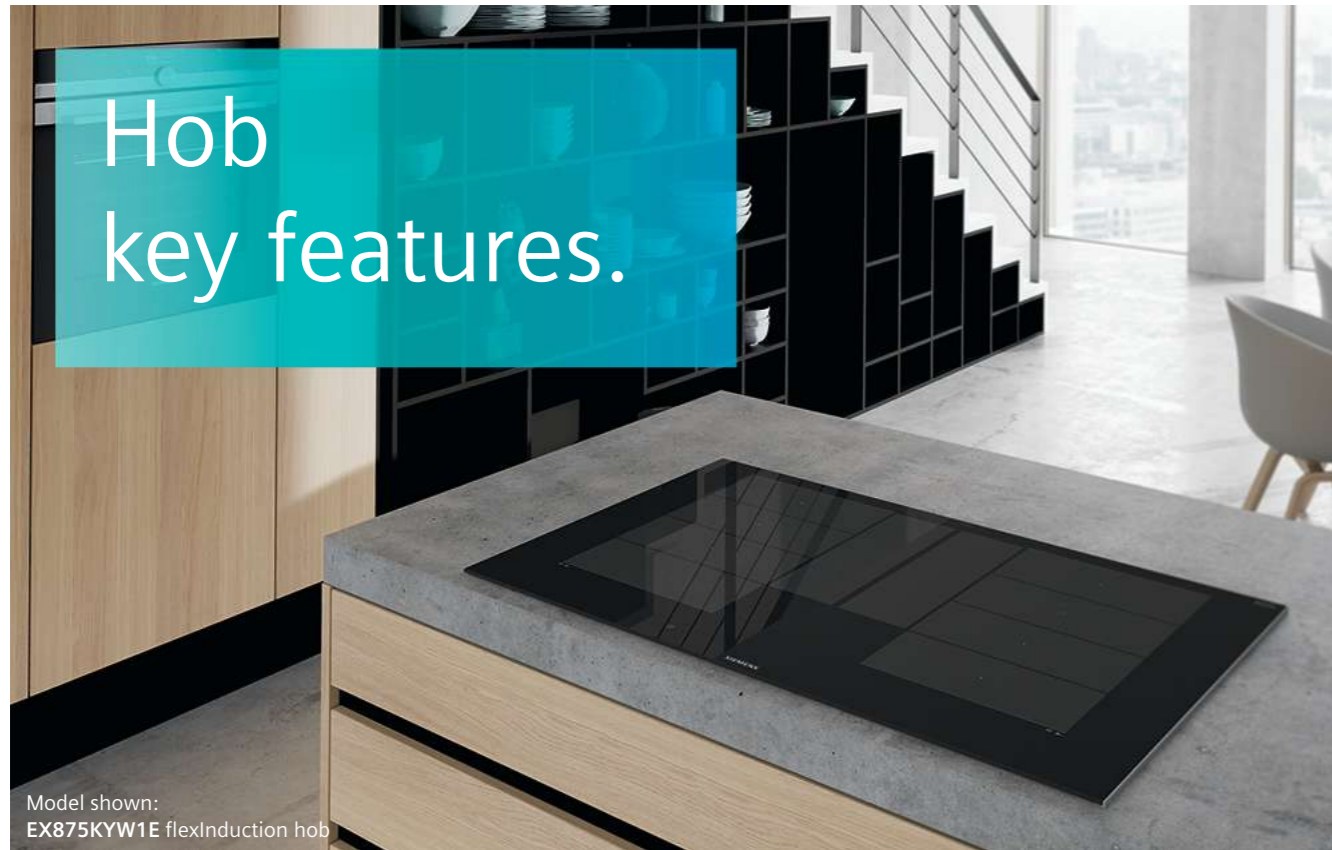


frontControl dials



frontControl

Gas hobs with frontControl feature all controls at the front of the appliance for ease of use.



Model shown: EX875KYW1E flexInduction hob

Home Connect Hobs. Designed to make life easier.

Selected freeInduction, inductionAir and flexInduction hobs are Wi-Fi enabled meaning they can be operated through the Home Connect App with other Siemens products including ovens, hoods and cooling appliances. It's also possible to use the services of different partners - turning your house into a connected home. For example use voice control with our partner Amazon Alexa to turn your hob on, or change the cooking speed. Use IFTTT to connect our Wi-Fi enabled hobs to a wider variety of partners including home lighting and music systems. Our Home Connect hobs offer you the ability to create a fully connected kitchen for convenience and smart living.

- Remote monitoring gives you an overview of your appliance's current status – from wherever you are. Have you ever left the house and had to go back and check if you turned off the hob? Peace of mind is just a click away with Wi-Fi enabled Siemens hobs and the intuitive Home Connect app. You can monitor your appliance's settings including on/off status, active cooking zones, implement child lock and get the cooking time status from wherever you are.
- Explore a wide range of recipes via the app and send the cooking and temperature settings straight to your hob. Perfect for busy evenings, find seasonal recipes and extra cooking support through the App.



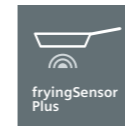
cookConnect system

Utilise this feature through the Home Connect App. Control the different functions of the extractor hood directly from your cooktop so you only have to control one appliance when cooking on your hob. From lighting to extractor speed to turning off the appliance, control every aspect of your cookConnect hood directly through your cookConnect hob. For more information see pages 66, 96 and 97.



Discover more exciting possibilities for a seamless life with Siemens and Home Connect. For more information visit siemens-home.bsh-group.com/uk/homeconnect

Discover the powerful responsiveness of Siemens induction cooking.



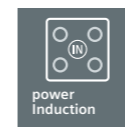
fryingSensor Plus

Makes cooking easier and ensures vegetables stay firm, and fish and meat are cooked just right. Just select the programme you want, wait for the signal, add oil to the pan – and then fry at the ideal temperature. fryingSensor Plus takes control. The integrated fryingSensor Plus gives you full precision when frying by keeping the dish at the defined power level as soon as this has been reached.



cookingSensor Plus

No more overboiling. Just attach the sensor to the pot and it will interact with the cooktop, giving a signal when a certain temperature has been reached and keeping it exactly at that level.



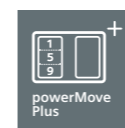
Fast, safe, and easy to clean: powerInduction from Siemens

Instantly hot. Instantly cold. Experience the benefits of Siemens powerInduction. Heat is conducted directly to the pans and their contents via induction coils, without heating the hob, heat-up times are short, safety is increased and the hob is much easier to clean.



The turbocharger for powerInduction: The powerBoost function

Increases power by up to 50%. This can save up to 35% of the time it takes to heat up pots or cook large quantities.



powerMove Plus

Enables intuitive control thanks to three heating zones with different temperatures, just by moving the pan.



panBoost

Enables you to heat cookware faster than when using heat setting 9. After 30 seconds, this function automatically switches itself off and reverts back to power level 9.



Combi-Zone

Allows you to connect two induction zones together, suitable for larger pots and pans.

Timer

With switch-off function. Safely shuts off the cooking zone when the selected cooking time expires.

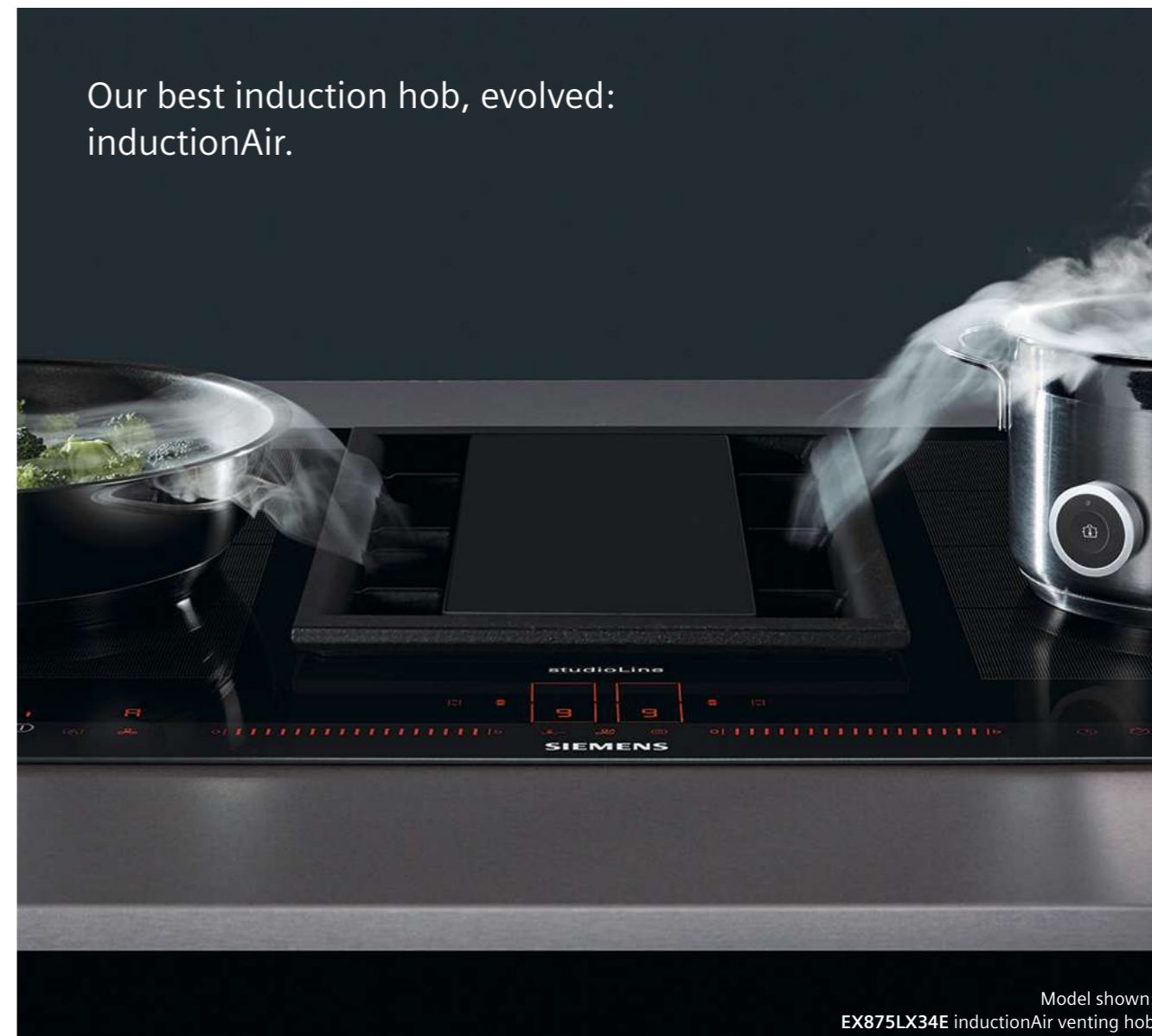


Explore the science of Induction cooking.

Heat is instantly generated directly under the pans by the induction stove, and vanishes just as quickly when you switch it off. The ceramic glass around the pans stays cool, so if something boils over, it won't burn onto the surface.

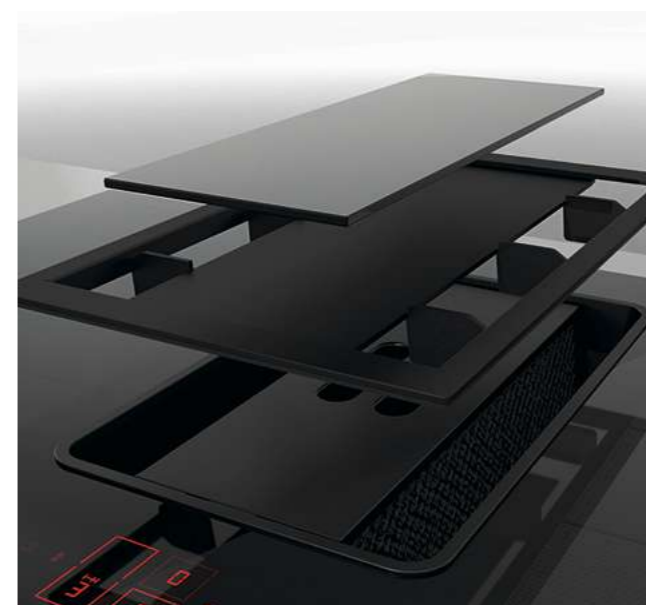


Our best induction hob, evolved:
inductionAir.



Model shown:
EX875LX34E inductionAir venting hob

Combining induction technology with powerful extraction, the inductionAir hob is intelligently designed for your kitchen.



inductionAir venting hob

The inductionAir venting hob gives you the freedom to style your kitchen how you want to, with the added benefit of hassle-free cleaning. The innovative design means that the grease filters fit into an entirely detachable liquid tray unit which is made to completely protect against spillages and over-boiled liquids.

How does it work?

All parts of the inductionAir venting hob are neatly arranged in a liquid tray unit, accessed from the top of the hob. Each of the parts are dishwasher-proof, including the cast iron and black glass air inlet grid, the 2-in-1 grease filter and the liquid tray. Each part is also separate to save space in your dishwasher.

Protects from spills

As a first layer of protection, the cast iron and black glass air inlet grid is designed to limit the flow of liquids into the ventilation module. As a second layer of protection, the liquid tray captures up to 200ml from day-to-day cooking and can be easily discarded. As an additional layer of protection, up to 2 litres of liquid can be held in the liquid safety tank, accessed from beneath the appliance, safe-guarding the appliance from damage. This means you can focus on your cooking with complete peace of mind.

flexInduction and induction key features.



Model shown:
EX977LXV5E flexInduction hob

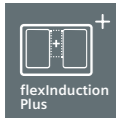
A hob that fits in with your lifestyle, flexInduction is no-compromise cooking at its best.



flexInduction

Siemens flexInduction hobs are a must for diverse cooking. The cooking area can be tailored to your needs, enabling you to use a small area as traditional induction hobs with four or five separate zones, for boiling rice, for example, or you can choose to link the zones together to form one zone for larger cooking pans. The new extended cooking surface can accommodate pans of any size, even several pans placed anywhere on the surface at the same time. With all the advantages of induction cooking, flexInduction also includes boost settings, automatic pan recognition and touchSlider controls.

Each flexInduction zone uses four innovative elongated oval inductors beneath the glass, each of which can act independently to sense the presence of cookware on the hob. Only if cookware is detected will the individual inductors work, ensuring efficient operation whether a 10cm diameter milk pan is placed in one corner or a large griddle plate covers the whole zone. With only specific areas active at any particular time, no energy is wasted. And for an even more versatile cooking experience the newly designed triple flexInduction hob provides the ultimate in flexible cooking with three flexInduction zones, fitting in with your lifestyle. flexInduction is no-compromise cooking at its best.



flexInduction Plus

Siemens flexInduction hobs are a must for diverse cooking. With flexInduction Plus, your hob automatically knows how large your cookware is. This provides even heat with the use of an additional central zone if the hob detects that the pan is too large. For 80cm flexInduction Plus hobs, there are two additional zones which are used for either the left or right flexInduction zones and cannot be used together. For 60cm flexInduction Plus hobs, no matter which side of the pan goes over, a central zone is automatically added.



Induction cooking – the cool heat

Induction cooking is recognised as being one of the quickest, safest and most efficient methods of cooking available.

When a pan with a ferrous or magnetic metal base is placed on the hob, the coil situated below the ceramic surface uses an electromagnetic field to create heat, almost instantly heating the pan. With only the base of the pan heated the cooking zone stays cooler.

Easier to clean and safer to use, because the ceramic cooking top is warmed only by the heat transferred back from the cookware and its contents, spillages are less likely to burn on, and there is normally no need to wait for the glass to cool down before simply wiping it over with a cloth. And if the induction hob is turned on without a pot or pan being placed on it, the hob itself will not heat up which reduces the risk of burning yourself.

Black glass finish

Our stunning induction hobs feature a black glass finish and bold displays. Our stylish collection mimicks the aesthetic of our built-in ovens and microwaves so your kitchen appliances can truly complement one another.





Ceramic Hobs.

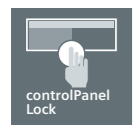
Fast heating, precise control.

Hobs made of glass ceramic make your life easier. Electric ceramic hobs heat up considerably faster than conventional steel hobs and are much easier to clean. They have smooth, even surfaces and cooking zones that glow red when they're on. You can adjust the temperature of the cooking zones very precisely with multiple available power levels. Siemens highSpeed cooking zones are optimised for fast cooking and get hot instantaneously.



touchControl

Thanks to advanced touchControl technology, Siemens hobs can be operated by simply touching the surface. This means the controls are seamlessly integrated into the surface and make cleaning even easier.



controlPanel Lock

With the childproof lock button, you can quickly and easily protect the hob against unauthorised operation. The childproof lock blocks all the hob's functions at the touch of a button. Locking is cleared by pressing the button again and holding down for a few seconds.



touchSlider

The stylish and ergonomic touchSlider allows you to simply slide your finger across the touchSlider temperature scale to the desired setting. All 60cm models are controlled with one single 9.5cm touchSlider control, while the extra wide models have one, four or five touchSlider controls



This appliance is presented in a stylish stainless steel side trim with bevelled front edge.

Gas hobs.

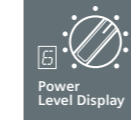
High performance, high speed.

Tradition meets innovation – with their modern functions, Siemens gas hobs provide enjoyment in cooking like a pro. Our top-of-the-range models feature beautiful and durable black ceramic glass hob bases, with cast iron pan supports for a contemporary look. They are designed to coordinate with other appliances in the iQ700 range, and can be combined seamlessly with iQ700 domino and electric hobs. Low profile, single piece burners on the glass complete the sleek appearance.



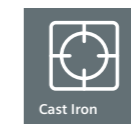
stepFlame technology

Introducing the ground-breaking innovation in gas hobs: stepFlame. Offering 9 precise power levels to give you the control of an electric hob, with gas. No more leaning over to check the flame size, no more hoping that it is at the right heat level. All this guesswork has been removed from cooking with gas. Whatever the level selected, the exact heat and the flame size needed is provided. It is just as easy to operate as it sounds, so conjuring up delicious meals is now easier than ever. It enables you to achieve the precise results you have always dreamt of. Your meals will be delicious, and your guests will be delighted.



Power Level Display with residual heat indicator

Together with the new stepFlame technology, selected gas hobs feature an LED display which clearly shows the power level you have selected at a glance. For added safety, the LED display also shows whether there is any residual heat from the hob indicated by a capital 'H' for hot and a lower case 'h' for warm.



Cast Iron

Cast iron pan supports are designed to withstand even the heaviest of pots and pans and provide a sleek finish to each hob. All can be removed for easier cleaning and iQ700 models have dishwasher safe pan supports.



Wok burner

Siemens gas hobs feature wok burners that deliver 3.3kW, 4.0kW, 4.2kW, 5.0kW or 6.0kW of power depending on the model, meeting the increasing demand for high speed cooking. But it is not just about power; they can be turned down to just 0.3kW – perfect for simmering. For the ultimate in flexibility, our 6.0kW and 5.0kW burners are dual control – the inner and outer flame rings can be adjusted independently via a single control.



dishwasher proof

All gas on ceramic glass models feature pan supports that are treated with a special patented coating which resists discolouration and the damaging effects of a dishwasher.

Integrate freedom into your kitchen with cookConnect.



Let your hob interact with your hood for even more convenience.



cookConnect system

Thanks to the cookConnect system, the hood now activates itself when you start cooking for ultimate convenience. You can now control different elements of your hood, using just your hob, saving you time and allowing you to focus on just one appliance at a time. Your hob and hood will co-operate in perfect synchronisation. When you start cooking, the hood will activate itself and the power level can be adjusted right on the hob or automatically by the climateControl sensor which detects the amount of steam and odours emitted from the hob. You can even control the lighting settings of both appliances through the cookConnect system.

Discover more about cookConnect on pages 96-97. For corresponding cookConnect models see below.

cookConnect hobs

EZ977KZY1E, EX977LXV5E, EX877LYV5E, EX677LYV5E, EX975KXW1E, EX875KYW1E, EX675JYW1E, EX975LWV1E, EX675LXV1E.

cookConnect hoods

LR18HLT25, LR29CQS25B, LR99CQS25B, LR97CBS25B, LR97CAQ50B, LF31IVV60, LF91BUV50B, LC91KWW69B, LC91KWW60B, LC87KBM60B, LC87KHM60B, LC67KHM60B, LC97FVW69B, LC91BUV50B.

Models shown: **EX875KYW1E** flexInduction hob.

Hood for illustrative purposes only. Please see page 109 for current island cube hood model.

Hob Accessories

For additional cooking flexibility Siemens provide a range of accessories for our flexInduction hobs.



Griddle pan

Converts your induction cooktop into a grill, specially designed for use across four flexInductors. The griddle pan maintains an even heat, perfect for frying steak or for roasting meat, fish and vegetables.



Griddle pan
HZ390522



Teppan Yaki

Heating extremely quickly the Teppan Yaki is great for fast Japanese cooking. Perfect for a cooked breakfast or a healthy stir-fry, the pan comes in two sizes that fit across either three or four flexInductors.



40x20cm
HZ390512

30x20cm
HZ390511



Roasting dish with steamer

Perfect for use with flexInduction hobs this multipurpose dish is a must when cooking for a crowd. A removable steamer insert is available to compliment this dish and perfect for steaming vegetables.



Roasting dish
HZ390011

Steamer insert
HZ390012



For more details on the range of accessories available please ask your retailer or visit siemens-home.bsh-group.com/uk/store





The hob that knows no limits: freeInduction.

Siemens premium studioLine hobs include freeInduction, inductionAir, flexInduction and Induction models. All appliances within this range are styled with black glass and a blackSteel trim*, ensuring they perfectly coordinate with the other exclusive studioLine appliances in the range. With top of the range features such as TFT Control, Dual lightSlider and the cookingSensor, and a refined style from every angle, Siemens studioLine hobs make a bold design statement to compliment any high quality kitchen.

*Please note that the venting hob model has a flushline trim

studioLine

A hob as flexible as your ideas: freeInduction.

Our new hob for 2019.

studioLine



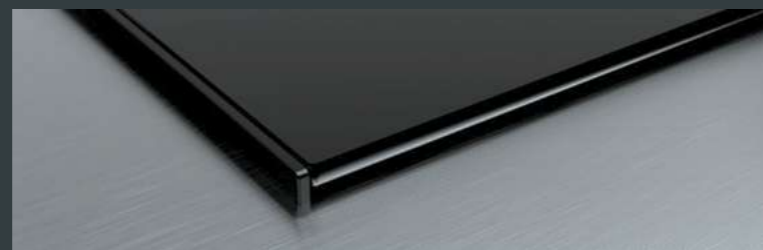
New
freeInduction
 With our new freeInduction hob you can move pots and pans of different sizes and shapes freely on the whole hob, without being restricted to predefined cooking zones. On top of that, the freeInduction hob offers space for up to six pots and pans at the same time, giving you much more space and flexibility when cooking.

Cooking like a chef: powerMove Pro
 The powerMove Pro feature allows you to change the heat level automatically by just moving the cookware. In five steps you can choose between different power levels only by moving the pot or pan from one spot on the cooktop to another. The cooktop will react immediately and apply the right power level for cooking like a professional.

Finishes

blackSteel trim
 All appliances within the studioLine range are styled with black glass and blackSteel trim, ensuring the materials and finish perfectly coordinate with other exclusive studioLine appliances in the range. The venting hob is the only appliance that has a flushline finish.

activeLight
 Sleek light bars give you intuitive visual feedback on where heat is applied. Side light bars change colour between white for pot detection, blue for heating, powerMove pro and flexMotion functions, yellow for when the cookingSensor is activated, and red for residual heat.

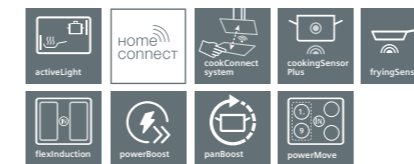


freeInduction hob

iQ700 EZ977KZY1E

freeInduction hob
 Black glass

90cm



2
 Year Warranty



TFT touchDisplay
 cookingSensor Plus regulates the temperature on the induction hob so as to cook everything to perfection without boiling over. It works without supervision, without readjustment – and saves electricity.

studioLine

home connect

APPLIANCE TYPE	FREEINDUCTION HOB	
Design family	iQ700	
Model number	EZ977KZY1E	
DESIGN		
Width (mm)	912mm	
Control position	Front	
Control type	TFT Control	
Style	blackSteel side trim	
KEY FEATURES		
activeLight	■	
Home Connect	■	
cookConnect	■	
Full touch colour display	■	
cookingSensor plus ¹	1 x included	
fryingSensor	-	
Number of flexInduction zones	freeInduction	
Extended flexInduction zones ²	-	
Number of combiZones	-	
powerBoost	■	
panBoost	■	
powerMove	5 stages	
Automatic setting transfer	■	
FEATURES		
Number of individual zones	Unrestricted use of up to 6 pans	
Power levels	17	
Digital display	■	
Timer with automatic switch off for each zone	■	
Count up timer	■	
QuickStart	■	
Energy consumption display	■	
PERFORMANCE / TECHNICAL INFORMATION		
Nominal voltage (V)	220-240	
Maximum power output (W)	7,400	
Electrical cable length (cm)	150	
GB plug	-	
One continuous cooking zone – power (kW) / dimensions (mm)	3.50	3,200 cm ²
One continuous cooking zone – with powerBoost (max. kW)	5.50	
Rear left flexInduction zone – power (kW) / dimensions (mm)	-	
Rear left zone – power (kW) / diameter (mm)	-	
Rear right flexInduction zone – power (kW) / dimensions (mm)	-	
Rear right zone – power (kW) / diameter (mm)	-	
Rear Centre zone – power (kW) / diameter (mm)	-	
Front Centre zone – power (kW) / diameter (mm)	-	
Front left flexInduction zone – power (kW) / dimensions (mm)	-	
Front left zone – power (kW) / diameter (mm)	-	
Front right flexInduction zone – power (kW) / dimensions (mm)	-	
Front right zone – power (kW) / diameter (mm)	-	
flexInduction Zone left – power (kW) / dimensions (mm)	-	
flexInduction Zone right – power (kW) / dimensions (mm)	-	
Extended flexInduction rear left – power (kW) / dimensions (mm)	-	
Extended flexInduction rear right – power (kW) / dimensions (mm)	-	
CombiZone left – power (kW) / dimensions (mm)	-	
CombiZone right – power (kW) / dimensions (mm)	-	
Rear left zone – with powerBoost (max. kW)	-	
Rear right zone – with powerBoost (max. kW)	-	
Rear Centre zone – with powerBoost (max. kW)	-	
Front Centre zone – with powerBoost (max. kW)	-	
Front left zone – with powerBoost (max. kW)	-	
Front right zone – with powerBoost (max. kW)	-	

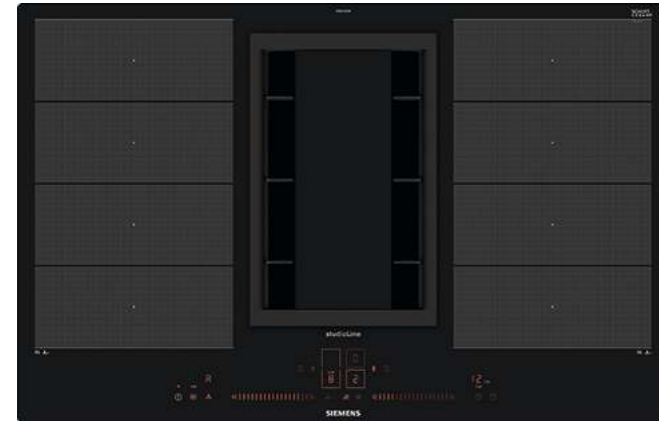
■ Yes, model has this feature. – Feature not available for this model.
 All models comply with COMMISSION (EC) No. 1275/2008 with regard to ecodesign requirements for standby and off mode electric power consumption.
¹Max 3 sensors at any time. "Ready" identifies products with feature enabled, sensor available as additional purchase. If sensor is supplied, number supplied is detailed.
²On 60cm model, the single centre aux inductor can work only with either the left or right zones. On the 80cm models, there are two aux inductors, one allocated each to the left and right zones. No bridge is possible to use 2 aux zones together.

inductionAir hobs

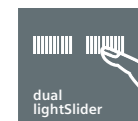
iQ700 EX807LX33E

inductionAir hob
Black glass

80cm



2
Year Warranty



dual lightSlider
The new dual lightSlider lets you easily select and join the cooking zones of the iQ700 Induction Cooktops via one neatly arranged interface. And when switched off, it is completely invisible.

■ Yes, model has this feature. – Feature not available for this model.
All models comply with COMMISSION (EC) No. 1275/2008 with regard to ecodesign requirements for standby and off mode electric power consumption.

¹ Max 3 sensors at any time; one WSP provided.
² Air flow and noise declarations made in line with CECEC Code Of Conduct.
³ Measured according to EN61591 on largest pipe diameter.
⁴ Sound power measured according to EN60704-3 on largest pipe diameter.

studioLine



inductionAir hob
specifications

APPLIANCE TYPE	INDUCTIONAIR HOB	
Design family	studioLine	
Model number	EX807LX33E	
DESIGN		
Width (mm)	792	
Control type	dual lightSlider	
Style	Flushline	
KEY FEATURES		
Integrated downDraft extractor	■	
Fully automatic extraction via climateControl Sensor	■	
cookingSensor ready ¹	1 x included	
fryingSensor	5 settings	
Number of flexInduction zones	2	
powerMove	3 stages	
Automatic setting transfer	■	
Digital display	■	
combiZone Induction	–	
HOB FEATURES		
Number of individual zones	4	
Power levels	17	
powerBoost	■	
Energy consumption display	■	
Timer with automatic switch off for each zone	■	
Count up timer	■	
HOOD FEATURES		
climateControl sensor	■	
Ducted operation using accessory kit	HZ381401	
Recirculating operation using accessory kits	HZ381501	
Power levels	9	
Intensive setting	1	
Automatic intensive revert setting	6 minutes	
Automatic or manual control	■	
Automatic after running	6 minutes	
Dishwasher safe filter cassette with spillage collection	200ml capacity	
Dishwasher spillage overflow collector	2L capacity	
Electronic grease filter / cleanAir filter saturation indicators	■ / ■	
SAFETY FEATURES		
Main on/off switch	■	
Two stage residual heat indicators	■	
Safety lock	■	
Automatic pan recognition	■	
Timed safety switch off	■	
PERFORMANCE / TECHNICAL INFORMATION – HOB		
Nominal voltage (V)	220-240	
Maximum power output (W)	7,400	
Electrical cable length (cm)	110	
Rear left flexInduction zone – power (kW) / dimensions (mm)	2.20	200 x 240
Rear right flexInduction zone – power (kW) / dimensions (mm)	2.20	200 x 240
Front left flexInduction zone – power (kW) / dimensions (mm)	2.20	200 x 240
Front right flexInduction zone – power (kW) / dimensions (mm)	2.20	200 x 240
flexInduction zone left – power (kW) / dimensions (mm)	3.30	400 x 240
flexInduction zone right – power (kW) / dimensions (mm)	3.30	400 x 240
Rear left zone – with powerBoost (max. kW)	3.70	
Rear right zone – with powerBoost (max. kW)	3.70	
Front left zone – with powerBoost (max. kW)	3.70	
Front right zone – with powerBoost (max. kW)	3.70	
PERFORMANCE / TECHNICAL INFORMATION – EXTRACTOR		
Extractor energy efficiency rating	A	
Extraction rate in m ³ /h ^(2,3)		
– ducted / recirculating power level minimum	150 / 139	
– ducted / recirculating power level maximum	550 / 557	
– ducted / recirculating power level intensive	690 / 630	
Noise level (sound power) based on dB(A) re 1pW ^(2,4)		
– ducted / recirculating power level minimum	39 / 42	
– ducted / recirculating power level maximum	69 / 74	
– ducted / recirculating power level intensive	76 / 75	
Motor power (W)	170	
OPTIONAL ACCESSORIES		
Wireless temperature sensor	HZ39050	
Set of four pans (3 x pans, 1 x saute pan)	HZ390042	
Rectangular roasting pan with lid (approx. 320 x 200mm)	HZ390011	
Steamer pan insert of use with HEZ390011 roasting pan	HZ390012	
Teppan Yaki (approx. 300 x 200mm)	HZ390511	
Teppan Yaki (approx. 400 x 200mm)	HZ390512	
Griddle plate (approx. 400 x 200mm)	HZ390522	



inductionAir hob
specifications

APPLIANCE TYPE	INDUCTIONAIR HOB			
Design family	iQ700		iQ500	
Model number	EX875LX34E		ED851F511E	
DESIGN				
Width (mm)	812		802	
Control type	dual lightSlider		touchSlider	
Style	Stainless steel trim		3 sided bevel edge	
KEY FEATURES				
Integrated downDraft extractor	■		■	
Fully automatic extraction via climateControl Sensor	■		–	
cookingSensor ready ¹	HZ39050 required		–	
fryingSensor	5 settings		–	
Number of flexInduction zones	2		–	
powerMove	3 stages		2 stages	
Automatic setting transfer	■		–	
Digital display	■		■	
combiZone Induction	–		■	
HOB FEATURES				
Number of individual zones	4		4	
Power levels	17		17	
powerBoost	■		■	
Energy consumption display	■		■	
Timer with automatic switch off for each zone	■		■	
Count up timer	■		–	
HOOD FEATURES				
climateControl sensor	■		■	
Ducted operation using accessory kit	HZ381401		HZ381401	
Recirculating operation using accessory kits	HZ381501		HZ381501	
Power levels	9		9	
Intensive setting	1		1	
Automatic intensive revert setting	6 minutes		6 minutes	
Automatic or manual control	■		■	
Automatic after running	6 minutes		6 minutes	
Dishwasher safe filter cassette with spillage collection	200ml capacity		200ml capacity	
Dishwasher spillage overflow collector	2L capacity		2L capacity	
Electronic grease filter / cleanAir filter saturation indicators	■ / ■		■ / ■	
SAFETY FEATURES				
Main on/off switch	■		■	
Two stage residual heat indicators	■		■	
Safety lock	■		■	
Automatic pan recognition	■		■	
Timed safety switch off	■		■	
PERFORMANCE / TECHNICAL INFORMATION – HOB				
Nominal voltage (V)	220-240		220-240	
Maximum power output (W)	7,400		7,400	
Electrical cable length (cm)	120		120	
Rear left flexInduction zone – power (kW) / dimensions (mm)	2.20	200 x 240	2.20	210 x 210
Rear right flexInduction zone – power (kW) / dimensions (mm)	2.20	200 x 240	1.40	145 x 145
Front left flexInduction zone – power (kW) / dimensions (mm)	2.20	200 x 240	2.20	210 x 210
Front right flexInduction zone – power (kW) / dimensions (mm)	2.20	200 x 240	1.80	180 x 180
flexInduction zone left – power (kW) / dimensions (mm)	3.30	400 x 240	3.60	439 x 210
flexInduction zone right – power (kW) / dimensions (mm)	3.30	400 x 240	–	–
Rear left zone – with powerBoost (max. kW)	3.70		3.70	
Rear right zone – with powerBoost (max. kW)	3.70		2.20	
Front left zone – with powerBoost (max. kW)	3.70		3.70	
Front right zone – with powerBoost (max. kW)	3.70		3.10	
PERFORMANCE / TECHNICAL INFORMATION – EXTRACTOR				
Extractor energy efficiency rating	A		A	
Extraction rate in m ³ /h ^(2,3)				
– ducted / recirculating power level minimum	150 / 139		150 / 139	
– ducted / recirculating power level maximum	550 / 557		550 / 557	
– ducted / recirculating power level intensive	690 / 630		690 / 630	
Noise level (sound power) based on dB(A) re 1pW ^(2,4)				
– ducted / recirculating power level minimum	39 / 42		39 / 42	
– ducted / recirculating power level maximum	69 / 74		69 / 74	
– ducted / recirculating power level intensive	76 / 75		76 / 75	
Motor power (W)	170		170	
OPTIONAL ACCESSORIES				
Wireless temperature sensor	HZ39050		HZ39050	
Set of four pans (3 x pans, 1 x saute pan)	HZ390042		HZ390042	
Rectangular roasting pan with lid (approx. 320 x 200mm)	HZ390011		–	
Steamer pan insert of use with HEZ390011 roasting pan	HZ390012		–	
Teppan Yaki (approx. 300 x 200mm)	HZ390511		–	
Teppan Yaki (approx. 400 x 200mm)	HZ390512		–	
Griddle plate (approx. 400 x 200mm)	HZ390522		–	

■ Yes, model has this feature.
– Feature not available for this model.
All models comply with COMMISSION (EC) No. 1275/2008 with regard to ecodesign requirements for standby and off mode electric power consumption.

¹ Max 3 sensors at any time; one WSP provided.
² Air flow and noise declarations made in line with CECEC Code Of Conduct.
³ Measured according to EN61591 on largest pipe diameter.
⁴ Sound power measured according to EN60704-3 on largest pipe diameter.

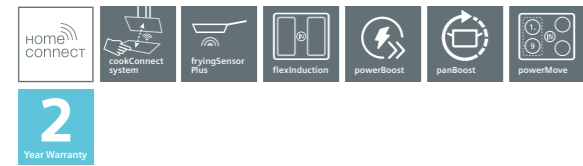
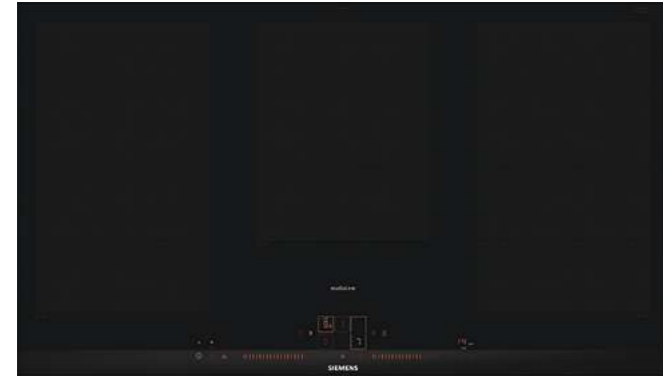
flexInduction hobs

iQ 700 EX977LXV5E

studioLine

flexInduction hob
Black glass

90cm



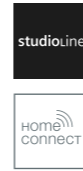
flexInduction hob specifications

APPLIANCE TYPE	FLEXINDUCTION HOBS	
Design family	iQ 700	
Model number	EX977LXV5E	
DESIGN		
Width (mm)	912	
Control position	Front	
Control type	dual lightSlider	
Style	blackSteel side trim	
KEY FEATURES		
activeLight	-	
Home Connect	■	
cookConnect	■	
Full touch colour display	-	
cookingSensor plus ¹	-	
fryingSensor	5 settings	
Number of flexInduction zones	3	
Extended flexInduction Zone ²	-	
Number of combiZones	-	
powerBoost	■	
panBoost	■	
powerMove	3 stages	
Automatic setting transfer	-	
FEATURES		
Number of individual zones	5	
Power levels	17	
Digital display	■	
Timer with automatic switch off for each zone	■	
Count up timer	■	
QuickStart	■	
Energy consumption display	■	
PERFORMANCE / TECHNICAL INFORMATION		
Nominal voltage (V)	220-240	
Maximum power output (W)	11,100	
Electrical cable length (cm)	110	
GB plug	-	
One continuous cooking zone – power (kW) / dimensions (mm)	-	
Rear left flexInduction zone – power (kW) / dimensions (mm)	2.20	200 x 240
Rear left zone – power (kW) / diameter (mm)	-	-
Rear right flexInduction zone – power (kW) / dimensions (mm)	2.20	200 x 240
Rear right zone – power (kW) / diameter (mm)	-	-
Rear Centre zone – power (kW) / diameter (mm)	2.60	300 x 240
Front Centre zone – power (kW) / diameter (mm)	-	-
Front left flexInduction zone – power (kW) / dimensions (mm)	2.20	200 x 240
Front left zone – power (kW) / diameter (mm)	-	-
Front right flexInduction zone – power (kW) / dimensions (mm)	2.20	200 x 240
Front right zone – power (kW) / diameter (mm)	-	-
flexInduction Zone left – power (kW) / dimensions (mm)	3.30	400 x 240
flexInduction Zone right – power (kW) / dimensions (mm)	3.30	400 x 240
Extended flexInduction rear left – power (kW) / dimensions (mm)	-	-
Extended flexInduction rear right – power (kW) / dimensions (mm)	-	-
CombiZone left – power (kW) / dimensions (mm)	-	-
CombiZone right – power (kW) / dimensions (mm)	-	-
Rear left zone – with powerBoost (max. kW)	3.70	
Rear right zone – with powerBoost (max. kW)	3.70	
Rear Centre zone – with powerBoost (max. kW)	3.70	
Front Centre zone – with powerBoost (max. kW)	-	
Front left zone – with powerBoost (max. kW)	3.70	
Front right zone – with powerBoost (max. kW)	3.70	

■ Yes, model has this feature. – Feature not available for this model.
All models comply with COMMISSION (EC) No. 1275/2008 with regard to ecodesign requirements for standby and off mode electric power consumption.

¹Max 3 sensors at any time. "Ready" identifies products with feature enabled, sensor available as additional purchase. If sensor is supplied, number supplied is detailed.

²On 60cm model, the single centre aux inductor can work only with either the left or right zones. On the 80cm models, there are two aux inductors, one allocated each to the left and right zones. No bridge is possible to use 2 aux zones together.



flexInduction hob specifications

APPLIANCE TYPE	iQ 700		iQ 700	
Design family	EX877LYV5E		EX677LYV5E	
Model number	EX877LYV5E		EX677LYV5E	
DESIGN				
Width (mm)	812		602	
Control position	Front		Front	
Control type	dual lightSlider		dual lightSlider	
Style	blackSteel side trim		blackSteel side trim	
KEY FEATURES				
activeLight	-		-	
Home Connect	■		■	
cookConnect	■		■	
Full touch colour display	-		-	
cookingSensor plus ¹	-		-	
fryingSensor	5 settings		5 settings	
Number of flexInduction zones	2		2	
Extended flexInduction Zone ²	2		1	
Number of combiZones	-		-	
powerBoost	■		■	
panBoost	■		■	
powerMove	3 stages		3 stages	
Automatic setting transfer	-		-	
FEATURES				
Number of individual zones	4		4	
Power levels	17		17	
Digital display	■		■	
Timer with automatic switch off for each zone	■		■	
Count up timer	■		■	
QuickStart	■		■	
Energy consumption display	■		■	
PERFORMANCE / TECHNICAL INFORMATION				
Nominal voltage (V)	220-240		220-240	
Maximum power output (W)	7,400		7,400	
Electrical cable length (cm)	110		110	
GB plug	-		-	
One continuous cooking zone – power (kW) / dimensions (mm)	-		-	
Rear left flexInduction zone – power (kW) / dimensions (mm)	2.20	200 x 230	2.20	190 x 230
Rear left zone – power (kW) / diameter (mm)	-	-	-	-
Rear right flexInduction zone – power (kW) / dimensions (mm)	2.20	200 x 230	2.20	190 x 230
Rear right zone – power (kW) / diameter (mm)	-	-	-	-
Rear Centre zone – power (kW) / diameter (mm)	-	-	-	-
Front Centre zone – power (kW) / diameter (mm)	-	-	-	-
Front left flexInduction zone – power (kW) / dimensions (mm)	2.20	200 x 230	2.20	190 x 230
Front left zone – power (kW) / diameter (mm)	-	-	-	-
Front right flexInduction zone – power (kW) / dimensions (mm)	2.20	200 x 230	2.20	190 x 230
Front right zone – power (kW) / diameter (mm)	-	-	-	-
flexInduction Zone left – power (kW) / dimensions (mm)	3.30	400 x 230	3.30	380 x 230
flexInduction Zone right – power (kW) / dimensions (mm)	3.30	400 x 230	3.30	380 x 230
Extended flexInduction rear left – power (kW) / dimensions (mm)	3.30	300 x 300	3.30	300 x 300
Extended flexInduction rear right – power (kW) / dimensions (mm)	3.30	300 x 300	3.30	300 x 300
CombiZone left – power (kW) / dimensions (mm)	-	-	-	-
CombiZone right – power (kW) / dimensions (mm)	-	-	-	-
Rear left zone – with powerBoost (max. kW)	3.70		3.70	
Rear right zone – with powerBoost (max. kW)	3.70		3.70	
Rear Centre zone – with powerBoost (max. kW)	-		-	
Front Centre zone – with powerBoost (max. kW)	-		-	
Front left zone – with powerBoost (max. kW)	3.70		3.70	
Front right zone – with powerBoost (max. kW)	3.70		3.70	

■ Yes, model has this feature. – Feature not available for this model.
All models comply with COMMISSION (EC) No. 1275/2008 with regard to ecodesign requirements for standby and off mode electric power consumption.

¹Max 3 sensors at any time. "Ready" identifies products with feature enabled, sensor available as additional purchase. If sensor is supplied, number supplied is detailed.

²On 60cm model, the single centre aux inductor can work only with either the left or right zones. On the 80cm models, there are two aux inductors, one allocated each to the left and right zones. No bridge is possible to use 2 aux zones together.



flexInduction hob specifications

APPLIANCE TYPE	FLEXINDUCTION HOB					
Design family	■iC700	■iC700	■iC700	■iC700	■iC700	
Model number	EX975KXW1E	EX875KYW1E	EX675JYW1E	EX975LVV1E	EX675LXV1E	
DESIGN						
Width (mm)	912	812	612	912	602	
Control position	Front	Front	Front	Front	Front	
Control type	TFT Control	TFT Control	TFT Control	Dual lightSlider	Dual lightSlider	
Style	Stainless steel side trim	Stainless steel side trim	Stainless steel side trim	Stainless steel side trim	Stainless steel side trim	
KEY FEATURES						
activeLight	-	-	-	-	-	
Home Connect	■	■	■	■	■	
cookConnect	■	■	■	■	■	
Full touch colour display	■	■	■	-	-	
cookingSensor plus¹	Ready	Ready	Ready	-	-	
fryingSensor	5 settings	5 settings	5 settings	4 settings	4 settings	
Number of flexInduction zones	3	2	2	2	2	
Extended flexInduction Zone²	-	2	1	-	-	
Number of combiZones	-	-	-	-	-	
powerBoost	■	■	■	■	■	
panBoost	■	■	■	■	■	
powerMove	3 stages	3 stages	3 stages	3 stages	3 stages	
Automatic setting transfer	■	■	■	■	■	
FEATURES						
Number of individual zones	5	4	4	5	4	
Power levels	17	17	17	17	17	
Digital display	■	■	■	■	■	
Timer with automatic switch off for each zone	■	■	■	■	■	
Count up timer	■	■	■	■	■	
QuickStart	-	-	-	-	-	
Energy consumption display	■	■	■	■	■	
PERFORMANCE / TECHNICAL INFORMATION						
Nominal voltage (V)	220-240		220-240		220-240	
Maximum power output (W)	11,100		7,400		7,400	
Electrical cable length (cm)	110		110		110	
GB plug	-		-		-	
One continuous cooking zone – power (kW) / dimensions (mm)	-		-		-	
Rear left flexInduction zone – power (kW) / dimensions (mm)	2.20	200 x 240	2.20	200 x 230	2.20	200 x 240
Rear left zone – power (kW) / diameter (mm)	-	-	-	-	-	-
Rear right flexInduction zone – power (kW) / dimensions (mm)	2.20	200 x 240	2.20	200 x 230	2.20	200 x 240
Rear right zone – power (kW) / diameter (mm)	-	-	-	-	-	-
Rear Centre zone – power (kW) / diameter (mm)	2.60	300 x 240	-	-	3.30	300 x 240
Front Centre zone – power (kW) / diameter (mm)	-	-	-	-	-	-
Front left flexInduction zone – power (kW) / dimensions (mm)	2.20	200 x 240	2.20	200 x 230	2.20	200 x 240
Front left zone – power (kW) / diameter (mm)	-	-	-	-	-	-
Front right flexInduction zone – power (kW) / dimensions (mm)	2.20	200 x 240	2.20	200 x 230	2.20	200 x 240
Front right zone – power (kW) / diameter (mm)	-	-	-	-	-	-
flexInduction Zone left – power (kW) / dimensions (mm)	3.30	400 x 240	3.30	400 x 230	3.30	400 x 240
flexInduction Zone right – power (kW) / dimensions (mm)	3.30	400 x 240	3.30	400 x 230	3.30	400 x 240
Extended flexInduction rear left – power (kW) / dimensions (mm)	-	-	3.30	300 x 300	3.30	300 x 300
Extended flexInduction rear right – power (kW) / dimensions (mm)	-	-	3.30	300 x 300	-	-
CombiZone left – power (kW) / dimensions (mm)	-	-	-	-	-	-
CombiZone right – power (kW) / dimensions (mm)	-	-	-	-	-	-
Rear left zone – with powerBoost (max. kW)	3.70	-	3.70	-	3.70	-
Rear right zone – with powerBoost (max. kW)	3.70	-	3.70	-	3.70	-
Rear Centre zone – with powerBoost (max. kW)	3.70	-	-	-	3.70	-
Front Centre zone – with powerBoost (max. kW)	-	-	-	-	-	-
Front left zone – with powerBoost (max. kW)	3.70	-	3.70	-	3.70	-
Front right zone – with powerBoost (max. kW)	3.70	-	3.70	-	3.70	-

■ Yes, model has this feature. – Feature not available for this model.

All models comply with COMMISSION (EC) No. 1275/2008 with regard to ecodesign requirements for standby and off mode electric power consumption.

¹Max 3 sensors at any time. "Ready" identifies products with feature enabled, sensor available as additional purchase. If sensor is supplied, number supplied is detailed.

²On 60cm model, the single centre aux inductor can work only with either the left or right zones. On the 80cm models, there are two aux inductors, one allocated each to the left and right zones. No bridge is possible to use 2 aux zones together.



flexInduction hob specifications

APPLIANCE TYPE	FLEXINDUCTION HOB					
Design family	■iC700	■iC700	■iC700	■iC700	■iC700	
Model number	EX275FXB1E	EX879FVC1E	EX679FEC1E	EX851FVC1E	EX651FEC1E	
DESIGN						
Width (mm)	912	812	602	812	602	
Control position	Front	Front	Front	Front	Front	
Control type	touchSlider	touchSlider	touchSlider	touchSlider	touchSlider	
Style	Stainless steel side trim	Stainless steel side trim	Stainless steel side trim	Stainless steel side trim	Stainless steel side trim	
KEY FEATURES						
activeLight	-	-	-	-	-	
Home Connect	-	-	-	-	-	
cookConnect	-	-	-	-	-	
Full touch colour display	-	-	-	-	-	
cookingSensor plus¹	-	-	-	-	-	
fryingSensor	-	4 settings	5 settings	4 settings	5 settings	
Number of flexInduction zones	2	1	1	1	1	
Extended flexInduction Zone²	-	-	-	-	-	
Number of combiZones	-	-	-	-	-	
powerBoost	■	■	■	■	■	
panBoost	■	■	■	■	■	
powerMove	-	3 stages	3 stages	3 stages	3 stages	
Automatic setting transfer	■	-	-	-	-	
FEATURES						
Number of individual zones	4	5	4	5	4	
Power levels	17	17	17	17	17	
Digital display	■	■	■	■	■	
Timer with automatic switch off for each zone	■	■	■	■	■	
Count up timer	■	■	■	■	■	
QuickStart	-	■	■	■	■	
Energy consumption display	■	■	■	■	■	
PERFORMANCE / TECHNICAL INFORMATION						
Nominal voltage (V)	220-240		220-240		220-240	
Maximum power output (W)	7,400		7,400		7,400	
Electrical cable length (cm)	110		110		110	
GB plug	-		-		-	
One continuous cooking zone – power (kW) / dimensions (mm)	-		-		-	
Rear left flexInduction zone – power (kW) / dimensions (mm)	2.20	200 x 240	-	-	2.20	190 x 240
Rear left zone – power (kW) / diameter (mm)	-	-	1.40	145	-	1.40
Rear right flexInduction zone – power (kW) / dimensions (mm)	2.20	200 x 240	2.20	200 x 210	-	2.20
Rear right zone – power (kW) / diameter (mm)	-	-	-	-	1.40	145
Rear Centre zone – power (kW) / diameter (mm)	-	-	2.20	240	-	2.20
Front Centre zone – power (kW) / diameter (mm)	-	-	-	-	-	-
Front left flexInduction zone – power (kW) / dimensions (mm)	2.20	200 x 240	-	-	2.20	190 x 240
Front left zone – power (kW) / diameter (mm)	-	-	1.80	180	-	1.80
Front right flexInduction zone – power (kW) / dimensions (mm)	2.20	200 x 240	2.20	200 x 210	-	2.20
Front right zone – power (kW) / diameter (mm)	-	-	-	-	2.20	210
flexInduction Zone left – power (kW) / dimensions (mm)	3.30	400 x 240	-	-	3.30	380 x 240
flexInduction Zone right – power (kW) / dimensions (mm)	3.30	400 x 240	3.30	400 x 210	-	3.30
Extended flexInduction rear left – power (kW) / dimensions (mm)	-	-	-	-	-	-
Extended flexInduction rear right – power (kW) / dimensions (mm)	-	-	-	-	-	-
CombiZone left – power (kW) / dimensions (mm)	-	-	-	-	-	-
CombiZone right – power (kW) / dimensions (mm)	-	-	-	-	-	-
Rear left zone – with powerBoost (max. kW)	3.70	-	2.20	-	3.70	-
Rear right zone – with powerBoost (max. kW)	3.70	-	3.70	2.20	3.70	2.20
Rear Centre zone – with powerBoost (max. kW)	-	-	3.70	-	-	3.70
Front Centre zone – with powerBoost (max. kW)	-	-	-	-	-	-
Front left zone – with powerBoost (max. kW)	3.70	-	3.10	-	3.70	-
Front right zone – with powerBoost (max. kW)	3.70	-	3.70	-	3.70	-

■ Yes, model has this feature. – Feature not available for this model.

All models comply with COMMISSION (EC) No. 1275/2008 with regard to ecodesign requirements for standby and off mode electric power consumption.

¹Max 3 sensors at any time. "Ready" identifies products with feature enabled, sensor available as additional purchase. If sensor is supplied, number supplied is detailed.

²On 60cm model, the single centre aux inductor can work only with either the left or right zones. On the 80cm models, there are two aux inductors, one allocated each to the left and right zones. No bridge is possible to use 2 aux zones together.

Induction hobs

iQ 500 ED877FWB5E

studioLine

Induction hob
Black glass

90cm



2
Year Warranty



Induction hob specifications

APPLIANCE TYPE	INDUCTION HOBS	
Design family	iQ 500	
Model number	ED877FWB5E	
DESIGN		
Width (mm)	812	
Control position	Front	
Control type	touchSlider	
Style	blackSteel side trim	
KEY FEATURES		
activeLight	-	
Home Connect	-	
cookConnect	-	
Full touch colour display	-	
cookingSensor plus ¹	-	
fryingSensor	-	
Number of flexInduction zones	-	
Extended flexInduction Zone ²	-	
Number of combiZones	1	
powerBoost	■	
panBoost	-	
powerMove	2 stages	
Automatic setting transfer	-	
FEATURES		
Number of individual zones	5	
Power levels	17	
Digital display	■	
Timer with automatic switch off for each zone	■	
Count up timer	-	
QuickStart	■	
Energy consumption display	■	
PERFORMANCE / TECHNICAL INFORMATION		
Nominal voltage (V)	220-240	
Maximum power output (W)	7,400	
Electrical cable length (cm)	110	
GB plug	-	
One continuous cooking zone – power (kW) / dimensions (mm)	-	
Rear left flexInduction zone – power (kW) / dimensions (mm)	-	
Rear left zone – power (kW) / diameter (mm)	1.40 145	
Rear right flexInduction zone – power (kW) / dimensions (mm)	2.20 190 x 210	
Rear right zone – power (kW) / diameter (mm)	-	
Rear Centre zone – power (kW) / diameter (mm)	2.20 240	
Front Centre zone – power (kW) / diameter (mm)	-	
Front left flexInduction zone – power (kW) / dimensions (mm)	-	
Front left zone – power (kW) / diameter (mm)	1.80 180	
Front right flexInduction zone – power (kW) / dimensions (mm)	2.20 190 x 210	
Front right zone – power (kW) / diameter (mm)	-	
flexInduction Zone left – power (kW) / dimensions (mm)	-	
flexInduction Zone right – power (kW) / dimensions (mm)	3.60 380 x 210	
Extended flexInduction rear left – power (kW) / dimensions (mm)	-	
Extended flexInduction rear right – power (kW) / dimensions (mm)	-	
CombiZone left – power (kW) / dimensions (mm)	-	
CombiZone right – power (kW) / dimensions (mm)	-	
Rear left zone – with powerBoost (max. kW)	2.20	
Rear right zone – with powerBoost (max. kW)	3.70	
Rear Centre zone – with powerBoost (max. kW)	3.70	
Front Centre zone – with powerBoost (max. kW)	-	
Front left zone – with powerBoost (max. kW)	3.10	
Front right zone – with powerBoost (max. kW)	3.70	

■ Yes, model has this feature. – Feature not available for this model.

All models comply with COMMISSION (EC) No. 1275/2008 with regard to ecodesign requirements for standby and off mode electric power consumption.

¹Max 3 sensors at any time. "Ready" identifies products with feature enabled, sensor available as additional purchase. If sensor is supplied, number supplied is detailed.

²On 60cm model, the single centre aux inductor can work only with either the left or right zones. On the 80cm models, there are two aux inductors, one allocated each to the left and right zones. No bridge is possible to use 2 aux zones together.

studioLine



studioLine



Induction hob specifications

APPLIANCE TYPE	INDUCTION HOBS					
Design family	iQ 500		iQ 500		iQ 500	
Model number	ED677FQC5E		ED851FWB5E		ED651FSB5E	
DESIGN						
Width (mm)	602		802		592	
Control position	Front		Front		Front	
Control type	touchSlider		touchSlider		touchSlider	
Style	blackSteel side trim		Front bevel		Front bevel	
KEY FEATURES						
activeLight	-		-		-	
Home Connect	-		-		-	
cookConnect	-		-		-	
Full touch colour display	-		-		-	
cookingSensor plus ¹	-		-		-	
fryingSensor	4 settings		-		-	
Number of flexInduction zones	-		-		-	
Extended flexInduction Zone ²	-		-		-	
Number of combiZones	2		1		1	
powerBoost	■		■		■	
panBoost	-		-		-	
powerMove	2 stages		2 stages		2 stages	
Automatic setting transfer	-		-		-	
FEATURES						
Number of individual zones	4		5		4	
Power levels	17		17		17	
Digital display	■		■		■	
Timer with automatic switch off for each zone	■		■		■	
Count up timer	-		-		-	
QuickStart	■		■		■	
Energy consumption display	■		■		■	
PERFORMANCE / TECHNICAL INFORMATION						
Nominal voltage (V)	220-240		220-240		220-240	
Maximum power output (W)	7,400		7,400		6,900	
Electrical cable length (cm)	110		110		110	
GB plug	-		-		-	
One continuous cooking zone – power (kW) / dimensions (mm)	-		-		-	
Rear left flexInduction zone – power (kW) / dimensions (mm)	2.20 190 x 210		-		2.20 190 x 210	
Rear left zone – power (kW) / diameter (mm)	-		1.40 145		-	
Rear right flexInduction zone – power (kW) / dimensions (mm)	2.20 190 x 210		2.20 190 x 210		-	
Rear right zone – power (kW) / diameter (mm)	-		-		1.40 145	
Rear Centre zone – power (kW) / diameter (mm)	-		2.20 240		-	
Front Centre zone – power (kW) / diameter (mm)	-		-		-	
Front left flexInduction zone – power (kW) / dimensions (mm)	2.20 190 x 210		-		2.20 190 x 210	
Front left zone – power (kW) / diameter (mm)	-		1.80 180		-	
Front right flexInduction zone – power (kW) / dimensions (mm)	2.20 190 x 210		2.20 190 x 210		-	
Front right zone – power (kW) / diameter (mm)	-		-		1.80 180	
flexInduction Zone left – power (kW) / dimensions (mm)	3.60 380 x 210		-		3.60 380 x 210	
flexInduction Zone right – power (kW) / dimensions (mm)	3.60 380 x 210		3.60 380 x 210		-	
Extended flexInduction rear left – power (kW) / dimensions (mm)	-		-		-	
Extended flexInduction rear right – power (kW) / dimensions (mm)	-		-		-	
CombiZone left – power (kW) / dimensions (mm)	-		-		-	
CombiZone right – power (kW) / dimensions (mm)	-		-		-	
Rear left zone – with powerBoost (max. kW)	3.70		2.20		3.70	
Rear right zone – with powerBoost (max. kW)	3.70		3.70		2.20	
Rear Centre zone – with powerBoost (max. kW)	-		3.70		-	
Front Centre zone – with powerBoost (max. kW)	-		-		-	
Front left zone – with powerBoost (max. kW)	3.70		3.10		3.70	
Front right zone – with powerBoost (max. kW)	3.70		3.70		3.10	

■ Yes, model has this feature. – Feature not available for this model.

All models comply with COMMISSION (EC) No. 1275/2008 with regard to ecodesign requirements for standby and off mode electric power consumption.

¹Max 3 sensors at any time. "Ready" identifies products with feature enabled, sensor available as additional purchase. If sensor is supplied, number supplied is detailed.

²On 60cm model, the single centre aux inductor can work only with either the left or right zones. On the 80cm models, there are two aux inductors, one allocated each to the left and right zones. No bridge is possible to use 2 aux zones together.

Induction hob specifications



APPLIANCE TYPE	INDUCTION HOBS							
Design family	IQ300		IQ300		IQ100		IQ100	
Model number	EH801FVB1E		EH601FEB1E		EH845FVB1E		EH645FEB1E	
DESIGN								
Width (mm)	792		572		795		583	
Control position	Front		Front		Front		Front	
Control type	touchSlider		touchSlider		touchSlider		touchSlider	
Style	Flushline		Flushline		Premium steel trim		Premium steel trim	
KEY FEATURES								
activeLight	-		-		-		-	
Home Connect	-		-		-		-	
cookConnect	-		-		-		-	
Full touch colour display	-		-		-		-	
cookingSensor plus ¹	-		-		-		-	
fryingSensor	-		-		-		-	
Number of flexInduction zones	-		-		-		-	
Extended flexInduction Zone ²	-		-		-		-	
Number of combiZones	-		-		-		-	
powerBoost	■		■		■		■	
panBoost	-		-		-		-	
powerMove	-		-		-		-	
Automatic setting transfer	-		-		-		-	
FEATURES								
Number of individual zones	5		4		5		4	
Power levels	17		17		17		17	
Digital display	■		■		■		■	
Timer with automatic switch off for each zone	■		■		■		■	
Count up timer	-		-		-		-	
QuickStart	■		■		■		■	
Energy consumption display	■		-		■		-	
PERFORMANCE / TECHNICAL INFORMATION								
Nominal voltage (V)	220-240		220-240		220-240		220-240	
Maximum power output (W)	7,400		7,400		7,400		7,400	
Electrical cable length (cm)	110		110		110		110	
GB plug	-		-		-		-	
One continuous cooking zone – power (kW) / dimensions (mm)	-		-		-		-	
Rear left flexInduction zone – power (kW) / dimensions (mm)	-		-		-		-	
Rear left zone – power (kW) / diameter (mm)	1.40	145	1.80	180	1.40	145	1.80	180
Rear right flexInduction zone – power (kW) / dimensions (mm)	-		-		-		-	
Rear right zone – power (kW) / diameter (mm)	1.40	145	1.40	145	1.40	145	1.40	145
Rear Centre zone – power (kW) / diameter (mm)	2.20	240	-	-	2.20	240	-	-
Front Centre zone – power (kW) / diameter (mm)	-		-		-		-	
Front left flexInduction zone – power (kW) / dimensions (mm)	-		-		-		-	
Front left zone – power (kW) / diameter (mm)	1.80	180	1.80	180	1.80	180	1.80	180
Front right flexInduction zone – power (kW) / dimensions (mm)	-		-		-		-	
Front right zone – power (kW) / diameter (mm)	2.20	210	2.20	210	2.20	210	2.20	210
flexInduction Zone left – power (kW) / dimensions (mm)	-		-		-		-	
flexInduction Zone right – power (kW) / dimensions (mm)	-		-		-		-	
Extended flexInduction rear left – power (kW) / dimensions (mm)	-		-		-		-	
Extended flexInduction rear right – power (kW) / dimensions (mm)	-		-		-		-	
CombiZone left – power (kW) / dimensions (mm)	-		-		-		-	
CombiZone right – power (kW) / dimensions (mm)	-		-		-		-	
Rear left zone – with powerBoost (max. kW)	2.20	3.10	2.20	3.10	2.20	3.10	2.20	3.10
Rear right zone – with powerBoost (max. kW)	2.20	2.20	2.20	2.20	2.20	2.20	2.20	2.20
Rear Centre zone – with powerBoost (max. kW)	3.70	-	3.70	-	3.70	-	3.70	-
Front Centre zone – with powerBoost (max. kW)	-	-	-	-	-	-	-	-
Front left zone – with powerBoost (max. kW)	3.10	3.10	3.10	3.10	3.10	3.10	3.10	3.10
Front right zone – with powerBoost (max. kW)	3.70	3.70	3.70	3.70	3.70	3.70	3.70	3.70

■ Yes, model has this feature. – Feature not available for this model.

All models comply with COMMISSION (EC) No. 1275/2008 with regard to ecodesign requirements for standby and off mode electric power consumption.

¹Max 3 sensors at any time. "Ready" identifies products with feature enabled, sensor available as additional purchase. If sensor is supplied, number supplied is detailed.

²On 60cm model, the single centre aux inductor can work only with either the left or right zones. On the 80cm models, there are two aux inductors, one allocated each to the left and right zones. No bridge is possible to use 2 aux zones together.

Induction hob specifications



APPLIANCE TYPE	INDUCTION HOBS					
Design family	IQ100		IQ100		IQ100	
Model number	EU631FEB1E		EU611BEB1E		EU631BEF1B	
DESIGN						
Width (mm)	592		592		592	
Control position	Front		Front		Front	
Control type	touchSlider		Touch Control		Touch Control	
Style	Front bevel		Frameless		Front bevel	
KEY FEATURES						
activeLight	-		-		-	
Home Connect	-		-		-	
cookConnect	-		-		-	
Full touch colour display	-		-		-	
cookingSensor plus ¹	-		-		-	
fryingSensor	-		-		-	
Number of flexInduction zones	-		-		-	
Extended flexInduction Zone ²	-		-		-	
Number of combiZones	-		-		-	
powerBoost	■		■		■	
panBoost	-		-		-	
powerMove	-		-		-	
Automatic setting transfer	-		-		-	
FEATURES						
Number of individual zones	4		4		4	
Power levels	17		17		17	
Digital display	■		■		■	
Timer with automatic switch off for each zone	■		■		■	
Count up timer	-		-		-	
QuickStart	■		■		■	
Energy consumption display	-		-		-	
PERFORMANCE / TECHNICAL INFORMATION						
Nominal voltage (V)	220-240		220-240		220-240	
Maximum power output (W)	4,600		4,600		3,000	
Electrical cable length (cm)	110		110		110	
GB plug	-		-		■	
One continuous cooking zone – power (kW) / dimensions (mm)	-		-		-	
Rear left flexInduction zone – power (kW) / dimensions (mm)	-		-		-	
Rear left zone – power (kW) / diameter (mm)	1.80	180	1.80	180	1.80	180
Rear right flexInduction zone – power (kW) / dimensions (mm)	-		-		-	
Rear right zone – power (kW) / diameter (mm)	1.40	145	1.40	145	1.40	145
Rear Centre zone – power (kW) / diameter (mm)	-		-		-	
Front Centre zone – power (kW) / diameter (mm)	-		-		-	
Front left flexInduction zone – power (kW) / dimensions (mm)	-		-		-	
Front left zone – power (kW) / diameter (mm)	1.80	180	1.80	180	1.80	180
Front right flexInduction zone – power (kW) / dimensions (mm)	-		-		-	
Front right zone – power (kW) / diameter (mm)	2.20	210	2.20	210	2.20	210
flexInduction Zone left – power (kW) / dimensions (mm)	-		-		-	
flexInduction Zone right – power (kW) / dimensions (mm)	-		-		-	
Extended flexInduction rear left – power (kW) / dimensions (mm)	-		-		-	
Extended flexInduction rear right – power (kW) / dimensions (mm)	-		-		-	
CombiZone left – power (kW) / dimensions (mm)	-		-		-	
CombiZone right – power (kW) / dimensions (mm)	-		-		-	
Rear left zone – with powerBoost (max. kW)	3.10	3.10	3.10	3.10	3.10	3.10
Rear right zone – with powerBoost (max. kW)	2.20	2.20	2.20	2.20	2.20	2.20
Rear Centre zone – with powerBoost (max. kW)	-	-	-	-	-	-
Front Centre zone – with powerBoost (max. kW)	-	-	-	-	-	-
Front left zone – with powerBoost (max. kW)	3.10	3.10	3.10	3.10	3.10	3.10
Front right zone – with powerBoost (max. kW)	3.70	3.70	3.70	3.70	3.70	3.70

■ Yes, model has this feature. – Feature not available for this model.

All models comply with COMMISSION (EC) No. 1275/2008 with regard to ecodesign requirements for standby and off mode electric power consumption.

¹Max 3 sensors at any time. "Ready" identifies products with feature enabled, sensor available as additional purchase. If sensor is supplied, number supplied is detailed.

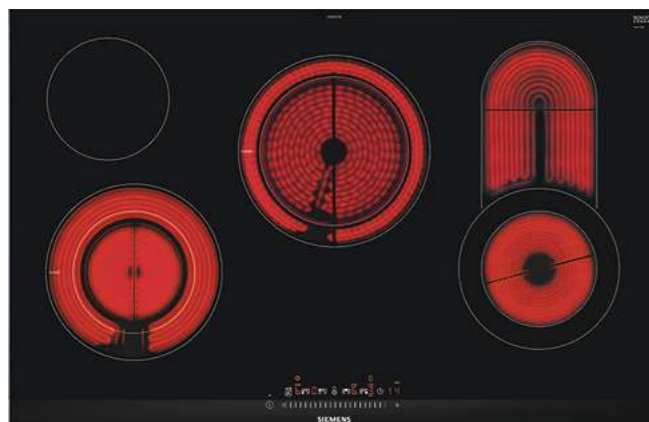
²On 60cm model, the single centre aux inductor can work only with either the left or right zones. On the 80cm models, there are two aux inductors, one allocated each to the left and right zones. No bridge is possible to use 2 aux zones together.

quickLite ceramic hobs

iQ 300 ET875FCP1D

Ceramic hob
Black glass

80cm



2
Year Warranty



quickLite ceramic hob specifications

APPLIANCE TYPE	QUICKLITE CERAMIC HOB	
Design family	iQ 300	
Model number	Black glass with steel trim	–
	Black glass	ET875FCP1D
	Metal-look glass	–
	Stainless steel	–
DESIGN CHARACTERISTICS		
Hob width (mm)	812	
Side controls	–	
Front controls	■	
Control dials	–	
touchControl	–	
touchSlider operation	■	
All-around trim	–	
Three-sided bevelled frameless finish	–	
Flush-fitting design / installation	–	
Design trim (front facette with side trim)	–	
Bevelled front	■	
Can be installed with a Siemens Domino hob	–	
KEY FEATURES		
Electronic control	■	
Electronic power level display	■	
Automatic safety switch off	■	
Control panel lock	■	
Super boost function	–	
powerBoost setting	■	
quickStart	■	
reStart	■	
Energy consumption display	–	
Automatic pan recognition	–	
Power management function	–	
Connection current management	–	
FEATURES		
Number of power levels	17	
Main on/off switch	■	
Timer for all zones	■	
Two stage residual heat indicators (H/h)	■	
Control panel pause	■	
PERFORMANCE / TECHNICAL INFORMATION		
Number of cooking zones	4	
Number of flexinduction zones	–	
Number of dual / extendible zones	2	
Number of triple / extendible zones	–	
Left zones flexInduction connected – power (kW) / dimensions (mm)	–	
Right zones flexInduction connected – power (kW) / dimensions (mm)	–	
Centre zones flexInduction – power (kW) / dimensions (mm)	–	
Left front zone – power (kW) / dimensions (mm)	2.1	210
Left rear zone – power (kW) / dimensions (mm)	2.1	145
Centre front zone – power (kW) / dimensions (mm)	–	–
Centre rear zone – power (kW) / dimensions (mm)	2.4	230
Right front zone – power (kW) / dimensions (mm)	2.1	350
Right rear zone – power (kW) / dimensions (mm)	–	–
Nominal voltage (V)	220-240	
Total connected electrical load (W)	9,300	
Cable length (cm)	110	
GB plug	–	
Appliance weight (kg)	10	
Safety approved	■	

■ Yes, model has this feature. – Feature not available for this model.

All models comply with COMMISSION (EC) No. 1275/2008 with regard to ecodesign requirements for standby and off mode electric power consumption.



quickLite ceramic hob specifications

APPLIANCE TYPE	QUICKLITE CERAMIC HOB			
Design family	iQ 100		iQ 100	
Model number	Black glass with steel trim	–	ET651HE17E	ET645CEA1E
	Black glass	ET651HE17E	–	–
	Metal-look glass	–	–	–
	Stainless steel	–	–	–
DESIGN CHARACTERISTICS				
Hob width (mm)	592		583	
Side controls	–		■	
Front controls	■		–	
Control dials	–		■	
touchControl	–		–	
touchSlider operation	■		–	
All-around trim	–		■	
Three-sided bevelled frameless finish	■		–	
Flush-fitting design / installation	–		–	
Design trim (front facette with side trim)	–		–	
Bevelled front	–		–	
Can be installed with a Siemens Domino hob	–		–	
KEY FEATURES				
Electronic control	■		–	
Electronic power level display	■		–	
Automatic safety switch off	■		–	
Control panel lock	■		–	
Super boost function	–		–	
powerBoost setting	–		–	
quickStart	–		–	
reStart	■		–	
Energy consumption display	–		–	
Automatic pan recognition	–		–	
Power management function	–		–	
Connection current management	–		–	
FEATURES				
Number of power levels	17		9	
Main on/off switch	■		–	
Timer for all zones	–		–	
Two stage residual heat indicators (H/h)	■		■	
Control panel pause	–		–	
PERFORMANCE / TECHNICAL INFORMATION				
Number of cooking zones	4		4	
Number of flexinduction zones	–		–	
Number of dual / extendible zones	–		–	
Number of triple / extendible zones	–		–	
Left zones flexInduction connected – power (kW) / dimensions (mm)	–	–	–	–
Right zones flexInduction connected – power (kW) / dimensions (mm)	–	–	–	–
Centre zones flexInduction – power (kW) / dimensions (mm)	–	–	–	–
Left front zone – power (kW) / dimensions (mm)	1.2	145	1.2	145
Left rear zone – power (kW) / dimensions (mm)	2.0	180	2.2	210
Centre front zone – power (kW) / dimensions (mm)	–	–	–	–
Centre rear zone – power (kW) / dimensions (mm)	–	–	–	–
Right front zone – power (kW) / dimensions (mm)	2.2	210	2.0	180
Right rear zone – power (kW) / dimensions (mm)	1.2	145	1.2	145
Nominal voltage (V)	220-240		220-240	
Total connected electrical load (W)	6,600		6,600	
Cable length (cm)	–		–	
GB plug	–		–	
Appliance weight (kg)	7.0		8.0	
Safety approved	■		■	

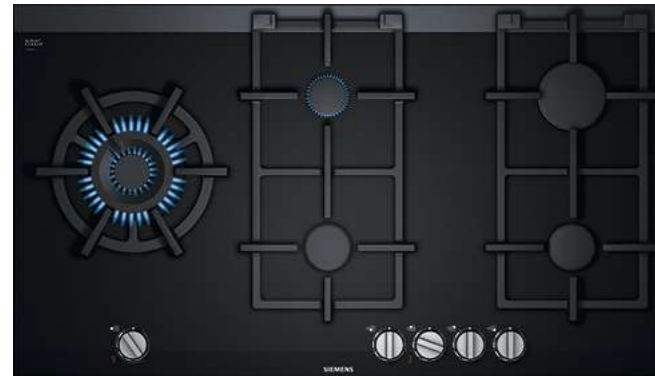
■ Yes, model has this feature. – Feature not available for this model.

All models comply with COMMISSION (EC) No. 1275/2008 with regard to ecodesign requirements for standby and off mode electric power consumption.

Gas hobs

iQ 700 ER9A6SD70

Gas hob
Black ceramic glass **90cm**



2
Year Warranty



stepFlame technology
Introducing the ground-breaking innovation in gas hobs: stepFlame. Offering 9 precise power levels to give you the control of an electric hob, with gas.

Gas hob specifications



APPLIANCE TYPE		GAS HOB	
Design family		iQ 700	
Model number	Stainless steel / stainless steel trim	ER9A6SD70	
	Black / premium black	-	
	White / premium white	-	
DESIGN			
Width (mm)		912	
Control position		Front	
KEY FEATURES			
stepFlame technology		■	
Digital power level display		■	
Number of dual circuit wok style burners ¹		1	
High power (5.0kW+) wok burner ²		■	
Dual control wok burner ³		■	
'Diamond' shape burner layout ⁴		-	
Dishwasher safe pan supports ⁵		■	
Hob surface type		Ceramic glass	
FEATURES			
Number of cooking zones		4	
Individual power levels		9	
Variable power levels		-	
Ignition via control dials		■	
Flame-failure safety device		■	
Cast iron pan supports (number)		3 x dishwasher safe	
Cast iron finish pan supports (number)ww		-	
Enamelled steel pan supports (number)		-	
Low profile single piece burners		■	
Two piece burners		-	
Comfort profile		■	
Can be combined with other models with comfort profile		■	
Installation flush with work top possible		-	
PERFORMANCE / TECHNICAL INFORMATION			
Nominal voltage (V)		220-240	
Maximum gas power output load (W)		13,700	
Total connected electrical load (W)		2.0	
Cable length (cm)		150	
GB plug		-	
Left burner power (kW)		6.00	
Front left burner power (kW)		1.10	
Back left burner power (kW)		1.90	
Centre/centre front burner power (kW)		-	
Centre back burner power (kW)		-	
Front right burner power (kW)		1.90	
Back right burner power (kW)		2.80	
Right burner power (kW)		-	
Pre-set for natural gas		■	
CE Marked		■	
STANDARD ACCESSORIES			
Wok stand ⁶		■	
LPG jets		28-30 / 37mbar	
OPTIONAL ACCESSORIES			
Connecting strip to link to other comfort profile models		HZ394301	

■ Yes, model has this feature. - Feature not available for this model.
All models comply with COMMISSION (EC) No. 1275/2008 with regard to ecodesign requirements for standby and off mode electric power consumption.

¹Dual circuit means standard outer flame ring plus 2nd inner flame ring.
²High power output for rapid heating – especially valuable for flash and wok frying.
³Dual control means the inner and outer rings of a dual circuit burner can be controlled independently.
⁴Diamond refers to the visual layout of the burners – i.e. Diamond shape as opposed to normal square layout for 60cm hobs.
Diamond layout offers:
– greater convenience / accessibility with 2 large pans at the same time.
– compared to models with wok on the rear zones, you can work with larger diameter wok pans without touching the rear wall and forcing the pan off centre over the burner.
– no need to reach over front zones to access the higher power burners.
– compared with a model with a wok at the front left there is a safety argument as it offers a good compromise between easy access and child safety.
– compared to wok front level, the extra distance to control dials allows a higher power wok burner to be used without making the controls too hot and offering added convenience in terms of power available.
⁵Pan supports can be cleaned in the dishwasher. Supports have special additional coating and hand finishing of enamel.
⁶For round based pans.

Gas hob specifications



APPLIANCE TYPE		GAS HOBS			
Design family		iQ 700	iQ 700	iQ 500	iQ 500
Model number	Stainless steel / stainless steel trim	ER7A6RD70	ER6A6PD70	-	-
	Black / premium black	-	-	EP9A6SB90	EP7A6QB90
	White / premium white	-	-	-	-
DESIGN					
Width (mm)		750	602	915	752
Control position		Front	Front	Front	Front
KEY FEATURES					
stepFlame technology		■	■	■	■
Digital power level display		■	■	-	-
Number of dual circuit wok style burners ¹		1	1	1	1
High power (5.0kW+) wok burner ²		-	-	-	-
Dual control wok burner ³		-	-	-	-
'Diamond' shape burner layout ⁴		-	-	-	-
Dishwasher safe pan supports ⁵		■	■	-	-
Hob surface type		Ceramic glass	Ceramic glass	Tempered glass	Tempered glass
FEATURES					
Number of cooking zones		4	4	5	5
Individual power levels		9	9	9	9
Variable power levels		-	-	-	-
Ignition via control dials		■	■	■	■
Flame-failure safety device		■	■	■	■
Cast iron pan supports (number)		2 x dishwasher safe	2 x dishwasher safe	5	5
Cast iron finish pan supports (number)ww		-	-	-	-
Enamelled steel pan supports (number)		-	-	-	-
Low profile single piece burners		■	■	-	-
Two piece burners		-	-	■	■
Comfort profile		■	■	-	-
Can be combined with other models wwith comfort profile		■	■	-	-
Installation flush with work top possible		-	-	■	■
PERFORMANCE / TECHNICAL INFORMATION					
Nominal voltage (V)		220-240	220-240	220-240	220-240
Maximum gas power output load (W)		11,900	7,700	11,500	11,500
Total connected electrical load (W)		2.0	2.0	1.0	1.0
Cable length (cm)		100	100	150	100
GB plug		-	-	-	-
Left burner power (kW)		-	-	4.00	-
Front left burner power (kW)		1.90	1.10	-	1.00
Back left burner power (kW)		1.90	1.90	-	1.75
Centre/centre front burner power (kW)		4.20	-	1.00	4.00
Centre back burner power (kW)		-	-	1.75	-
Front right burner power (kW)		1.10	1.90	1.75	1.75
Back right burner power (kW)		2.80	2.80	3.00	3.00
Right burner power (kW)		-	-	-	-
Pre-set for natural gas		■	■	■	■
CE Marked		■	■	■	■
STANDARD ACCESSORIES					
Wok stand ⁶		■	-	-	-
LPG jets		28-30 / 37mbar	28-30 / 37mbar	28-30 / 37mbar	28-30 / 37mbar
OPTIONAL ACCESSORIES					
Connecting strip to link to other comfort profile models		HZ394301	HZ394301	-	-

■ Yes, model has this feature. - Feature not available for this model.
All models comply with COMMISSION (EC) No. 1275/2008 with regard to ecodesign requirements for standby and off mode electric power consumption.

¹Dual circuit means standard outer flame ring plus 2nd inner flame ring.
²High power output for rapid heating – especially valuable for flash and wok frying.
³Dual control means the inner and outer rings of a dual circuit burner can be controlled independently.
⁴Diamond refers to the visual layout of the burners – i.e. Diamond shape as opposed to normal square layout for 60cm hobs.
Diamond layout offers:
– greater convenience / accessibility with 2 large pans at the same time.
– compared to models with wok on the rear zones, you can work with larger diameter wok pans without touching the rear wall and forcing the pan off centre over the burner.
– no need to reach over front zones to access the higher power burners.
– compared with a model with a wok at the front left there is a safety argument as it offers a good compromise between easy access and child safety.
– compared to wok front level, the extra distance to control dials allows a higher power wok burner to be used without making the controls too hot and offering added convenience in terms of power available.
⁵Pan supports can be cleaned in the dishwasher. Supports have special additional coating and hand finishing of enamel.
⁶For round based pans.

Gas hob specifications



APPLIANCE TYPE	GAS HOB			
Design family	■ IQ500	■ IQ500	■ IQ500	■ IQ500
Model number	Stainless steel / stainless steel trim	EC9A5SB90	EC7A5RB90	EC6A5HC90
	Black / premium black	EP6A6HB20	–	–
	White / premium white	–	–	–
DESIGN				
Width (mm)	590	915	750	582
Control position	Front	Front	Front	Front
KEY FEATURES				
stepFlame technology	■	■	■	■
Digital power level display	–	–	–	–
Number of dual circuit wok style burners ¹	1	1	1	1
High power (5.0kW+) wok burner ²	–	■	■	–
Dual control wok burner ³	–	■	■	–
'Diamond' shape burner layout ⁴	–	–	–	–
Dishwasher safe pan supports ⁵	–	–	–	–
Hob surface type	Black tempered glass	Stainless steel	Stainless steel	Stainless steel
FEATURES				
Number of cooking zones	4	5	5	4
Individual power levels	9	9	9	9
Variable power levels	–	–	–	–
Ignition via control dials	■	■	■	■
Flame-failure safety device	■	■	■	■
Cast iron pan supports (number)	4	3	3	2
Cast iron finish pan supports (number)ww	–	–	–	–
Enamelled steel pan supports (number)	–	–	–	–
Low profile single piece burners	–	–	–	–
Two piece burners	■	■	■	■
Comfort profile	–	–	–	–
Can be combined with other models with comfort profile	–	–	–	–
Installation flush with work top possible	■	–	–	–
PERFORMANCE / TECHNICAL INFORMATION				
Nominal voltage (V)	220-240	220-240	220-240	220-240
Maximum gas power output load (W)	8,000	12,500	12,500	8,000
Total connected electrical load (W)	1.0	1.0	1.0	1.0
Cable length (cm)	100	100	100	100
GB plug	–	–	–	–
Left burner power (kW)	–	5.00	–	–
Front left burner power (kW)	1.75	–	1.00	1.75
Back left burner power (kW)	1.75	–	1.75	1.75
Centre/centre front burner power (kW)	–	1.00	5.00	–
Centre back burner power (kW)	–	1.75	–	–
Front right burner power (kW)	1.00	1.75	1.75	1.00
Back right burner power (kW)	3.50	3.00	3.00	3.30
Right burner power (kW)	–	–	–	–
Pre-set for natural gas	■	■	■	■
CE Marked	■	■	■	■
STANDARD ACCESSORIES				
Wok stand ⁶	–	–	–	–
LPG jets	28-30 / 37mbar	28-30 / 37mbar	28-30 / 37mbar	28-30 / 37mbar
OPTIONAL ACCESSORIES				
Connecting strip to link to other comfort profile models	–	–	–	–

■ Yes, model has this feature. – Feature not available for this model.
 All models comply with COMMISSION (EC) No. 1275/2008 with regard to ecodesign requirements for standby and off mode electric power consumption.

¹Dual circuit means standard outer flame ring plus 2nd inner flame ring.
²High power output for rapid heating – especially valuable for flash and wok frying.
³Dual control means the inner and outer rings of a dual circuit burner can be controlled independently.
⁴Diamond refers to the visual layout of the burners – i.e. Diamond shape as opposed to normal square layout for 60cm hobs.
 Diamond layout offers:
 – greater convenience / accessibility with 2 large pans at the same time.
 – compared to models with wok on the rear zones, you can work with larger diameter wok pans without touching the rear wall and forcing the pan off centre over the burner.
 – no need to reach over front zones to access the higher power burners.
 – compared with a model with a wok at the front left there is a safety argument as it offers a good compromise between easy access and child safety.
 – compared to wok front level, the extra distance to control dials allows a higher power wok burner to be used without making the controls too hot and offering added convenience in terms of power available.
⁵Pan supports can be cleaned in the dishwasher. Supports have special additional coating and hand finishing of enamel.
⁶For round based pans.

Gas hob specifications



APPLIANCE TYPE	GAS HOB			
Design family	■ IQ500	■ IQ300	■ IQ100	■ IQ100
Model number	Stainless steel / stainless steel trim	EC6A5PB90	EG7B5QB90	EB6B5PB60
	Black / premium black	–	–	–
	White / premium white	–	–	–
DESIGN				
Width (mm)	582	750	580	580
Control position	Front	Front	Right side	Right side
KEY FEATURES				
stepFlame technology	■	–	–	–
Digital power level display	–	–	–	–
Number of dual circuit wok style burners ¹	–	1	1	–
High power (5.0kW+) wok burner ²	–	■	–	–
Dual control wok burner ³	–	■	–	–
'Diamond' shape burner layout ⁴	–	–	–	–
Dishwasher safe pan supports ⁵	–	■	–	–
Hob surface type	Stainless steel	Stainless steel	Stainless steel	Stainless steel
FEATURES				
Number of cooking zones	4	5	4	4
Individual power levels	9	–	–	–
Variable power levels	–	■	■	■
Ignition via control dials	■	■	■	■
Flame-failure safety device	■	■	■	■
Cast iron pan supports (number)	2	3	–	–
Cast iron finish pan supports (number)ww	–	–	2	2
Enamelled steel pan supports (number)	–	–	–	–
Low profile single piece burners	–	–	–	–
Two piece burners	■	■	■	■
Comfort profile	–	–	–	–
Can be combined with other models with comfort profile	–	–	–	–
Installation flush with work top possible	–	–	–	–
PERFORMANCE / TECHNICAL INFORMATION				
Nominal voltage (V)	220-240	220-240	220-240	220-240
Maximum gas power output load (W)	7,500	10,800	7,700	7,400
Total connected electrical load (W)	1.0	1.0	1.0	1.0
Cable length (cm)	100	150	100	100
GB plug	–	–	–	–
Left burner power (kW)	–	–	–	–
Front left burner power (kW)	1.75	1.00	3.30	3.00
Back left burner power (kW)	1.75	1.75	1.70	1.70
Centre/centre front burner power (kW)	–	3.30	–	–
Centre back burner power (kW)	–	–	–	–
Front right burner power (kW)	1.00	1.75	1.00	1.00
Back right burner power (kW)	3.00	3.00	1.70	1.70
Right burner power (kW)	–	–	–	–
Pre-set for natural gas	■	■	■	■
CE Marked	■	■	■	■
STANDARD ACCESSORIES				
Wok stand ⁶	–	–	–	–
LPG jets	28-30 / 37mbar	28-30 / 37mbar	28-30 / 37mbar	28-30 / 37mbar
OPTIONAL ACCESSORIES				
Connecting strip to link to other comfort profile models	–	–	–	–

■ Yes, model has this feature. – Feature not available for this model.
 All models comply with COMMISSION (EC) No. 1275/2008 with regard to ecodesign requirements for standby and off mode electric power consumption.

¹Dual circuit means standard outer flame ring plus 2nd inner flame ring.
²High power output for rapid heating – especially valuable for flash and wok frying.
³Dual control means the inner and outer rings of a dual circuit burner can be controlled independently.
⁴Diamond refers to the visual layout of the burners – i.e. Diamond shape as opposed to normal square layout for 60cm hobs.
 Diamond layout offers:
 – greater convenience / accessibility with 2 large pans at the same time.
 – compared to models with wok on the rear zones, you can work with larger diameter wok pans without touching the rear wall and forcing the pan off centre over the burner.
 – no need to reach over front zones to access the higher power burners.
 – compared with a model with a wok at the front left there is a safety argument as it offers a good compromise between easy access and child safety.
 – compared to wok front level, the extra distance to control dials allows a higher power wok burner to be used without making the controls too hot and offering added convenience in terms of power available.
⁵Pan supports can be cleaned in the dishwasher. Supports have special additional coating and hand finishing of enamel.
⁶For round based pans.

Domino hobs

iQ500 ET475FYB1E

Teppan Yaki domino hob
Steel/black glass

40cm



2
Year Warranty

Flexible cooking to your exact tastes:

Create your own bespoke cooking area with a modular domino hob mix. If one hob isn't enough or if you'd prefer a mix of fuel types, take a look through our selection of domino cooktops. The Siemens range offers specialist models such as a Teppan Yaki or handy, single wok burner, which are perfect as an add-on to your current hob. The sleek black designs with steel dials or touchSlider controls perfectly bring the range together, meaning a combination can be installed to create your ideal cooking station.



Domino hob specifications

APPLIANCE TYPE	TEPPAN YAKI DOMINO HOB	FLEXINDUCTION DOMINO HOB
Design family	iQ500	iQ700
Model number	Black glass / stainless steel trim Stainless steel	EX375FXB1E
	ET475FYB1E	-
DESIGN		
Hob width (mm)	392	302
Side controls	-	-
Front controls	■	■
Control dials	-	-
touchControl	■	■
touchSlider operation	■	■
All-around trim	-	-
Three-sided bevelled frameless finish	-	-
Flush-fitting design / installation	-	-
Design trim (front facette with side trim)	■	■
Bevelled front	-	-
Can be installed with a Siemens Domino hob	■	■
KEY FEATURES		
Electronic control	■	■
Electronic power level display	■	■
Automatic safety switch off	■	■
Control panel lock	-	-
Super boost function	-	-
powerBoost setting	-	■
quickStart	-	-
reStart	-	-
Energy consumption display	-	-
Automatic pan recognition	-	■
Power management function	-	■
Connection current management	-	-
FEATURES		
Number of power levels	9	17
Main on/off switch	■	■
Timer for all zones	■	■
Two-stage residual heat indicators (H/h)	■	■
Control panel pause	-	■
PERFORMANCE / TECHNICAL INFORMATION		
Number of cooking zones	2	2
Number of flexinduction zones	-	1
Number of dual / extendible zones	-	-
Number of triple / extendible zones	-	-
Left zones flexinduction connected – power (kW) / dimensions (mm)	-	-
Right zones flexinduction connected – power (kW) / dimensions (mm)	-	-
Centre zones flexinduction connected – power (kW) / dimensions (mm)	-	1.0-3.6 / 760
Left front zone – power (kW) / dimensions (mm)	-	-
Left rear zone – power (kW) / dimensions (mm)	-	-
Centre front zone – power (kW) / dimensions (mm)	0.95 / 292 x 344	-
Centre rear zone – power (kW) / dimensions (mm)	-	-
Right front zone – power (kW) / dimensions (mm)	-	-
Right rear zone – power (kW) / dimensions (mm)	-	-
Nominal voltage (V)	220-240	220-240
Total connected electrical load (W)	1,900	3,600
Cable length (cm)	110	110
GB plug	-	-
Appliance weight (kg)	11.0	6.0
Safety approved	■	■

■ Yes, model has this feature. – Feature not available for this model.
All models comply with COMMISSION (EC) No. 1275/2008 with regard to ecodesign requirements for standby and off mode electric power consumption.



Domino hob specifications

APPLIANCE TYPE	WOK DOMINO GAS HOB	DOMINO GAS HOB
Design family	iQ700	iQ700
Model number	Stainless steel / stainless steel trim	ER3A6AD70
	ER3A6AD70	ER3A6BD70
DESIGN		
Width (mm)	302	302
Control position	Front	Front
KEY FEATURES		
stepFlame technology	■	■
Digital power level display	■	■
Number of dual circuit wok style burners ¹	1	-
High power (5.0kW+) wok burner ²	■	-
Dual control wok burner ³	■	-
'Diamond' shape burner layout ⁴	-	-
Dishwasher safe pan supports ⁵	■	■
Hob surface type	Black ceramic glass	Black ceramic glass
FEATURES		
Number of cooking zones	1	2
Individual power levels	9	9
Variable power levels	-	-
Ignition via control dials	■	■
Flame-failure safety device	■	■
Cast iron pan supports (number)	1 x dishwasher safe	1 x dishwasher safe
Cast iron finish pan supports (number)	-	-
Enamelled steel pan supports (number)	-	-
Low profile single piece burners	■	■
Two piece burners	-	-
Comfort profile	■	■
Can be combined with other models with comfort profile	■	■
Installation flush with work top possible	-	-
PERFORMANCE / TECHNICAL INFORMATION		
Nominal voltage (V)	220-240	220-240
Maximum gas power output load (W)	6,000	4,700
Total connected electrical load (W)	1.0	1.0
Cable length (cm)	100	100
GB plug	-	-
Left burner power (kW)	-	-
Front left burner power (kW)	-	-
Back left burner power (kW)	-	-
Centre/centre front burner power (kW)	6.00	1.90
Centre back burner power (kW)	-	2.80
Front right burner power (kW)	-	-
Back right burner power (kW)	-	-
Right burner power (kW)	-	-
Pre-set for natural gas	■	■
CE Marked	■	■
STANDARD ACCESSORIES		
Wok stand ⁶	■	-
LPG jets	28-30 / 37mbar	28-30 / 37mbar
OPTIONAL ACCESSORIES		
Connecting strip to link to other comfort profile models	HEZ394301	HEZ394301

■ Yes, model has this feature. – Feature not available for this model.
All models comply with COMMISSION (EC) No. 1275/2008 with regard to ecodesign requirements for standby and off mode electric power consumption.
¹Dual circuit means standard outer flame ring plus 2nd inner flame ring.
²High power output for rapid heating – especially valuable for flash and wok frying.
³Dual control means the inner and outer rings of a dual circuit burner can be controlled independently.
⁴Diamond refers to the visual layout of the burners – i.e. Diamond shape as opposed to normal square layout for 60cm hobs.
Diamond layout offers:
– greater convenience / accessibility with 2 large pans at the same time.
– compared to models with wok on the rear zones, you can work with larger diameter wok pans without touching the rear wall and forcing the pan off centre over the burner.
– no need to reach over front zones to access the higher power burners.
– compared with a model with a wok at the front left there is a safety argument as it offers a good compromise between easy access and child safety.
– compared to wok front level, the extra distance to control dials allows a higher power wok burner to be used without making the controls too hot and offering added convenience in terms of power available.
⁵Pan supports can be cleaned in the dishwasher. Supports have special additional coating and hand finishing of enamel.
⁶For round based pans.



Models shown: ET475FYB1E Teppan Yaki domino hob and ER3A6AD70 wok domino hob

Hoods. Outstanding performance, intelligently designed.

The kitchen is the heart of the home. Not only is it a place to cook, it is a place to entertain, relax after a hard day's work, or spend time with friends and family.

Siemens hoods work hard to keep your kitchen space fresh, and full of cleaner air whilst also providing ambient lighting. There is a hood for all kitchen designs, including the inductionAir which combines our advanced flexInduction hob with a high-performance extractor for even clearer views in your kitchen. See the hobs section for details on the inductionAir (pages 61, 72 and 73).

Whether you choose a sleek ceiling hood, state-of-the-art downDraft hood, a classic chimney hood or canopy style hood our solutions will provide innovative design and a stylish finish to your kitchen. Selected Siemens hoods come with a quiet and energy efficient motor so you can cook in a more comfortable surrounding.

Siemens hood warranties:

2 Year Warranty
A Two Year Warranty is available on all Siemens hoods listed in this brochure to protect against manufacturing and material faults during this warranty period.

To find out more about your warranty and for registration please refer to page 179.

Siemens Ventilation Showcase

The screenshot shows a website interface for the Siemens Ventilation Showcase. It features a main product page for the 'iQ700 inductionAir Venting Hob' with a detailed description and technical specifications. Navigation elements include a 'Worktop Installation' section, a 'compare' button, and a 'share with your friends' button. Annotations with arrows point to various features: 'go back a level' points to a back arrow; 'watch a video' points to a video player; 'find out more about a product' points to a product selection grid; 'choose a product to find out about' points to a specific product in the grid; 'find out about a feature' points to a feature description; 'compare features of all products in range' points to a compare button; 'access the menu to navigate sections' points to a menu icon; and 'share with your friends' points to a share icon.

Discover the entire Siemens Ventilation range in more detail, watch videos, learn more about the features and functions and installation methods by visiting our online Siemens Ventilation Showcase: siemens-home.bsh-group.com/uk/ventilation-brochure



Model shown: LC97FVW69B angled hood

Installation solutions for every kitchen.

Worktop installation.

downDraft hood.



The perfect solution for keeping your kitchen design clear and with unhindered sightlines, this worktop ventilation system doesn't need any wall or ceiling mounts. When the ventilation system is integrated into your hob, it is able to extract cooking smells right at the source.

Ceiling installation.

Island and ceiling hoods.



Ideal if your hob is in the centre of your room. Our ceiling hoods can either be bold design statements installed over island units, or blend as unobtrusively into the ceiling itself as standard kitchen lighting.



Wall installation.

Decorative hoods, glass, box and pyramid chimney hoods.



Our stylish wall-mounted ventilation can be as beautiful and design led as they are effective. Our stunning angled and flat hoods feature emotionLight Pro lighting that allows you to choose from 256 colours using the Home Connect app so you can create ambience in your living space. Our more traditional pyramid, chimney and box chimney hoods provide a classic but contemporary ventilation solution.

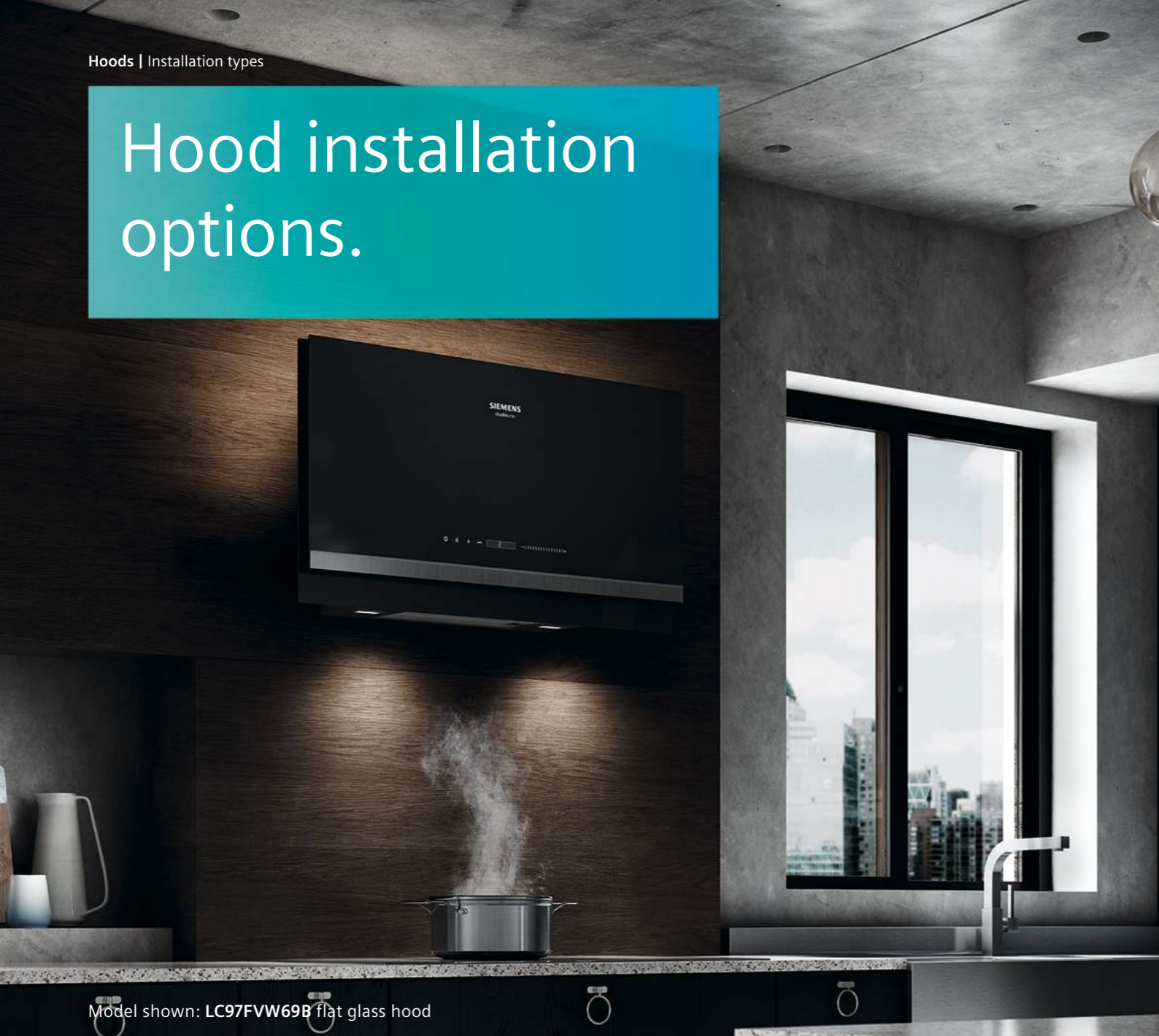
Integrated furniture installation.

Canopy, telescopic and integrated hoods.



If you need to blend the hood into existing wall-mounted kitchen units, choose from a number of options perfect for mounting inside a cupboard space. These concealed hoods are ideal for a sleek modern kitchen.

Hood installation options.



Model shown: LC97FVW69B flat glass hood

Ducted or recirculated?

For optimum performance, your extractor hood should be ducted to the outside of the house, so that the extracted air is vented outside. But sometimes this is not practical, so most Siemens hoods can also operate in recirculating mode; where the air is passed through the metal filter to remove grease, and then through a carbon filter to remove odours before being directed back into the kitchen.

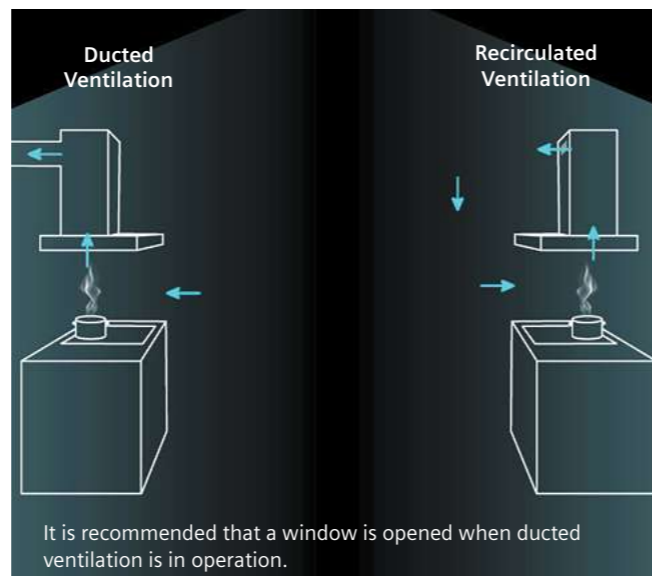
Although the extraction rate is slightly lower when using this method than ducted extraction and the carbon odour filter will need to be replaced, recirculating the air offers an energy efficient benefit; cool air is retained in the home in the summer and warm air does not vent out during winter months.

Ducted Ventilation

- Extracts up to 98% of odours with perfect installation
- Extracts steam
- Effectively planned ducting system required

Recirculated Ventilation

- Removes up to 95% of odours with cleanAir filters
- Easy to install – no ducting required
- Separate recirculation kit required



The power to perform.

A chosen hood must be powerful enough to effectively remove moisture and cooking odours from a kitchen. We recommend the hood should be able to change the air in the kitchen 6-12 times per hour. Using this quick calculation, you can check whether a hood is sufficiently powerful. Firstly, calculate the volume of the kitchen (HxWxD metres). Next multiply that figure by 12. The resulting figure is the ideal extraction rate required in intensive mode. Match this to a lower power level on the hood to avoid having to run at full power for increased efficiency.

FOR EXAMPLE

Room: 4m x 4m x 2.5m = 40m³

12 changes per hour in intensive operation: 12 x 40m³ = 480m³/h

So the hood must achieve >480m³/h in intensive mode.



Recirculation filters.



	ACTIVE CARBON FILTER	CLEAN AIR FILTER*	REGENERATIVE CLEAN AIR FILTER*
Odour reduction	Up to 86%	Up to 95%	Up to 95% or up to 86% if installed without chimney piece
Lifetime	6-12 months	12 months	10 years
Benefits	Simple installation, Anti-fish treatment	Increased surface area, High odour reduction, Up to 3dB (A) sound reduction, improved extraction and performance, Anti-fish treatment	High odour reduction, Up to 3dB (A) sound reduction, Regenerated in the oven every 4 months recommended (2 hours, 200°C), Improved extraction performance
Installation	Behind grease filters, inside the hood	Extra module required to house the CleanAir filter Option 1: stainless steel module attached to hood chimney Option 2: Integrated plastic module fitted inside the chimney piece	Extra module required (as per CleanAir filter) onto chimney or inside chimney. Chimless installation possible (Angled and flat hoods only)

*CleanAir and Regenerative filters not available for all styles of hood. Additional module may be required to house the filter. Images for example only, different filters may come in a different size and style.

State-of-the-art efficiency with our iQ700 hoods with iQ drive.



Siemens iQ700 hoods feature innovative technology that saves energy. This is thanks to the highly efficient, durable brushless iQdrive motor which is powerful, but requires very little energy to run. Capable of handling odours and grease in the most challenging cooking situations, and specially designed to last longer. The brushless iQdrive motor at the heart of our selected iQ700 hoods is capable of extracting a measured value of up to 991m³/h in our most powerful hood*.

*LC91KWW60B



Completely automatic control with cookConnect and the climateControl sensor.



Model shown: LC91KWW60B angled wall hood

Control two appliances with one: cookConnect.

Explore more seamless cooking experiences by using the cookConnect system to connect your hob and hood, so they work together effortlessly.



cookConnect system

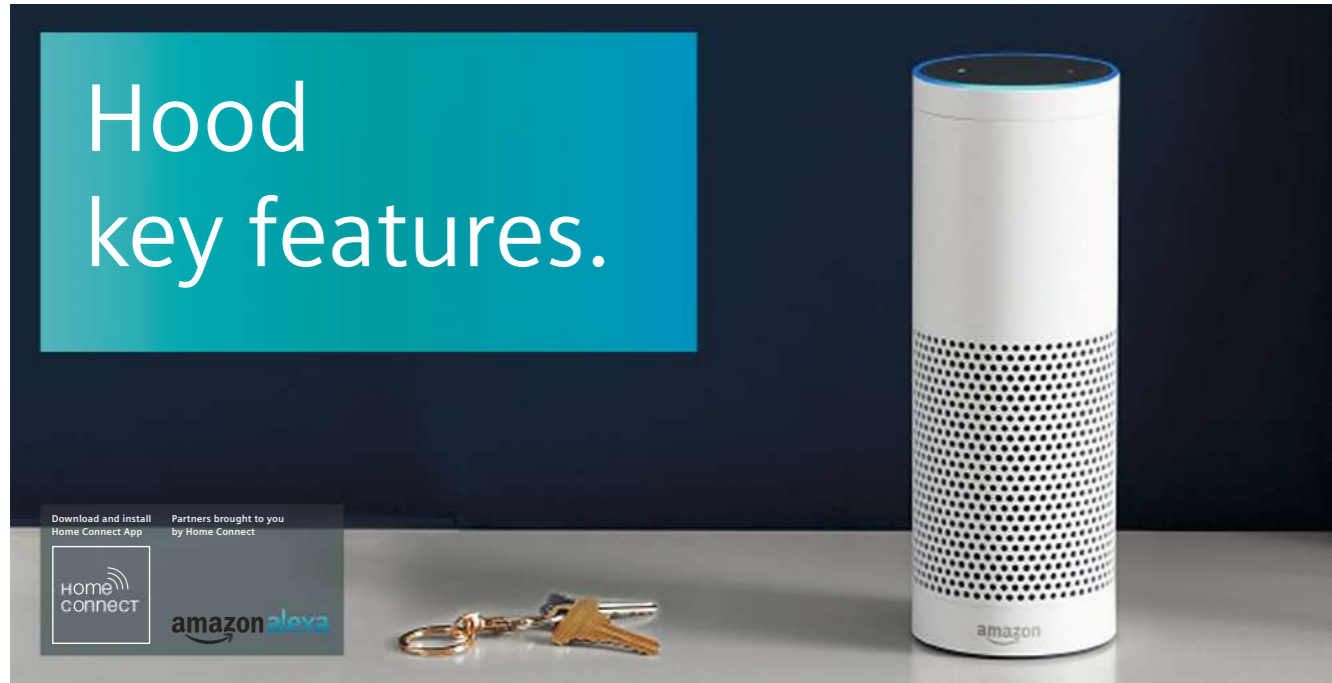
Hobs featuring Siemens cookConnect technology can now talk to cookConnect hoods via WiFi. Either connect the two appliances directly, or through the Home Connect App. Once connected just switch on the hob and the hood will start automatically. Smart sensors in the hood detect steam and odours to adjust and optimise the extraction rate to keep your kitchen fresh and the steam under control. In addition to automatic extraction the lights will also illuminate your cooking space as soon as you turn the hob on. When you're finished, you no longer need to worry about turning the hood off as the the hood will turn itself off automatically once the climateControl sensor detects no further changes in the air quality.



climateControl sensor

The climateControl sensor automatically adjusts the power level of the hood depending on the level of steam and odours keeping the kitchen fresher without having to manually adjust the power yourself. The climateControl Sensor is activated by selecting the "auto" button.





Hoods with Home Connect make cooking a breeze.

Home Connect

For Wi-Fi enabled hoods with Home Connect, explore more versatile ways of cooking. Control the lighting, select a power level, or even the fan run-on option, directly using your smartphone or tablet.

Take connected cooking a step further by using our voice control partner, Amazon Alexa, to also control these settings. Multi-task while you cook by using your voice to control the lights or power level with ease.

Through the app you can even activate the automatic mode climateControl sensor, where the hood extractor will adjust its extraction rate depending on the amount of steam and odours so you have less to worry about when cooking.

With the cookConnect system you can even utilise the Home Connect App to connect your hood and hob together. This feature allows you to change your hood settings from the hob, so you have complete control from just one appliance.

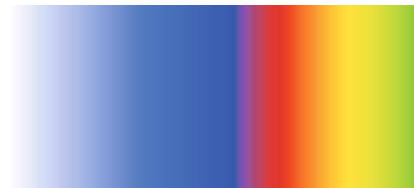
Lighting to match your mood. Your extractor hood, your style, your light.



emotionLight

Your extractor hood now adapts to your taste. Simply choose between many different background light colours – for an extractor hood that matches your preferences. The colour range is extendable via the Home Connect App, choose from 256 colours.

Using our partner, IFTTT, you can now set up Applets to change the colour of your hood depending on a variety of factors. For example if you purchased a Siemens oven with Home Connect, you could programme the hood colour to change to red when the oven finishes cooking. Simple ways to create new possibilities in your household.



Models shown below: **LC91KWW60B** black glass angled chimney hood showing emotionLight colour examples



Other lighting options.



LED Illumination

All Siemens hoods are equipped with state-of-the-art LED lighting, ensuring the hob is illuminated evenly and clearly.



softLight with Dimmer

Allows you to dim the lights of the hood, perfect for when you're finished cooking and want to create a subtle glow in your kitchen.

Controlling your hood.

Model shown: **LC97GHM50B touchControl**

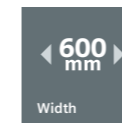
touchControl
The design of touchControl is integrated into the black glass panel for easy control at the touch of a finger, not to mention sleek design and easy cleaning.

touchSlider
Control your Siemens hood with ease by simply sliding your finger along the touchSlider to select the power level. Stunning design meets sleek control with touchSlider.

Remote control
With a hood installed in the ceiling it is important to have complete control. Siemens ceiling hoods come with a remote control to change and manage each setting with ease.

PushControl
Simply select the setting by pushing the button.

Other product features



Width

Indicates the width of the hood. Siemens offer a wide range of hoods to fit different sized niches with our range of hobs. For optimal results, the cooker hood should be at least as wide as the hob. Our hood widths range from 370-1200mm.



Energy efficient hoods*

Siemens hoods feature innovations that make them incredibly energy efficient to run, from our durable and quiet brushless iQdrive motor to LED lighting.

*For individual product energy efficiency ratings please check individual product specifications.

Intensive setting

The intensive setting creates a powerful boost of extraction, perfect for tackling demanding food such as stir fry or steamed vegetables. This ensures moisture is properly eradicated, without misting windows and keeping the kitchen air fresher.

Boost Position

For our Angled and Flat hoods, the Boost Position is enabled by slightly pulling the front panel out to capture more steam and draw more air through the hood, which is particularly effective when frying meat or fish.

Interval Operation

With interval ventilation, the hood switches on automatically at the lowest level for 10 minutes every hour, to keep the air in the kitchen refreshed. The interval ventilation switches off after 24 hours.

Automatic after running time

This convenient feature reduces cooking odours by allowing the extractor to carry on running automatically after cooking has finished at a low speed for 3 - 30 minutes - the duration the extractor carries on for depends on the model.

Filter indication indicator system

The filter saturation indicators let you know when your hood's grease filters need to be cleaned with an illuminated symbol on the hood. For hoods installed with a recirculation filter, the saturation indicator will also notify you when the recirculation filter should be replaced or regenerated (depending on type of filter installed).

Elite design and exciting innovations to impress in your kitchen: studioLine hoods.

The premium Siemens studioLine hood collection consists of one varioLift hood, three ceiling hoods, two decorative wall hoods and one downdraft hood.

Our studioLight highlight, the varioLift hood, has an impressive mechanism that means it can be lowered by up to 5 positions for maximum effect when cooking or raised to seamlessly integrate into your kitchen. Operate this appliance using voice control, or by using a remote control.

Equally the white stainless steel and white gloss ceiling hoods are elegant and sophisticated in their appearance and offer top of the range features including cookConnect; the ability to pair the hood appliance with a matching hob so the hood reacts to the hobs cooking speeds and other functions.

If you're looking for appliances to perfectly match other blackSteel studioLine appliances then our studioLine wall hoods, with their subtle operating panel, will ensure a striking design statement in your kitchen space. The disguised high-quality black metal grease filters perfectly combine form and function whilst the emotionLight Pro, exclusive to these models, offers 256 adjustable ambient background colours through the Home Connect app so you can set the ideal mood in your living space.

With options including Home Connect, LED lights and quieter iQ drive motors, explore the beautiful and impressive studioLine hoods collection with their incredible technology that helps cooking and entertaining become enjoyable and more care-free.

studioLine

Whether you are elevated or relaxed, our new varioLift works around you.

studioLine

The studioLine hood appliances are more than just highly functional equipment – they form part of an ambitious lifestyle and an expression of individuality. Siemens appliances are created for those who want to turn every day into something extraordinary.



cookConnect system

Available on selected Siemens studioLine hoods, connect this hood to a hob with the cookConnect feature and enjoy managing your hob while the hood sensors follow your cooking method and settings automatically.



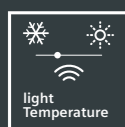
climateControl sensor

Experience seamless cooking with climateControl. This worry free function senses the volume of steam during the cooking process, adjusting the appliance automatically to ensure odours and steam are removed as quickly as possible through the hood.



iQdrive

Selected studioLine hoods feature innovative technology that saves energy. This is thanks to the highly efficient, durable brushless iQdrive motor which is powerful, but requires very little energy to run.



lightTemperature

Unique to studioLine, the adjustable LED lights offer the ability to set the lighting at a desired white colour temperature. Use the Home Connect App to adjust the hue emitted from the LED lights from cool to warm white (2,700 K - 5,000 K) via the sliding adjustment scale. This feature enables you to adjust the type of white light to align with other kitchen lighting or to set the right ambience in the room.



LR99CQS25B ceiling hood



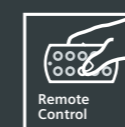
LD97DBM69B downDraft hood



LC91KWW69B Angled extractor hood



The new varioLift hood, coming September 2019. Bringing versatility and drama to the kitchen.

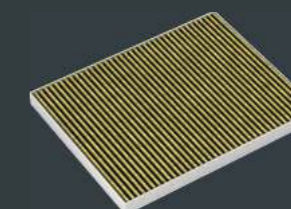


It's functional but show-stopping ability to move up and down from the ceiling seamlessly using either a remote control, through the hob or through the Home Connect App offers you more space as and when you need it. You can really tailor your kitchen space with this appliance, with a height that can be adjusted to 5 different height settings through the Home Connect App - for extra flexibility. Remote control gives you even more versatility as you can hide the appliance away when you are entertaining, creating a more spacious feel in your kitchen. Adversely you can bring the hood closer down depending on what you are cooking for easier access to the filters for cleaning. Moving the hood closer to the cooking improves performance as you can bring cooking steam closer to the extractor fan. With the integrated iQdrive you will receive quieter noise levels and you can even manage this appliance by using voice control, through Home Connect partner Amazon Alexa.

Unique filter

The studioLine varioLift hood is designed primarily for recirculation. The hood therefore comes with premium recirculation filters to keep the air in your kitchen fresh.

New CleanAir Plus filters feature the benefits of CleanAir filters with added anti-pollen properties. This special biofunctional layer binds and deactivates allergens.



LR18HLT25 varioLift extractor hood

Ceiling hoods

iQ 700 LR18HLT25

Available from **studioLine**
September 2019

Ceiling hood
Stainless steel and white glass

90cm



The studioLine varioLift ceiling hood: performance meets design

Lowered for maximum effect when cooking or raised to seamlessly integrate into your kitchen. All the time at your service via voice control.

Thanks to its varioLift function, the hood can be lowered to the desired height close to the source of steam and odours, and then moved out of sight when not in use.



Ceiling hood specifications

APPLIANCE TYPE	CEILING HOOD
Design family	iQ 500
Model number	LR18HLT25
Colour	Stainless steel & white glass
KEY FEATURES	
emotionLight Pro	–
Home Connect	■
cookConnect hob based hood control	■
climateControl sensor	■
Adjustable LED white colour temperature	■
iQdrive	■
Intensive setting / Automatic intensive revert ¹	■ / ■
Grease / charcoal filter saturation indicators	■ / ■
FEATURES	
Suitable for ducted / recirculating operation	■ / ■
Type of control	Remote Control
Power levels	3 + 2 intensive
Electronic power level display	–
Interval operation	■
Automatic after running (minutes)	10
Lighting	6 x LED lights
softLight with dimmer function	■
Number of metal grease filter cassettes	3
PERFORMANCE / TECHNICAL INFORMATION	
Appliance width (mm)	1050
Extraction Rate in m³/h ^{3,4}	
– ducted / recirculating at power level 1	– / 204
– ducted / recirculating at power level 2	– / 315
– ducted / recirculating at power level 3	– / 417
– ducted / recirculating at power level 4 or intensive setting 1	– / 573
– ducted / recirculating, intensive setting or intensive setting 2	– / 706
Noise level (sound power) based on dB(A) re 1 pW ^{5,5}	
– ducted / recirculating at power level 1	– / 43
– ducted / recirculating at power level 2	– / 55
– ducted / recirculating at power level 3	– / 63
– ducted / recirculating at power level 4 or intensive setting 1	– / 71
– ducted / recirculating, intensive setting or intensive setting 2	– / 75
Pipe outlet diameter (mm)	N/A
Minimum distance above an electric / gas hob ⁶ (mm)	700 / 700
GB plug	–
Energy rating	N/A
OPTIONAL ACCESSORIES ²	
Recirculating kit	CleanAir Filters Included
CleanAir Recirculating Module with Filter (Stainless Steel)	–
CleanAir Recirculating Module with Filter (White)	–
Regenerative CleanAir Recirculating Module with Filter (Stainless Steel)	–
Regenerative CleanAir Recirculating Module with Filter (White)	–

■ Yes, model has this feature. – Feature not available for this model.

¹Power automatically reverts back to normal setting after intensive.

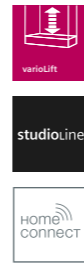
²A type of recirculating kit is required if recirculating.

³Air flow and noise declarations made in line with CECEC Code of Conduct.

⁴Measured according to EN61591 on largest pipe diameter.

⁵Sound power measured according to EN60704-3 on largest pipe diameter.

⁶From top of pan supports. Depending on the model, a 'Recirculating odour filter kit' will consist of the following items: Charcoal filter, flexible hose, air duct, fixing components, installation instructions.



Ceiling hood specifications

APPLIANCE TYPE	CEILING HOODS			
Design family	iQ 700	iQ 700	iQ 700	iQ 500
Model number	LR29CQ525B	LR99CQ525B	LR97CQ525B	LR97CAQ50B
Colour	White & white glass	White & white glass	White & white glass	Stainless steel
KEY FEATURES				
emotionLight Pro	–	–	–	–
Home Connect	■	■	■	■
cookConnect hob based hood control	■	■	■	■
climateControl sensor	■	■	■	–
Adjustable LED white colour temperature	■	■	■	–
iQdrive	■	■	■	■
Intensive setting / Automatic intensive revert ¹	■ / ■	■ / ■	■ / ■	■ / ■
Grease / charcoal filter saturation indicators	■ / ■	■ / ■	■ / ■	■ / ■
FEATURES				
Suitable for ducted / recirculating operation	■ / ■	■ / ■	■ / ■	■ / ■
Type of control	Remote Control	Remote Control	Remote Control	Remote Control
Power levels	3 + 2 intensive	3 + 2 intensive	3 + 2 intensive	3 + 2 intensive
Electronic power level display	–	–	–	–
Interval operation	■	■	■	■
Automatic after running (minutes)	10	10	10	10
Lighting	LED panel	LED panel	4 x LED lights	4 x LED lights
softLight with dimmer function	■	■	■	■
Number of metal grease filter cassettes	2	2	2	2
PERFORMANCE / TECHNICAL INFORMATION				
Appliance width (mm)	1200	900	900	900
Extraction Rate in m³/h ^{3,4}				
– ducted / recirculating at power level 1	265 / 197	265 / 197	265 / 200	265 / 200
– ducted / recirculating at power level 2	331 / 313	331 / 313	335 / 316	335 / 316
– ducted / recirculating at power level 3	458 / 419	458 / 419	458 / 422	458 / 422
– ducted / recirculating at power level 4 or intensive setting 1	672 / 537	672 / 537	594 / 513	594 / 513
– ducted / recirculating, intensive setting or intensive setting 2	933 / 637	933 / 637	798 / 565	798 / 565
Noise level (sound power) based on dB(A) re 1 pW ^{5,5}				
– ducted / recirculating at power level 1	41 / 47	41 / 47	41 / 46	41 / 46
– ducted / recirculating at power level 2	47 / 56	47 / 56	47 / 57	47 / 57
– ducted / recirculating at power level 3	56 / 63	56 / 63	56 / 63	56 / 63
– ducted / recirculating at power level 4 or intensive setting 1	64 / 68	64 / 68	62 / 67	62 / 67
– ducted / recirculating, intensive setting or intensive setting 2	70 / 72	70 / 72	68 / 69	68 / 69
Pipe outlet diameter (mm)	150	150	150	150
Minimum distance above an electric / gas hob ⁶ (mm)	650 / 650	650 / 650	650 / 650	650 / 650
GB plug	■	■	■	■
Energy rating	A	A	A	A
OPTIONAL ACCESSORIES ²				
Recirculating kit	–	–	–	–
CleanAir Recirculating Module with Filter (Stainless Steel)	LZ20JCC50	LZ20JCC50	LZ20JCC50	LZ20JCC50
CleanAir Recirculating Module with Filter (White)	LZ20JCC20	LZ20JCC20	LZ20JCC20	LZ20JCC20
Regenerative CleanAir Recirculating Module with Filter (Stainless Steel)	LZ20JCD50	LZ20JCD50	LZ20JCD50	LZ20JCD50
Regenerative CleanAir Recirculating Module with Filter (White)	LZ20JCD20	LZ20JCD20	LZ20JCD20	LZ20JCD20

■ Yes, model has this feature. – Feature not available for this model.

¹Power automatically reverts back to normal setting after intensive.

²A type of recirculating kit is required if recirculating.

³Air flow and noise declarations made in line with CECEC Code of Conduct.

⁴Measured according to EN61591 on largest pipe diameter.

⁵Sound power measured according to EN60704-3 on largest pipe diameter.

⁶From top of pan supports. Depending on the model, a 'Recirculating odour filter kit' will consist of the following items: Charcoal filter, flexible hose, air duct, fixing components, installation instructions.



Model shown: LD97DBM69B downDraft hood

The finishing touch for your kitchen. Now with flexible installation.

Extract cooking smells at source with the iQ700 downDraft hood, ideal for keeping the sightlines of open plan kitchens. Conveniently placed within the worktop, this elegant hood can be automatically raised when needed, then disappears at the touch of a button. There is no need to worry about losing all your storage space beneath as you can place the motor somewhere more convenient with the remote installation kit.



Model shown: LD97DBM60B downDraft hood

Improved performance. Premium design.

The Siemens Remote Motor Installation Mounting Kit (LZ29IDM00) frees up space under the worktop and provides the option to mount the motor up to 3 metres away from the appliance. Image for illustrative purposes only. Ducting not supplied.



downDraft hoods

iQ700 LD97DBM69B

studioLine

downDraft hood
Stainless steel and black glass



2
Year Warranty

studioLine

downDraft hood specifications

APPLIANCE TYPE	DOWNDRAFT HOODS	
	iQ700	iQ700
Design family	LD97DBM69B	LD97DBM60B
Model number	LD97DBM69B	LD97DBM60B
Colour	Stainless steel & black glass	Stainless steel & black glass
KEY FEATURES		
emotionLight Pro	–	–
Home Connect	–	–
cookConnect hob based hood control	–	–
climateControl sensor	–	–
Adjustable LED white colour temperature	–	–
iQdrive	–	–
Intensive setting / Automatic intensive revert ¹	■ / ■	■ / ■
Grease / charcoal filter saturation indicators	■ / ■	■ / ■
FEATURES		
Suitable for ducted / recirculating operation	■ / ■	■ / ■
Type of control	Touch Control	Touch Control
Power levels	3 + 2 intensive	3 + 2 intensive
Electronic power level display	–	–
Interval operation	–	–
Automatic after running (minutes)	10	10
Lighting	LED 7W strip	LED 7W strip
softLight with dimmer function	–	–
Number of metal grease filter cassettes	2	2
PERFORMANCE / TECHNICAL INFORMATION		
Appliance width (mm)	912	912
Extraction Rate in m³/h^{3,4}		
- ducted / recirculating at power level 1	260 / 230	260 / 230
- ducted / recirculating at power level 2	428 / 410	428 / 410
- ducted / recirculating at power level 3	530 / 452	530 / 452
- ducted / recirculating at power level 4 or intensive setting 1	630 / 482	630 / 482
- ducted / recirculating, intensive setting or intensive setting 2	750 / 500	750 / 500
Noise level (sound power) based on dB(A) re 1 pW^{3,5}		
- ducted / recirculating at power level 1	43 / 37	43 / 37
- ducted / recirculating at power level 2	58 / 70	58 / 70
- ducted / recirculating at power level 3	62 / 72	62 / 72
- ducted / recirculating at power level 4 or intensive setting 1	66 / 74	66 / 74
- ducted / recirculating, intensive setting or intensive setting 2	67 / 75	67 / 75
Pipe outlet diameter (mm)	150	150
Minimum distance above an electric / gas hob ⁶ (mm)	–	–
GB plug	■	■
Energy rating	A	A
OPTIONAL ACCESSORIES⁷		
Recirculating kit	LZ29IDP00	LZ29IDP00
downDraft remote motor mounting kit	LZ29IDM00	LZ29IDM00

■ Yes, model has this feature. – Feature not available for this model.

¹Power automatically reverts back to normal setting after intensive.

²A type of recirculating kit is required if recirculating.

³Air Flow and noise declarations made in line with CECEC Code of Conduct.

⁴Measured according to EN61591 on largest pipe diameter.

⁵Sound power measured according to EN60704-3 on largest pipe diameter.

⁶From top of pan supports. Depending on the model, a "Recirculating odour filter kit" will consist of the following items: Charcoal filter, flexible hose, air duct, fixing components, installation instructions.



Model shown: LF31IVV60
island cube hood

Island hoods

iQ 700 LF31IVV60

Island cube hood
Black glass



2
Year Warranty



Island hood specifications

APPLIANCE TYPE	ISLAND CUBE	ISLAND	
Design family	iQ 700	iQ 700	iQ 300
Model number	LF31IVV60	LF918UV50B	LF97GBM50B
Colour	Black glass	Stainless steel	Stainless steel and glass
KEY FEATURES			
emotionLight Pro	-	-	-
Home Connect	■	■	-
cookConnect hob based hood control	■	■	-
climateControl sensor	■	■	-
Adjustable LED white colour temperature	-	-	-
iQdrive	■	-	-
Intensive setting / Automatic intensive revert ¹	■ / ■	■ / ■	■ / ■
Grease / charcoal filter saturation indicators	■ / ■	■ / ■	- / -
FEATURES			
Suitable for ducted / recirculating operation	- / ■	■ / ■	■ / ■
Type of control	Touch Control	Touch Control	Touch Control
Power levels	3 + 2 intensive	3 + 2 intensive	3 + 1 intensive
Electronic power level display	■	■	-
Interval operation	-	-	-
Automatic after running (minutes)	10	10	-
Lighting	4 x LED lights	4 x LED lights	4 x LED lights
softLight with dimmer function	■	■	■
Number of metal grease filter cassettes	1	3	2
PERFORMANCE / TECHNICAL INFORMATION			
Appliance width (mm)	370	898	898
Extraction Rate in m³/h^{3,4}			
- ducted / recirculating at power level 1	- / 180	283 / 171	243 / 173
- ducted / recirculating at power level 2	- / 310	443 / 315	328 / 253
- ducted / recirculating at power level 3	- / 390	597 / 359	429 / 315
- ducted / recirculating at power level 4 or intensive setting 1	- / 450	815 / 392	- / -
- ducted / recirculating, intensive setting or intensive setting 2	- / 510	980 / 427	732 / 384
Noise level (sound power) based on dB(A) re 1 pW^{4,5}			
- ducted / recirculating at power level 1	- / 52	43 / 59	47 / 62
- ducted / recirculating at power level 2	- / 64	55 / 69	54 / 69
- ducted / recirculating at power level 3	- / 69	62 / 72	60 / 73
- ducted / recirculating at power level 4 or intensive setting 1	- / 72	69 / 74	- / -
- ducted / recirculating, intensive setting or intensive setting 2	- / 74	73 / 76	71 / 77
Pipe outlet diameter (mm)	N/A	150 / 120	150 / 120
Minimum distance above an electric / gas hob ⁶ (mm)	550 / 650	550 / 650	550 / 650
GB plug	-	■	■
Energy rating	N/A	A+	B
OPTIONAL ACCESSORIES⁷			
Recirculating kit	CleanAir Filter Included	LZ53850	LZ53650
CleanAir Recirculating filter kit (stainless steel module)	-	LZ57600	LZ57500
Replacement Regenerative CleanAir filter	-	LZ00XXP00	LZ00XXP00

■ Yes, model has this feature. - Feature not available for this model.
¹Power automatically reverts back to normal setting after intensive.
²A type of recirculating kit is required if recirculating.
³Air Flow and noise declarations made in line with CECEC Code of Conduct.
⁴Measured according to EN61591 on largest pipe diameter.
⁵Sound power measured according to EN60704-3 on largest pipe diameter.
⁶From top of pan supports. Depending on the model, a 'Recirculating odour filter kit' will consist of the following items: Charcoal filter, flexible hose, air duct, fixing components, installation instructions.

Decorative hoods

iQ 700 LC91KWW69B

Angled chimney hood
Black glass

90cm



2
Year Warranty



Angled hood specifications

APPLIANCE TYPE	ANGLED HOOD
Design family	iQ 700
Model number	LC91KWW69B
Colour	Black Glass
KEY FEATURES	
emotionLight Pro	■
Home Connect	■
cookConnect hob based hood control	■
climateControl sensor	■
Adjustable LED white colour temperature	-
iQdrive	■
Intensive setting / Automatic intensive revert ¹	■ / ■
Grease / charcoal filter saturation indicators	■ / ■
FEATURES	
Suitable for ducted / recirculating operation	■ / ■
Type of control	Touch Control
Power levels	3 + 2 intensive
Electronic power level display	-
Interval operation	■
Automatic after running (minutes)	10
Lighting	2 x LED lights
softLight with dimmer function	■
Number of metal grease filter cassettes	2
PERFORMANCE / TECHNICAL INFORMATION	
Appliance width (mm)	890
Extraction Rate in m ³ /h ^{3,4}	
- ducted / recirculating at power level 1	298 / 199
- ducted / recirculating at power level 2	383 / 321
- ducted / recirculating at power level 3	527 / 435
- ducted / recirculating at power level 4 or intensive setting 1	710 / 531
- ducted / recirculating, intensive setting or intensive setting 2	988 / 587
Noise level (sound power) based on dB(A) re 1 pW ^{3,5}	
- ducted / recirculating at power level 1	42 / 50
- ducted / recirculating at power level 2	48 / 60
- ducted / recirculating at power level 3	56 / 67
- ducted / recirculating at power level 4 or intensive setting 1	62 / 73
- ducted / recirculating, intensive setting or intensive setting 2	69 / 76
Pipe outlet diameter (mm)	150 / 120
Minimum distance above an electric / gas hob ⁶ (mm)	450 / 600
GB plug	■
Energy rating	A+
OPTIONAL ACCESSORIES ²	
Recirculating kit	LZ10AKU00
Recirculating kit (without chimney)	LZ10AKT00
Regenerative CleanAir recirculating kit	LZ10AKS00
Regenerative CleanAir recirculating kit (without chimney)	LZ10AKR00

■ Yes, model has this feature. - Feature not available for this model.
¹Power automatically reverts back to normal setting after intensive.
²A type of recirculating kit is required if recirculating.
³Air Flow and noise declarations made in line with CECEC Code of Conduct.
⁴Measured according to EN61591 on largest pipe diameter.
⁵Sound power measured according to EN60704-3 on largest pipe diameter.
⁶From top of pan supports. Depending on the model, a 'Recirculating odour filter kit' will consist of the following items: Charcoal filter, flexible hose, air duct, fixing components, installation instructions.



Angled and flat hood specifications

APPLIANCE TYPE	FLAT HOOD	ANGLED HOODS			
	iQ 700	iQ 700	iQ 300	iQ 300	iQ 300
Design family	iQ 700	iQ 700	iQ 300	iQ 300	iQ 300
Model number	LC91KWW69B	LC91KWW60B	LC87KBM60B	LC87KHM60B	LC67KHM60B
Colour	Black glass	Black glass	Black glass	Black glass	Black glass
KEY FEATURES					
emotionLight Pro	■	■	-	-	-
Home Connect	■	■	-	-	-
cookConnect hob based hood control	■	■	-	-	-
climateControl sensor	■	■	-	-	-
Adjustable LED white colour temperature	-	-	-	-	-
iQdrive	■	■	-	-	-
Intensive setting / Automatic intensive revert ¹	■ / ■	■ / ■	■ / ■	■ / ■	■ / ■
Grease / charcoal filter saturation indicators	■ / ■	■ / ■	- / -	- / -	- / -
FEATURES					
Suitable for ducted / recirculating operation	■ / ■	■ / ■	■ / ■	■ / ■	■ / ■
Type of control	Touch Control	Touch Control	Touch Control	Touch Control	Touch Control
Power levels	3 + 2 intensive	3 + 2 intensive	3 + 1 intensive	3 + 1 intensive	3 + 1 intensive
Electronic power level display	■	■	-	-	-
Interval operation	-	-	-	-	-
Automatic after running (minutes)	10	10	-	-	-
Lighting	2 x LED lights	2 x LED lights	2 x LED lights	2 x LED lights	2 x LED lights
softLight with dimmer function	■	■	-	-	-
Number of metal grease filter cassettes	2	2	2	2	2
PERFORMANCE / TECHNICAL INFORMATION					
Appliance width (mm)	890	890	790	790	590
Extraction Rate in m ³ /h ^{3,4}					
- ducted / recirculating at power level 1	227 / 130	293 / 199	252 / 209	253 / 218	253 / 218
- ducted / recirculating at power level 2	320 / 218	393 / 347	321 / 286	332 / 293	332 / 293
- ducted / recirculating at power level 3	394 / 294	525 / 447	408 / 386	416 / 388	416 / 388
- ducted / recirculating at power level 4 or intensive setting 1	532 / 409	712 / 539	- / -	- / -	- / -
- ducted / recirculating, intensive setting or intensive setting 2	717 / 527	991 / 624	676 / 565	700 / 557	700 / 557
Noise level (sound power) based on dB(A) re 1 pW ^{3,5}					
- ducted / recirculating at power level 1	43 / 43	45 / 51	48 / 54	48 / 55	48 / 55
- ducted / recirculating at power level 2	52 / 54	50 / 63	54 / 61	53 / 60	53 / 60
- ducted / recirculating at power level 3	57 / 60	58 / 69	57 / 67	58 / 66	58 / 66
- ducted / recirculating at power level 4 or intensive setting 1	64 / 67	65 / 74	- / -	- / -	- / -
- ducted / recirculating, intensive setting or intensive setting 2	70 / 73	71 / 78	67 / 75	67 / 75	67 / 75
Pipe outlet diameter (mm)	150 / 120	150 / 120	150 / 120	150 / 120	150 / 120
Minimum distance above an electric / gas hob ⁶ (mm)	450 / 600	450 / 600	450 / 600	450 / 600	450 / 600
GB plug	■	■	■	■	■
Energy rating	B	A+	B	B	B
OPTIONAL ACCESSORIES ²					
Recirculating kit	LZ10AFU00	LZ10AKU00	LZ10AKU00	LZ10AKU00	LZ10AKU00
Recirculating kit (without chimney)	LZ10AFT00	LZ10AKT00	LZ10AKT00	LZ10AKT00	LZ10AKT00
Regenerative CleanAir recirculating kit	LZ10AFS00	LZ10AKS00	LZ10AKS00	LZ10AKS00	LZ10AKS00
Regenerative CleanAir recirculating kit (without chimney)	LZ10AFR00	LZ10AKR00	LZ10AKR00	LZ10AKR00	LZ10AKR00

■ Yes, model has this feature. - Feature not available for this model.
¹Power automatically reverts back to normal setting after intensive.
²A type of recirculating kit is required if recirculating.
³Air Flow and noise declarations made in line with CECEC Code of Conduct.
⁴Measured according to EN61591 on largest pipe diameter.
⁵Sound power measured according to EN60704-3 on largest pipe diameter.
⁶From top of pan supports. Depending on the model, a 'Recirculating odour filter kit' will consist of the following items: Charcoal filter, flexible hose, air duct, fixing components, installation instructions.

Glass chimney hoods

iQ300 LC97GHM50B

Straight glass chimney hood
Stainless steel

90cm



2
Year Warranty



Glass hood specifications

APPLIANCE TYPE	STRAIGHT GLASS HOOD
Design family	iQ300
Model number	LC97GHM50B
Colour	Stainless steel & glass
KEY FEATURES	
emotionLight Pro	-
Home Connect	-
cookConnect hob based hood control	-
climateControl sensor	-
Adjustable LED white colour temperature	-
iQdrive	-
Intensive setting / Automatic intensive revert ¹	■ / ■
Grease / charcoal filter saturation indicators	- / -
FEATURES	
Suitable for ducted / recirculating operation	■ / ■
Type of control	Touch Control
Power levels	3 + 1 intensive
Electronic power level display	-
Interval operation	-
Automatic after running (minutes)	-
Lighting	2 x LED lights
softLight with dimmer function	-
Number of metal grease filter cassettes	2
PERFORMANCE/TECHNICAL INFORMATION	
Appliance width (mm)	900
Extraction Rate in m³/h^{3,4}	
- ducted / recirculating at power level 1	269 / 183
- ducted / recirculating at power level 2	342 / 262
- ducted / recirculating at power level 3	458 / 321
- ducted / recirculating at power level 4 or intensive setting 1	- / -
- ducted / recirculating, intensive setting or intensive setting 2	752 / 379
Noise level (sound power) based on dB(A) re 1 pW^{3,5}	
- ducted / recirculating at power level 1	52 / 63
- ducted / recirculating at power level 2	57 / 70
- ducted / recirculating at power level 3	64 / 73
- ducted / recirculating at power level 4 or intensive setting 1	- / -
- ducted / recirculating, intensive setting or intensive setting 2	73 / 76
Pipe outlet diameter (mm)	150 / 120
Minimum distance above an electric / gas hob ⁶ (mm)	550 / 650
GB plug	■
Energy rating	B
OPTIONAL ACCESSORIES²	
Recirculating kit	LZ10DXU00
Recirculating kit (without chimney)	LZ57000
Regenerative CleanAir recirculating kit	LZ10FXI00
Regenerative CleanAir recirculating kit (without chimney)	LZ10FXJ00

■ Yes, model has this feature. - Feature not available for this model.

¹Power automatically reverts back to normal setting after intensive.

²A type of recirculating kit is required if recirculating.

³Air Flow and noise declarations made in line with CECEC Code of Conduct.

⁴Measured according to EN61591 on largest pipe diameter.

⁵Sound power measured according to EN60704-3 on largest pipe diameter.

⁶From top of pan supports. Depending on the model, a 'Recirculating odour filter kit' will consist of the following items: Charcoal filter, flexible hose, air duct, fixing components, installation instructions.



Glass hood specifications

APPLIANCE TYPE	STRAIGHT GLASS HOOD	CURVED GLASS HOODS	
Design family	iQ300	iQ300	iQ300
Model number	LC67GHM50B	LC97AFM50B	LC67AFM50B
Colour	Stainless steel & glass	Stainless steel & glass	Stainless steel & glass
KEY FEATURES			
emotionLight Pro	-	-	-
Home Connect	-	-	-
cookConnect hob based hood control	-	-	-
climateControl sensor	-	-	-
Adjustable LED white colour temperature	-	-	-
iQdrive	-	-	-
Intensive setting / Automatic intensive revert ¹	■ / ■	■ / ■	■ / ■
Grease / charcoal filter saturation indicators	- / -	- / -	- / -
FEATURES			
Suitable for ducted / recirculating operation	■ / ■	■ / ■	■ / ■
Type of control	Touch Control	Touch Control	Touch Control
Power levels	3 + 1 intensive	3 + 1 intensive	3 + 1 intensive
Electronic power level display	-	-	-
Interval operation	-	-	-
Automatic after running (minutes)	-	-	-
Lighting	2 x LED lights	2 x LED lights	2 x LED lights
softLight with dimmer function	-	-	-
Number of metal grease filter cassettes	1	1	1
PERFORMANCE/TECHNICAL INFORMATION			
Appliance width (mm)	600	900	600
Extraction Rate in m³/h^{3,4}			
- ducted / recirculating at power level 1	276 / 199	260 / 202	266 / 213
- ducted / recirculating at power level 2	359 / 275	343 / 276	349 / 285
- ducted / recirculating at power level 3	470 / 329	463 / 327	474 / 331
- ducted / recirculating at power level 4 or intensive setting 1	- / -	- / -	- / -
- ducted / recirculating, intensive setting or intensive setting 2	697 / 382	702 / 380	715 / 379
Noise level (sound power) based on dB(A) re 1 pW^{3,5}			
- ducted / recirculating at power level 1	52 / 62	54 / 63	54 / 65
- ducted / recirculating at power level 2	58 / 69	60 / 70	61 / 70
- ducted / recirculating at power level 3	64 / 73	67 / 74	67 / 73
- ducted / recirculating at power level 4 or intensive setting 1	- / -	- / -	- / -
- ducted / recirculating, intensive setting or intensive setting 2	72 / 76	74 / 77	74 / 76
Pipe outlet diameter (mm)	150 / 120	150 / 120	150 / 120
Minimum distance above an electric / gas hob ⁶ (mm)	550 / 650	550 / 650	550 / 650
GB plug	■	■	■
Energy rating	B	B	B
OPTIONAL ACCESSORIES²			
Recirculating kit	LZ10DXU00	LZ10DXU00	LZ10DXU00
Recirculating kit (without chimney)	LZ57000	LZ57000	LZ57000
Regenerative CleanAir recirculating kit	LZ10FXI00	LZ10FXI00	LZ10FXI00
Regenerative CleanAir recirculating kit (without chimney)	LZ10FXJ00	LZ10FXJ00	LZ10FXJ00

■ Yes, model has this feature. - Feature not available for this model.

¹Power automatically reverts back to normal setting after intensive.

²A type of recirculating kit is required if recirculating.

³Air Flow and noise declarations made in line with CECEC Code of Conduct.

⁴Measured according to EN61591 on largest pipe diameter.

⁵Sound power measured according to EN60704-3 on largest pipe diameter.

⁶From top of pan supports. Depending on the model, a 'Recirculating odour filter kit' will consist of the following items: Charcoal filter, flexible hose, air duct, fixing components, installation instructions.



Box chimney hoods

iQ 700 LC91BUV50B

Box chimney hood
Stainless steel

90cm



2
Year Warranty



APPLIANCE TYPE	BOX CHIMNEY HOOD
Design family	iQ 700
Model number	LC91BUV50B
Colour	Stainless steel
KEY FEATURES	
emotionLight Pro	-
Home Connect	■
cookConnect hob based hood control	■
climateControl sensor	■
Adjustable LED white colour temperature	-
iQdrive	■
Intensive setting / Automatic intensive revert ¹	■ / ■
Grease / charcoal filter saturation indicators	■ / ■
FEATURES	
Suitable for ducted / recirculating operation	■ / ■
Type of control	Touch Control
Power levels	3 + 2 intensive
Electronic power level display	■
Interval operation	-
Automatic after running (minutes)	10
Lighting	3 x LED lights
softLight with dimmer function	■
Number of metal grease filter cassettes	3
PERFORMANCE / TECHNICAL INFORMATION	
Appliance width (mm)	898
Extraction Rate in m³/h^{3,4}	
- ducted / recirculating at power level 1	276 / 175
- ducted / recirculating at power level 2	436 / 320
- ducted / recirculating at power level 3	601 / 362
- ducted / recirculating at power level 4 or intensive setting 1	800 / 395
- ducted / recirculating, intensive setting or intensive setting 2	964 / 428
Noise level (sound power) based on dB(A) re 1 pW^{5,5}	
- ducted / recirculating at power level 1	45 / 58
- ducted / recirculating at power level 2	56 / 70
- ducted / recirculating at power level 3	64 / 73
- ducted / recirculating at power level 4 or intensive setting 1	70 / 74
- ducted / recirculating, intensive setting or intensive setting 2	73 / 76
Pipe outlet diameter (mm)	150 / 120
Minimum distance above an electric / gas hob ⁶ (mm)	550 / 650
GB plug	■
Energy rating	A+
OPTIONAL ACCESSORIES⁷	
Recirculating kit	LZ53450
Recirculating kit (without chimney)	LZ57300
Regenerative CleanAir recirculating kit	LZ10FXI05
Regenerative CleanAir recirculating kit (without chimney)	LZ10FXJ05

■ Yes, model has this feature. - Feature not available for this model.
¹Power automatically reverts back to normal setting after intensive.
²A type of recirculating kit is required if recirculating.
³Air Flow and noise declarations made in line with CECEC Code of Conduct.
⁴Measured according to EN61591 on largest pipe diameter.
⁵Sound power measured according to EN60704-3 on largest pipe diameter.
⁶From top of pan supports. Depending on the model, a 'Recirculating odour filter kit' will consist of the following items: Charcoal filter, flexible hose, air duct, fixing components, installation instructions.

Box hood specifications



APPLIANCE TYPE	BOX CHIMNEY HOODS				
Design family	iQ 300	iQ 300	iQ 300	iQ 100	iQ 100
Model number	LC97BHM50B	LC77BHM50B	LC67BHM50B	LC94BBC50B	LC64BBC50B
Colour	Stainless steel	Stainless steel	Stainless steel	Stainless steel	Stainless steel
KEY FEATURES					
emotionLight Pro	-	-	-	-	-
Home Connect	-	-	-	-	-
cookConnect hob based hood control	-	-	-	-	-
climateControl sensor	-	-	-	-	-
Adjustable LED white colour temperature	-	-	-	-	-
iQdrive	-	-	-	-	-
Intensive setting / Automatic intensive revert ¹	■ / ■	■ / ■	■ / ■	- / -	- / -
Grease / charcoal filter saturation indicators	- / -	- / -	- / -	- / -	- / -
FEATURES					
Suitable for ducted / recirculating operation	■ / ■	■ / ■	■ / ■	■ / ■	■ / ■
Type of control	Touch Control	Touch Control	Touch Control	Push Button Control	Push Button Control
Power levels	3 + 1 intensive	3 + 1 intensive	3 + 1 intensive	3	3
Electronic power level display	-	-	-	-	-
Interval operation	-	-	-	-	-
Automatic after running (minutes)	-	-	-	-	-
Lighting	2 x LED lights	2 x LED lights	2 x LED lights	2 x LED lights	2 x LED lights
softLight with dimmer function	-	-	-	-	-
Number of metal grease filter cassettes	3	2	2	3	2
PERFORMANCE / TECHNICAL INFORMATION					
Appliance width (mm)	900	750	600	900	600
Extraction Rate in m³/h^{3,4}					
- ducted / recirculating at power level 1	266 / 187	266 / 187	269 / 183	198 / 120	198 / 122
- ducted / recirculating at power level 2	345 / 270	345 / 270	342 / 262	263 / 162	263 / 165
- ducted / recirculating at power level 3	453 / 324	453 / 324	458 / 321	365 / 195	365 / 197
- ducted / recirculating at power level 4 or intensive setting 1	- / -	- / -	- / -	- / -	- / -
- ducted / recirculating, intensive setting or intensive setting 2	739 / 379	739 / 379	752 / 379	- / -	- / -
Noise level (sound power) based on dB(A) re 1 pW^{5,5}					
- ducted / recirculating at power level 1	52 / 63	52 / 63	52 / 63	49 / 55	49 / 56
- ducted / recirculating at power level 2	58 / 70	58 / 70	57 / 70	57 / 61	57 / 61
- ducted / recirculating at power level 3	65 / 74	65 / 74	64 / 73	64 / 66	63 / 66
- ducted / recirculating at power level 4 or intensive setting 1	- / -	- / -	- / -	- / -	- / -
- ducted / recirculating, intensive setting or intensive setting 2	74 / 77	74 / 77	73 / 76	- / -	- / -
Pipe outlet diameter (mm)	150 / 120	150 / 120	150 / 120	150 / 120	150 / 120
Minimum distance above an electric / gas hob ⁶ (mm)	550 / 650	550 / 650	550 / 650	550 / 650	550 / 650
GB plug	■	■	■	■	■
Energy rating	B	B	B	D	D
OPTIONAL ACCESSORIES⁷					
Recirculating kit	LZ10DXU00	LZ10DXU00	LZ10DXU00	LZ10DXU00	LZ10DXU00
Recirculating kit (without chimney)	LZ57000	LZ57000	LZ57000	LZ57000	LZ57000
Regenerative CleanAir recirculating kit	LZ10FXI00	LZ10FXI00	LZ10FXI00	LZ10FXI00	LZ10FXI00
Regenerative CleanAir recirculating kit (without chimney)	LZ10FXJ00	LZ10FXJ00	LZ10FXJ00	LZ10FXJ00	LZ10FXJ00

■ Yes, model has this feature. - Feature not available for this model.
¹Power automatically reverts back to normal setting after intensive.
²A type of recirculating kit is required if recirculating.
³Air Flow and noise declarations made in line with CECEC Code of Conduct.
⁴Measured according to EN61591 on largest pipe diameter.
⁵Sound power measured according to EN60704-3 on largest pipe diameter.
⁶From top of pan supports. Depending on the model, a 'Recirculating odour filter kit' will consist of the following items: Charcoal filter, flexible hose, air duct, fixing components, installation instructions.

Pyramid hoods

iQ 300 LC97QFM50B

Slim pyramid chimney hood
Stainless steel

90cm



2
Year Warranty



Pyramid hood specifications

APPLIANCE TYPE	SLIM PYRAMID HOOD
Design family	iQ 300
Model number	LC97QFM50B
Colour	Stainless steel
KEY FEATURES	
emotionLight Pro	-
Home Connect	-
cookConnect hob based hood control	-
climateControl sensor	-
Adjustable LED white colour temperature	-
iQdrive	-
Intensive setting / Automatic intensive revert ¹	■ / ■
Grease / charcoal filter saturation indicators	- / -
FEATURES	
Suitable for ducted / recirculating operation	■ / ■
Type of control	Touch Control
Power levels	3 + 1 intensive
Electronic power level display	-
Interval operation	-
Automatic after running (minutes)	-
Lighting	2 x LED lights
softLight with dimmer function	-
Number of metal grease filter cassettes	3
PERFORMANCE / TECHNICAL INFORMATION	
Appliance width (mm)	900
Extraction Rate in m³/h^{3,4}	
- ducted / recirculating at power level 1	279 / 198
- ducted / recirculating at power level 2	353 / 283
- ducted / recirculating at power level 3	462 / 346
- ducted / recirculating at power level 4 or intensive setting 1	- / -
- ducted / recirculating, intensive setting or intensive setting 2	779 / 397
Noise level (sound power) based on dB(A) re 1 pW^{3,5}	
- ducted / recirculating at power level 1	50 / 64
- ducted / recirculating at power level 2	57 / 71
- ducted / recirculating at power level 3	64 / 74
- ducted / recirculating at power level 4 or intensive setting 1	- / -
- ducted / recirculating, intensive setting or intensive setting 2	73 / 77
Pipe outlet diameter (mm)	150 / 120
Minimum distance above an electric / gas hob ⁶ (mm)	550 / 650
GB plug	■
Energy rating	B
OPTIONAL ACCESSORIES²	
Recirculating kit	LZ10DXU00
Recirculating kit (without chimney)	LZ57000
Regenerative CleanAir recirculating kit	LZ10FXI00
Regenerative CleanAir recirculating kit (without chimney)	LZ10FXJ00

■ Yes, model has this feature. - Feature not available for this model.
¹Power automatically reverts back to normal setting after intensive.
²A type of recirculating kit is required if recirculating.
³Air Flow and noise declarations made in line with CECED Code of Conduct.
⁴Measured according to EN61591 on largest pipe diameter.
⁵Sound power measured according to EN60704-3 on largest pipe diameter.
⁶From top of pan supports. Depending on the model, a 'Recirculating odour filter kit' will consist of the following items: Charcoal filter, flexible hose, air duct, fixing components, installation instructions.

Pyramid hood specifications

APPLIANCE TYPE	SLIM PYRAMID HOOD	PYRAMID HOOD	PYRAMID HOOD
Design family	iQ 300	iQ 100	iQ 100
Model number	LC67QFM50B	LC94PBC50B	LC64PBC50B
Colour	Stainless steel	Stainless steel	Stainless steel
KEY FEATURES			
emotionLight Pro	-	-	-
Home Connect	-	-	-
cookConnect hob based hood control	-	-	-
climateControl sensor	-	-	-
Adjustable LED white colour temperature	-	-	-
iQdrive	-	-	-
Intensive setting / Automatic intensive revert ¹	■ / ■	- / -	- / -
Grease / charcoal filter saturation indicators	- / -	- / -	- / -
FEATURES			
Suitable for ducted / recirculating operation	■ / ■	■ / ■	■ / ■
Type of control	Touch Control	Push Button Control	Push Button Control
Power levels	3 + 1 intensive	3	3
Electronic power level display	-	-	-
Interval operation	-	-	-
Automatic after running (minutes)	-	-	-
Lighting	2 x LED lights	2 x LED lights	2 x LED lights
softLight with dimmer function	-	-	-
Number of metal grease filter cassettes	2	3	2
PERFORMANCE / TECHNICAL INFORMATION			
Appliance width (mm)	600	900	600
Extraction Rate in m³/h^{3,4}			
- ducted / recirculating at power level 1	262 / 192	198 / 129	198 / 127
- ducted / recirculating at power level 2	339 / 275	263 / 174	263 / 171
- ducted / recirculating at power level 3	445 / 332	365 / 213	365 / 211
- ducted / recirculating at power level 4 or intensive setting 1	- / -	- / -	- / -
- ducted / recirculating, intensive setting or intensive setting 2	747 / 389	- / -	- / -
Noise level (sound power) based on dB(A) re 1 pW^{3,5}			
- ducted / recirculating at power level 1	53 / 58	50 / 56	50 / 55
- ducted / recirculating at power level 2	59 / 68	57 / 62	58 / 62
- ducted / recirculating at power level 3	65 / 72	65 / 67	66 / 67
- ducted / recirculating at power level 4 or intensive setting 1	- / -	- / -	- / -
- ducted / recirculating, intensive setting or intensive setting 2	73 / 76	- / -	- / -
Pipe outlet diameter (mm)	150 / 120	150 / 120	150 / 120
Minimum distance above an electric / gas hob ⁶ (mm)	550 / 650	550 / 650	550 / 650
GB plug	■	■	■
Energy rating	B	D	D
OPTIONAL ACCESSORIES²			
Recirculating kit	LZ10DXU00	LZ52750	LZ52750
Recirculating kit (without chimney)	LZ57000	-	-
Regenerative CleanAir recirculating kit	LZ10FXI00	-	-
Regenerative CleanAir recirculating kit (without chimney)	LZ10FXJ00	-	-

■ Yes, model has this feature. - Feature not available for this model.
¹Power automatically reverts back to normal setting after intensive.
²A type of recirculating kit is required if recirculating.
³Air Flow and noise declarations made in line with CECED Code of Conduct.
⁴Measured according to EN61591 on largest pipe diameter.
⁵Sound power measured according to EN60704-3 on largest pipe diameter.
⁶From top of pan supports. Depending on the model, a 'Recirculating odour filter kit' will consist of the following items: Charcoal filter, flexible hose, air duct, fixing components, installation instructions.

Telescopic hoods

iQ 500 LI97SA560B

Telescopic extractor hood
Stainless steel

90cm



2
Year Warranty



Telescopic hood specifications

APPLIANCE TYPE	TELESCOPIC HOOD
Design family	iQ 500
Model number	LI97SA560B
Colour	Stainless steel
KEY FEATURES	
emotionLight Pro	-
Home Connect	-
cookConnect hob based hood control	-
climateControl sensor	-
Adjustable LED white colour temperature	-
iQdrive	-
Intensive setting / Automatic intensive revert ¹	■ / ■
Grease / charcoal filter saturation indicators	■ / ■
FEATURES	
Suitable for ducted / recirculating operation	■ / ■
Type of control	Soft Touch Button Control
Power levels	3 + 2 intensive
Electronic power level display	-
Interval operation	-
Automatic after running (minutes)	10
Lighting	2 x LED lights
softLight with dimmer function	■
Number of metal grease filter cassettes	3
PERFORMANCE / TECHNICAL INFORMATION	
Appliance width (mm)	898
Extraction Rate in m³/h ^{3,4}	
- ducted / recirculating at power level 1	210 / 135
- ducted / recirculating at power level 2	306 / 220
- ducted / recirculating at power level 3	394 / 293
- ducted / recirculating at power level 4 or intensive setting 1	537 / 403
- ducted / recirculating, intensive setting or intensive setting 2	708 / 471
Noise level (sound power) based on dB(A) re 1 pW ^{3,5}	
- ducted / recirculating at power level 1	40 / 45
- ducted / recirculating at power level 2	49 / 55
- ducted / recirculating at power level 3	56 / 61
- ducted / recirculating at power level 4 or intensive setting 1	62 / 70
- ducted / recirculating, intensive setting or intensive setting 2	68 / 74
Pipe outlet diameter (mm)	150 / 120
Minimum distance above an electric / gas hob ⁶ (mm)	430 / 650
GB plug	■
Energy rating	B
OPTIONAL ACCESSORIES ²	
Recirculating kit	LZ45650
CleanAir Recirculating filter kit (stainless steel module)	LZ46830
Replacement Regenerative CleanAir filter	LZ10ITP00
Steel finish profile/handle with opening for varioControl	LZ49750
Steel finish profile/handle - black	LZ49560
Lowering frame	LZ49600
Bracket for installation in 90cm wide units	LZ49200

■ Yes, model has this feature. - Feature not available for this model.
¹Power automatically reverts back to normal setting after intensive.
²A type of recirculating kit is required if recirculating.
³Air Flow and noise declarations made in line with CECEC Code of Conduct.
⁴Measured according to EN61591 on largest pipe diameter.
⁵Sound power measured according to EN60704-3 on largest pipe diameter.
⁶From top of pan supports. Depending on the model, a 'Recirculating odour filter kit' will consist of the following items: Charcoal filter, flexible hose, air duct, fixing components, installation instructions.

Telescopic hood specifications

APPLIANCE TYPE	TELESCOPIC HOODS		
Design family	iQ 500	iQ 300	iQ 300
Model number	LI67SA560B	LI94MA530B	LI64MA530B
Colour	Stainless steel	Stainless steel	Stainless steel
KEY FEATURES			
emotionLight Pro	-	-	-
Home Connect	-	-	-
cookConnect hob based hood control	-	-	-
climateControl sensor	-	-	-
Adjustable LED white colour temperature	-	-	-
iQdrive	-	-	-
Intensive setting / Automatic intensive revert ¹	■ / ■	■ / ■	■ / ■
Grease / charcoal filter saturation indicators	■ / ■	- / -	- / -
FEATURES			
Suitable for ducted / recirculating operation	■ / ■	■ / ■	■ / ■
Type of control	Soft Touch Button Control	Soft Touch Button Control	Soft Touch Button Control
Power levels	3 + 2 intensive	3 + 1 intensive	3 + 1 intensive
Electronic power level display	-	-	-
Interval operation	-	-	-
Automatic after running (minutes)	10	10	10
Lighting	2 x LED lights	2 x LED lights	2 x LED lights
softLight with dimmer function	■	-	-
Number of metal grease filter cassettes	2	3	2
PERFORMANCE / TECHNICAL INFORMATION			
Appliance width (mm)	598	898	598
Extraction Rate in m³/h ^{3,4}			
- ducted / recirculating at power level 1	198 / 137	163 / 105	174 / 102
- ducted / recirculating at power level 2	296 / 220	223 / 140	226 / 135
- ducted / recirculating at power level 3	381 / 292	265 / 166	270 / 159
- ducted / recirculating at power level 4 or intensive setting 1	518 / 406	- / -	- / -
- ducted / recirculating, intensive setting or intensive setting 2	677 / 475	412 / 178	404 / 171
Noise level (sound power) based on dB(A) re 1 pW ^{3,5}			
- ducted / recirculating at power level 1	40 / 45	50 / 57	49 / 58
- ducted / recirculating at power level 2	49 / 55	56 / 65	56 / 65
- ducted / recirculating at power level 3	56 / 61	63 / 70	62 / 70
- ducted / recirculating at power level 4 or intensive setting 1	62 / 69	- / -	- / -
- ducted / recirculating, intensive setting or intensive setting 2	67 / 73	70 / 71	69 / 72
Pipe outlet diameter (mm)	150 / 120	150 / 120	150 / 120
Minimum distance above an electric / gas hob ⁶ (mm)	430 / 650	430 / 650	430 / 650
GB plug	■	■	■
Energy rating	B	A	A
OPTIONAL ACCESSORIES ²			
Recirculating kit	LZ45650	LZ45450	LZ45450
CleanAir Recirculating filter kit (stainless steel module)	LZ46830	-	-
Replacement Regenerative CleanAir filter	LZ10ITP00	-	-
Steel finish profile/handle with opening for varioControl	LZ46750	-	-
Steel finish profile/handle - black	LZ46560	LZ49560	LZ46560
Lowering frame	LZ46600	-	-
Bracket for installation in 90cm wide units	-	-	-

■ Yes, model has this feature. - Feature not available for this model.
¹Power automatically reverts back to normal setting after intensive.
²A type of recirculating kit is required if recirculating.
³Air Flow and noise declarations made in line with CECEC Code of Conduct.
⁴Measured according to EN61591 on largest pipe diameter.
⁵Sound power measured according to EN60704-3 on largest pipe diameter.
⁶From top of pan supports. Depending on the model, a 'Recirculating odour filter kit' will consist of the following items: Charcoal filter, flexible hose, air duct, fixing components, installation instructions.

Canopy hoods

iQ 700 LB79585MGB

Canopy hood
Stainless steel

70cm



Canopy hood specifications

APPLIANCE TYPE	CANOPY HOOD
Design family	iQ 700
Model number	LB79585MGB
Colour	Stainless steel
KEY FEATURES	
emotionLight Pro	–
Home Connect	–
cookConnect hob based hood control	–
climateControl sensor	–
Adjustable LED white colour temperature	–
iQdrive	■
Intensive setting / Automatic intensive revert ¹	■ / ■
Grease / charcoal filter saturation indicators	■ / –
FEATURES	
Suitable for ducted / recirculating operation	■ / ■
Type of control	Soft Touch Button Control
Power levels	3 + 1 intensive
Electronic power level display	–
Interval operation	■
Automatic after running (minutes)	30
Lighting	2 x LED lights
softLight with dimmer function	■
Number of metal grease filter cassettes	2
PERFORMANCE / TECHNICAL INFORMATION	
Appliance width (mm)	700
Extraction Rate in m³/h ^{3,4}	
– ducted / recirculating at power level 1	210 / 170
– ducted / recirculating at power level 2	380 / 250
– ducted / recirculating at power level 3	575 / 310
– ducted / recirculating at power level 4 or intensive setting 1	– / –
– ducted / recirculating, intensive setting or intensive setting 2	775 / 380
Noise level (sound power) based on dB(A) re 1 pW ^{3,5}	
– ducted / recirculating at power level 1	46 / 57
– ducted / recirculating at power level 2	55 / 66
– ducted / recirculating at power level 3	64 / 71
– ducted / recirculating at power level 4 or intensive setting 1	– / –
– ducted / recirculating, intensive setting or intensive setting 2	70 / 75
Pipe outlet diameter (mm)	150 / 120
Minimum distance above an electric / gas hob ⁶ (mm)	500 / 650
GB plug	■
Energy rating	A++
OPTIONAL ACCESSORIES ²	
Recirculating kit	LZ55750
CleanAir Recirculating filter kit (stainless steel module)	LZ46830
Replacement Regenerative CleanAir filter	LZ10ITP00

■ Yes, model has this feature. – Feature not available for this model.
¹Power automatically reverts back to normal setting after intensive.
²A type of recirculating kit is required if recirculating.
³Air Flow and noise declarations made in line with CECEC Code of Conduct.
⁴Measured according to EN61591 on largest pipe diameter.
⁵Sound power measured according to EN60704-3 on largest pipe diameter.
⁶From top of pan supports. Depending on the model, a 'Recirculating odour filter kit' will consist of the following items: Charcoal filter, flexible hose, air duct, fixing components, installation instructions.

Canopy hood specifications

APPLIANCE TYPE	CANOPY HOODS				
Design family	iQ 500	iQ 500	iQ 300	iQ 300	iQ 100
Model number	LB78574GB	LB57574GB	LB75565GB	LB55565GB	LB53NAA30B
Colour	Stainless steel	Stainless steel	Silver metallic lacquer	Silver metallic lacquer	Silver metallic lacquer
KEY FEATURES					
emotionLight Pro	–	–	–	–	–
Home Connect	–	–	–	–	–
cookConnect hob based hood control	–	–	–	–	–
climateControl sensor	–	–	–	–	–
Adjustable LED white colour temperature	–	–	–	–	–
iQdrive	–	–	–	–	–
Intensive setting / Automatic intensive revert ¹	■ / ■	■ / ■	■ / –	■ / –	– / –
Grease / charcoal filter saturation indicators	– / –	– / –	– / –	– / –	– / –
FEATURES					
Suitable for ducted / recirculating operation	■ / ■	■ / ■	■ / ■	■ / ■	■ / ■
Type of control	Soft Touch Button Control	Soft Touch Button Control	Slider Switch	Slider Switch	Push Button Control
Power levels	3 + 1 intensive	3 + 1 intensive	3 + 1 intensive	3 + 1 intensive	3
Electronic power level display	–	–	–	–	–
Interval operation	–	–	–	–	–
Automatic after running (minutes)	–	–	–	–	–
Lighting	2 x LED lights	2 x LED lights	2 x LED lights	2 x LED lights	2 x LED lights
softLight with dimmer function	–	–	–	–	–
Number of metal grease filter cassettes	2	1	2	2	1
PERFORMANCE / TECHNICAL INFORMATION					
Appliance width (mm)	700	520	730	530	534
Extraction Rate in m³/h ^{3,4}					
– ducted / recirculating at power level 1	345 / 210	295 / 210	198 / 139	196 / 134	120 / 110
– ducted / recirculating at power level 2	540 / 270	450 / 260	287 / 206	280 / 198	160 / 160
– ducted / recirculating at power level 3	630 / 300	560 / 290	379 / 278	362 / 268	300 / 300
– ducted / recirculating at power level 4 or intensive setting 1	– / –	– / –	– / –	– / –	– / –
– ducted / recirculating, intensive setting or intensive setting 2	730 / 310	615 / 300	638 / 408	618 / 395	– / –
Noise level (sound power) based on dB(A) re 1 pW ^{3,5}					
– ducted / recirculating at power level 1	53 / 67	50 / 66	38/49	38 / 49	46 / 49
– ducted / recirculating at power level 2	63 / 71	63 / 71	49/58	49 / 58	50 / 53
– ducted / recirculating at power level 3	66 / 73	67 / 74	56/65	56 / 64	61 / 65
– ducted / recirculating at power level 4 or intensive setting 1	– / –	– / –	– / –	– / –	– / –
– ducted / recirculating, intensive setting or intensive setting 2	69 / 74	70 / 75	68 / 72	68 / 72	– / –
Pipe outlet diameter (mm)	150 / 120	150 / 120	150 / 120	150 / 120	120
Minimum distance above an electric / gas hob ⁶ (mm)	500 / 650	500 / 650	650 / 650	650 / 650	550 / 650
GB plug	■	■	■	■	■
Energy rating	C	C	C	C	D
OPTIONAL ACCESSORIES ²					
Recirculating kit	LZ55750	LZ55750	LZ73050	LZ73050	LZ10INT00
CleanAir Recirculating filter kit (stainless steel module)	LZ46830	LZ46830	–	–	–
Replacement Regenerative CleanAir filter	LZ10ITP00	LZ10ITP00	–	–	–

■ Yes, model has this feature. – Feature not available for this model.
¹Power automatically reverts back to normal setting after intensive.
²A type of recirculating kit is required if recirculating.
³Air Flow and noise declarations made in line with CECEC Code of Conduct.
⁴Measured according to EN61591 on largest pipe diameter.
⁵Sound power measured according to EN60704-3 on largest pipe diameter.
⁶From top of pan supports. Depending on the model, a 'Recirculating odour filter kit' will consist of the following items: Charcoal filter, flexible hose, air duct, fixing components, installation instructions.



Model shown:
LE66MAC00B integrated extractor hood

Integrated hoods

iQ 100 LE66MAC00B

Integrated extractor hood
Metallic silver

60cm



2
Year Warranty

Integrated hood specifications



APPLIANCE TYPE	INTEGRATED HOODS	
	iQ 100	iQ 100
Design family	LE66MAC00B	LE63MAC00B
Model number	LE66MAC00B	LE63MAC00B
Colour	Silver Metallic Lacquer	Silver Metallic Lacquer
KEY FEATURES		
emotionLight Pro	-	-
Home Connect	-	-
cookConnect hob based hood control	-	-
climateControl sensor	-	-
Adjustable LED white colour temperature	-	-
iQdrive	-	-
Intensive setting / Automatic intensive revert ¹	- / -	- / -
Grease / charcoal filter saturation indicators	- / -	- / -
FEATURES		
Suitable for ducted / recirculating operation	■ / ■	■ / ■
Type of control	Push Button Control	Push Button Control
Power levels	3	3
Electronic power level display	-	-
Interval operation	-	-
Automatic after running (minutes)	-	-
Lighting	2 x LED lights	2 x LED lights
softLight with dimmer function	-	-
Number of metal grease filter cassettes	2	2
PERFORMANCE / TECHNICAL INFORMATION		
Appliance width (mm)	599	599
Extraction Rate in m³/h^{3,4}		
- ducted / recirculating at power level 1	256 / 208	240 / 224
- ducted / recirculating at power level 2	352 / 320	288 / 256
- ducted / recirculating at power level 3	625 / 416	368 / 272
- ducted / recirculating at power level 4 or intensive setting 1	- / -	- / -
- ducted / recirculating, intensive setting or intensive setting 2	- / -	- / -
Noise level (sound power) based on dB(A) re 1 pW^{3,5}		
- ducted / recirculating at power level 1	49 / 57	52 / 64
- ducted / recirculating at power level 2	56 / 68	56 / 67
- ducted / recirculating at power level 3	70 / 75	62 / 68
- ducted / recirculating at power level 4 or intensive setting 1	- / -	- / -
- ducted / recirculating, intensive setting or intensive setting 2	- / -	- / -
Pipe outlet diameter (mm)	150 / 120	150 / 120
Minimum distance above an electric / gas hob ⁶ (mm)	500 / 650	500 / 650
G8 plug	■	■
Energy rating	B	D
OPTIONAL ACCESSORIES²		
Recirculating kit	LZ10IMA00	LZ10IMA00

■ Yes, model has this feature. - Feature not available for this model.

¹Power automatically reverts back to normal setting after intensive.

²A type of recirculating kit is required if recirculating.

³Air Flow and noise declarations made in line with CECEC Code of Conduct.

⁴Measured according to EN61591 on largest pipe diameter.

⁵Sound power measured according to EN60704-3 on largest pipe diameter.

⁶From top of pan supports. Depending on the model, a 'Recirculating odour filter kit' will consist of the following items: Charcoal filter, flexible hose, air duct, fixing components, installation instructions.

Intelligent refrigeration and freezing appliances for long lasting freshness.

Siemens built-in cooling appliances provide the ultimate way to store food flexibly and correctly for even more freshness.

From our smallest built-in fridge to our most impressive studioLine aCool range, each appliance brings you more freshness and convenience. Now you are finally able to combine Siemens cooling appliances exactly the way you want – with the right combinations for every individual requirement, taste and kitchen design. Siemens built-in fridges, freezers and wine coolers come in a wide range of models so that you have full flexibility when planning your kitchen.

Siemens cooling warranties:

5
Year Warranty

5 Year Warranty
A Siemens five year warranty is available on all Siemens built-in aCool appliances and freestanding American fridge freezers listed in this brochure to protect against manufacturing or material faults and defects during this warranty period.

2
Year Warranty

2 Year Warranty
All Siemens cooling appliances have a two year manufacturer's warranty as standard to protect against manufacturing or material faults.

Compressor Drive
10
Year Warranty

Compressor Drive 10 Year Warranty
Available on selected Siemens built-in fridges and fridge freezers, this warranty covers defects in the compressor motor.

To find out more about your warranty and for registration please refer to page 179.

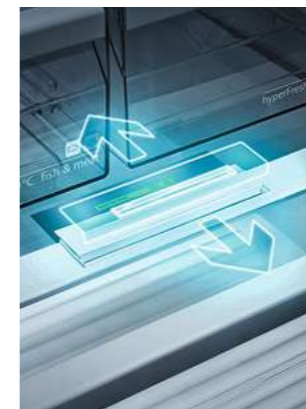


Keep your food fresher for longer: hyperFresh technology.



Model shown: hyperFresh premium

Set the right conditions to ensure your food stays fresher for longer: hyperFresh humidity drawers and 0°C chiller drawers.



Freshness controlled: hyperFresh
Simply use the stylish control panel to adjust the humidity in the fridge. The hyperFresh drawer with rippled base allows cool air to circulate around your fruit and vegetables easily. As a result, the quality and freshness of your food will be retained.



Shelf life maximised: hyperFresh plus
The hyperFresh plus drawer doesn't just store food, it provides the right conditions to keep them fresher for longer. Whether it's fruit or vegetables, increase shelf life and reduce food waste. Simply switch between the 2 control settings, and the humidity will be adjusted for optimum storage of your food.



Food stays fresh for longer: hyperFresh premium
Enjoy fresher food with hyperFresh premium. With a choice of 3 humidity controls, simply select whether it's fruit, vegetables, or both that you want to store. The hyperFresh Premium drawer will regulate how much humidity your food receives. Be in control; these innovative drawers help to keep in nutrients and minerals to create delicious meals and fewer trips to the supermarkets, saving you time, effort and money. hyperFresh Premium is available in selected Siemens single door fridges only.



hyperFresh 0°C chiller drawers. Perfectly fresh for fish and meat:
hyperFresh and hyperFresh plus models: The two hyperFresh 0°C chiller drawers are especially designed for the storage needs of fish and meat. Keep them fresher in ideal conditions near 0°C to retain the vitamins and minerals for longer. With two separate compartments the transfer of unpleasant smells will be avoided.

hyperFresh Premium models: These variants come complete with a larger full-length 0°C chiller drawer, where fish and meat are stored at the perfect temperature.

Create a combination to fit your lifestyle.

Our cooling appliances come in a wide range of heights and widths to allow you to create the perfect combination for your kitchen.

↑
177.2
cm
↓
Height

◀ 59.8
cm ▶
Width

Height and width
Our built-in cooling appliances are available in a range of heights and widths to fit your kitchen design and available space.

Height and width:

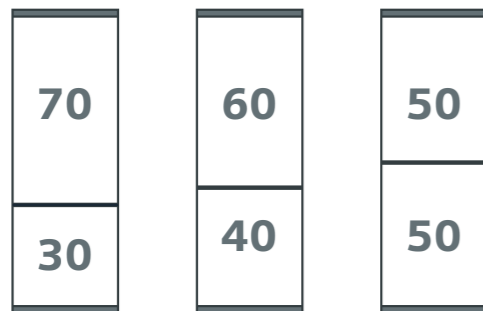
All dimensions are shown as Height x Width

aCool	American Style	Fridge Freezers	Single Door Fridges	Single Door Freezers
				
212.5 x 90.8cm 212.5 x 75.6cm 212.5 x 60.3cm 212.5 x 45.1cm	178.6 x 90.8cm 177 x 91cm 175.6 x 91.2cm	177.2 x 55.8cm 177.2 x 54.1cm	177.2 x 59.8cm 177.2 x 54cm 139.7 x 55.8cm 122.1 x 54.1cm 82 x 59.8cm	177.2 x 55.8cm 82 x 59.8cm

Fridge Freezer split options:

60
40
Fridge
Freezer split %

Fridge Freezer split
Our range of fridge freezers are available in a variety of sizes with different splits of fridge areas and freezer areas. Alternatively, you can create a bespoke split using separate fridge and freezer units stacked or paired side-by-side.



Flexible shelves and door racks.

Expect nothing but convenience with easyLift shelves. Even when full, you can raise or lower the shelf by 6cm to make room for taller items – ideal for serving jugs. Our easyLift door trays are also great for large bottles in the fridge door, the shelf can be adjusted to meet the flexible requirements of your lifestyle.



Over and under example for illustrative purposes

Flexible modularFit cooling integrated appliances.

Siemens modularFit appliances are freely combinable. You need a kitchen that matches your lifestyle. That's why you're able to combine our single door cooling and freezing appliances exactly the way you want – with the right combinations for every individual requirement and taste. But the flexibility does not stop with the way you can arrange your kitchen. With unique and innovative cooling technologies the appliances even enrich your everyday life. Siemens modularFit appliances come with a feeling of flexibility and exciting innovations like hyperFresh and noFrost technology. The simple installation as well as an energy efficiency category up to A++ offers maximum flexibility and freshness.

Combine your cooling and freezing appliances the way you want: modularFit. Whether it is on top or next to each other: thanks to the anti-condensation technology you are able to match cooling and freezing appliances however you like. The innovative technology prevents build-up of moisture between the appliances.



Side-by-side example for illustrative purposes

Explore more cooling features.

Experience intelligent cool with Home Connect.

Home Connect fridges
Cooling appliances with Home Connect offer you the ability to flexibly control your appliances using your mobile phone or smart phone. This means you can control your appliance out of home; for example adjusting the fridge temperature to cool down as you are on your way home from a food shop, for extra convenience, and setting your fridge to holiday mode whilst at the airport.

Download and install Home Connect App

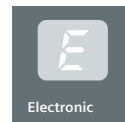
Energy efficient cooling



Nearly every cooling appliance in the new Siemens built-in range is up to 20% more energy efficient than its equivalent A-rated appliance.

With ratings from A+++ to A, discover our range of energy efficient cooling appliances.

Type of control



In-door LCD display precision control at the touch of a button. The in-door LCD display allows the optimum temperature for food to be maintained easily, which in turn keeps your food fresher for longer.



LED Light



The new integrated long-lasting LED lights available on most of our range fit flush in the side walls or ceiling and illuminate the interior uniformly and perfectly without blinding you.



Storage solutions for all of your needs



Ergonomically ideal access
Fully-retractable drawers on telescopic rails create an easy access shelving zone. This allows you to easily pull the drawers out further, giving you a better overview of all food items and making them easier to remove.



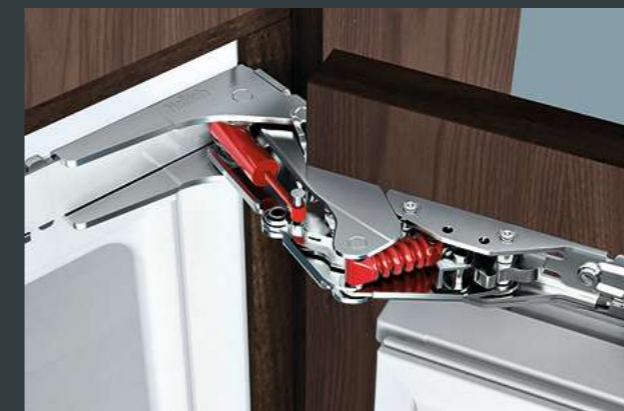
Bottle rack
Available on some models, the perfect place to store wine of all varieties and make the best use of space in your fridge. The wave-shaped bottle rack can be positioned in a variety of places and safely stores bottles without them rolling back and forth.



freshProtectbox
Provides the optimum temperature for individual foods, allowing them to stay fresher for longer. Fresh ingredients are critical to delicious meals, but also count for less wastage and fewer trips to the supermarket – saving you, the consumer, time and money.

Choosing the right hinge: fixed and sliding.

Siemens built-in cooling appliances are available with specific types of hinges that either aid the installation and design of your kitchen or can be matched for replacement appliances.



Fixed hinge

A fixed hinge means that the furniture door is mounted to the appliance door. Advantages of a fixed hinge mean that Siemens can offer softClosing doors that automatically close at an angle of approx 15°-20° preventing the door from accidentally being left open. The installation also offers better access to the appliance interior and due to the optimised width, higher energy efficiency with competitive volume.

Sliding hinge

A sliding hinge means that the furniture door is mounted at the kitchen cabinet body as well as a sliding rail to connect the fridge and furniture door.



Heavy duty softClose

Adding to the ambience of any kitchen, the heavy duty softClose hinge dampens the closing of the door even when shut forcefully to keep your kitchen feeling calm.

They are thoroughly tested to withstand constant opening and closing, the softClose door retracts effortlessly and creates minimal noise. In addition to aesthetics, a softClose door ensures that items within the fridge aren't disturbed from a heavy impact, meaning no spills to clean.

Heavy duty softClose hinge is available on aCool models only.

Freezer features.



Model shown: K186FHD40 studioLine noFrost fridge freezer

With noFrost technology you'll never have the job of defrosting the freezer again.

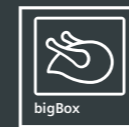


noFrost
Defrosting the freezer is now done automatically. Siemens freezers are equipped with intelligent sensor-controlled technology to save the chore of defrosting the freezer. An air-circulation system guides the humidity to the outside of the refrigerator into an external evaporation tray, and sensors measure the degree of humidity and any frost production – ensuring the appliance is periodically defrosted without the need to turn off the appliance or empty it out. Also, ice no longer forms on the inside of the refrigerator, and the appliance's energy consumption remains consistently low.



lowFrost
For those models that come with lowFrost, life is still made easier. lowFrost reduces the build-up of frost by up to 50%, so there is no need to defrost the freezer as often, only once every 3 to 4 years. Designed to save you time and provide added convenience, you can spend your time on the things you enjoy, not defrosting your freezer.

Storage made easy with bigBox



Big enough for your lifestyle, the bigBox has the capacity for storing whole frozen turkeys, as well as the height to hold dessert glasses upright. Ideal for the holidays and entertaining.



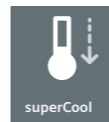
Model shown: KA92NLB35G American fridge freezer



superFreeze function
superFreeze makes sure that warmer food added to the freezer doesn't raise the freezer temperature, stopping food partially defrosting.



Easy to refill for continuous ice: the iceTwister.
Enjoy your own personal ice cube service. Simply activate the iceTwister and receive up to 20 ice cubes at once right away. The water tank is very easy to remove for reliable refilling.



superCool
You can use the superCool button to quickly reduce the temperature in the refrigerator to +2 °C. This prevents an undesirable rise in the temperature of your already chilled food whenever you add food that is not as cold.



iceDispenser
Models with this feature are able to dispense ice when needed thanks to a plumbed water connection. Depending on model, ice is available as cubes or crushed.



studioLine: exquisitely designed cooling appliances.

An ultimate collection with the very best food
and drink storage solutions.

Beautifully designed top of the range cooling appliances, created to impress.

With high quality materials and finishes, a classic but striking appearance and superior features our studioLine and studioLine aCool models are sure to be a talking point in your kitchen. Across the range explore adjustable LED lights, Home Connect, full colour TFT displays, and flexible food and wine shelving storage solutions.

studioLine

Key features: studioLine.

Discover our most sophisticated cooling appliance range: aCool

aCool appliances allow you to create bespoke designs that are both elegant and functional to suit your individual taste. Although they may be behind closed doors our stunning range of built-in cooling appliances will become the talking point of any kitchen.

aCool appliances are the ultimate in refrigeration and freezing for your kitchen. Designed to impress, they feature ample storage space and ensure your kitchen makes a statement. The modular range means that you have the choice to fit each appliance in different combinations. The aCool range includes fridges, freezers and wine cabinets. aCool accessories are sold separately, please speak to your preferred kitchen specialist for installation options and more information.

5

Year Warranty

Five Year warranty

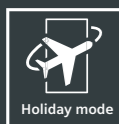
A Five Year Warranty is offered on all studioLine aCool appliances to cover manufacturing or material faults. For more information please see page 179.



Sabbath mode

Sabbath mode

When Sabbath mode is switched on, the following settings are switched off: audible signals, interior lighting, automatic super freezing, messages on the display panel, the background illumination of the display panel is reduced and buttons are locked.



Holiday mode

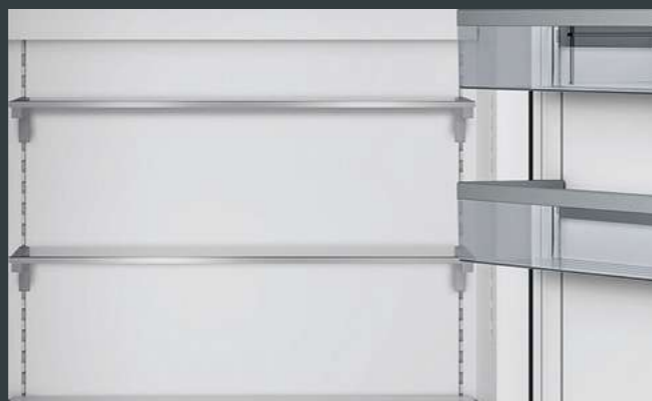
Holiday mode

When you're on holiday or a business trip, Holiday Mode will ensure that food in the freezer stays cold enough to maintain freshness whilst reducing its energy output. Our fridges also feature a warning alarm that signals when the door has been left open, ensuring that energy isn't needlessly wasted and preserving the food inside.



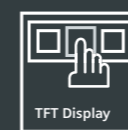
Heavy duty hinge

The heavy duty softClose hinges dampen the closing of the door even when shut forcefully to keep your kitchen feeling calm. They are thoroughly tested to withstand constant opening and closing.



Multi-level glass shelves with back wall hanging system and door bin adjustments

Easily and practically move both the door bins and back wall shelves up and down to suit your storage requirements and create additional space for extra tall items. Customise the internal storage of your cooling appliance around your lifestyle and individual preference.



TFT Display

TFT colour user interface

Control all functions of your aCool appliance with just a soft touch on the clearly arranged full touchControl TFT colour display. Especially practical yet precise temperature setting.



Ice cube maker

Ice cube maker and container

Convenient and simple to use our models with the integrated ice cube maker deliver ice cubes whenever you want them. Ice cubes can simply be scooped out directly from the ice box container.



Telescopic rails

Improved interior flexibility with telescopic rails

Thanks to the fully retractable drawers on telescopic rails, you can easily pull the drawers out further to give you a better overview of all food items, making them easier to remove.



LED illumination

Brings more light into the dark: LED lighting

The new integrated long-lasting LED lights are flush in the side walls or ceiling and illuminate the interior brightly and evenly without dazzling. The wine coolers even come with a choice of five different light scenarios to choose from. It's also possible to direct the intensity of lighting in two out of three different compartments, thus creating individual light ambiances.

Combined to stand out: studioLine.

The closer to perfection you get, the more you'll find in the details. That's why every single one of our premium aCool appliances follows the principle of the perfect fit.

We understand that the idea of the perfect cooling zone solution shouldn't be restricted. That's why it's possible to combine appliances from the aCool range together seamlessly, whether it be fridge and freezer, fridge freezer and wine cabinet, or even a bank of three or four models. Bring together these appliances in any way you wish for unique cooling customisation. The doors on our aCool range are all fully reversible so you can even swap the position of the handle to suit your kitchen space.

Our examples will give you an impression of the possibilities that these appliances can create within your home.



Models shown: CI36TP02 aCool fridge freezer and CI24WP03 aCool wine cooler



Models shown: CI18WP03 aCool wine cooler and CI30BP02 aCool fridge freezer



Models shown: CI30RP02 aCool 75cm wide fridge and CI24WP03 aCool wine cooler

aCool fridge freezers and fridges

5 Year Warranty
A Five year warranty is offered on all aCool appliances to cover manufacturing or material faults. For more information please see page 179.

iQ700 CI36TP02

aCool Fridge with two doors and one fully extendable noFrost freezer drawer
212cm high

Grand opening.
Every day.

Packed with innovative features, the all new studioLine premium built-in fridge freezer opens up to a massive and clear view.



The iQ700 aCool fridge freezer with French door is expertly designed to offer generous storage space for your fresh food, while the pull out drawer freezer is easily accessible for all your frozen food. Speak to your kitchen designer about how Siemens aCool appliances could create a lasting impression in your kitchen.

multiAirflow system

This system works with the electronics to optimise the air circulation within the fridge and freezer compartments to ensure even cooling throughout the appliance. This means it will cool your groceries quickly no matter where they are placed. The back wall of the appliance has open vents which work with the cooling circuit to draw cold air into each compartment.



hyperFresh Plus keeps food fresher for longer
The hyperFresh Plus drawer doesn't just store food, it provides them with the right conditions to keep them fresher for longer. Using the slider select whether it's fruit or vegetables, fish or meat, simply switch the control and the humidity will be adjusted for optimum storage of food.



aCool fridge specifications

APPLIANCE TYPE	FRIDGE WITH TWO DOORS AND ONE FULLY EXTENDABLE NOFROST FREEZER DRAWER	FRIDGE WITH ONE DOOR AND ONE FULLY EXTENDABLE NOFROST FREEZER DRAWER	60CM WIDE NOFROST BUILT-IN FRIDGE	75CM WIDE NOFROST BUILT-IN FRIDGE
Design family	iQ700	iQ700	iQ700	iQ700
Model number	CI36TP02	CI30BP02	CI24RP02	CI30RP02
DESIGN FEATURES				
Flexible rail system for shelves and door racks	■	■	■	■
Type of hinge	Heavy duty fixed	Heavy duty fixed	Heavy duty fixed	Heavy duty fixed
Reversible door	Left and right doors	Right reversible	Right reversible	Right reversible
Light	LED	LED	LED	LED
Number of compressors	2	2	1	1
Number of cooling circuits	2	2	1	1
Number of temperature zones	2	2	2	2
FOOD FRESHNESS SYSTEM				
multiAirflow system	■	■	■	■
0° hyperFresh Plus temperature controlled drawer	■	■	■	■
KEY FEATURES – FRIDGE SECTION				
Compressor drive motor	–	–	–	–
Temperature display	TFT display	TFT display	TFT display	TFT display
Number of shelves	3	3	4	4
Number of drawers - full extension	1	1	–	–
Food preservation drawers with ribbed bottom and humidity control	crisperBox / hyperFresh Plus	crisperBox / hyperFresh Plus	crisperBox, hyperFresh Plus, hyperFresh Pro	crisperBox, hyperFresh Plus, hyperFresh Pro
Compartments	Beverages, cheese, meat, vegetable	Beverages, cheese, meat, vegetable	Beverages, cheese, meat, vegetable	Beverages, cheese, meat, vegetable
Number of door bins	2 large, 4 small	1 large, 2 small	1 large, 3 small	1 large, 3 small
Fast cooling switch	■	■	■	■
Interior ventilation	■	■	■	■
KEY FEATURES – FREEZER SECTION				
Temperature display	TFT display	TFT display	–	–
Internal automatic ice cube maker	■	■	–	–
FUNCTIONS				
Home Connect	■	■	■	■
Warning signal door open	Acoustic	Acoustic	Acoustic	Acoustic
Additional settings	Economy setting / holiday mode / Sabbath mode / superCool / superFreeze	Economy setting / holiday mode / Sabbath mode / superCool / superFreeze	Economy setting / holiday mode / Sabbath mode / superCool	Economy setting / holiday mode / Sabbath mode / superCool
Temperature adjustable	■	■	■	■
Warning / malfunction signal	Warning signal door open	Warning signal door open	Warning signal door open	Warning signal door open
ACCESSORIES				
Optional accessories	CI36Z490 / CI10ZH10 CI10Z491 / CI60Z000 CI60Z200 / CI36Z410 FI50Z000	CI30Z5TB2 / CI10ZH10 CI10Z591 / CI60Z000 CI60Z200 / CI30Z200	FI24Z090 / CI10ZH10 CI60Z000 / CI60Z200 CI24Z010	FI30Z090 / CI10ZH10 CI60Z000 / CI60Z200 CI30Z010
DIMENSIONS AND INSTALLATION				
Climate class	SN-T	SN-T	SN-T	SN-T
Height of the product (mm)	2125	2125	2125	2125
Width of the product (mm)	908	756	603	756
Depth of the product (mm)	608	608	608	608
PERFORMANCE AND CONSUMPTION				
Energy efficiency class	A++	A++	A++	A++
Annual energy consumption ¹ (kWh)	346	301	131	141
Unit net capacity - total (litres)	518	418	356	463
Unit net capacity - fridge (litres)	378	308	321	416
Separate 0° compartment net capacity (litres)	34	27	35	47
Unit net capacity - freezer (litres)	140	110	–	–
Noise level (dB)	42	42	40	40

■ Yes, model has this feature. – Feature not available for this model.

¹Actual energy consumption will depend on how the appliance is used and where it is located.

aCool freezers and wine coolers

5
Year Warranty

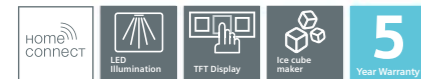
5 Year Warranty
A Five year warranty is offered on all aCool appliances to cover manufacturing or material faults. For more information please see page 179.

iQ 700 F124NP32

aCool built-in noFrost freezer
212cm high

Beautifully displayed.
Immaculately stored.

The premium built-in wine coolers and freezers are designed to impress with their outstanding features and exceptional finish.



No more defrosting: the noFrost technology
With noFrost, a ventilation system diverts the humidity from the freezer compartment. As a result, the air remains dry. This reliably prevents frost from forming on the inside of the appliance or on your food.

Temperature adjustable zones
All of our aCool appliances offer the ability to store different food and drink in multiple temperature zones within one appliance. With our wine cabinets store your wines on beautifully crafted oak shelving areas that offer independently controlled conditions from 5 – 2°C's, perfect for different times of wines in a single cooler.



aCool freezer / wine cooler specifications

APPLIANCE TYPE	60CM WIDE NOFROST BUILT-IN FREEZER	75CM WIDE NOFROST BUILT-IN FREEZER	60CM WIDE BUILT-IN WINE CABINET	45CM WIDE BUILT-IN WINE CABINET
Design family	iQ 700	iQ 700	iQ 700	iQ 700
Model Number	F124NP32	F130NP32	C124WP03	C18WP03
DESIGN FEATURES				
Flexible rail system for shelves and door racks	■	■	–	–
Type of hinge	Heavy duty fixed	Heavy duty fixed	Heavy duty fixed	Heavy duty fixed
Reversible door	Right reversible	Right reversible	Right reversible. Tinted tempered glass door protects from UV light	Right reversible. Tinted tempered glass door protects from UV light
Light	LED	LED	LED	LED
Number of compressors	1	1	1 Anti-vibration motor	1 Anti-vibration motor
Number of cooling circuits	1	1	1	1
Number of temperature zones	1	1	3	2
FOOD FRESHNESS SYSTEM				
multiAirflow system	–	–	–	–
0° hyperFresh Plus temperature controlled drawer	–	–	–	–
KEY FEATURES – FRIDGE SECTION				
Compressor drive motor	–	–	–	–
Temperature display	–	–	TFT display	TFT display
Number of shelves	–	–	12 storage areas for 92 bottles	11 storage areas for 58 bottles
Number of drawers - full extension	–	–	Presenter shelf and 5 different lighting scenarios	Presenter shelf and 5 different lighting scenarios
Food preservation drawers with ribbed bottom & humidity control	–	–	–	–
Compartments	–	–	–	–
Number of door bins	–	–	–	–
Fast cooling switch	–	–	–	–
Interior ventilation	–	–	■	■
KEY FEATURES – FREEZER SECTION				
Temperature display	LED	LED	–	–
Internal automatic ice cube maker	■	–	–	–
Number of drawers with telescopic rails	2	2	–	–
Number of shelves	4	2	–	–
Number of door bins	4	2	–	–
FUNCTIONS				
Home Connect	■	■	■	■
Warning signal door open	Acoustic	Acoustic	Acoustic	Acoustic
Additional settings	Economy setting / holiday mode / Sabbath mode / superCool	Economy setting / holiday mode / Sabbath mode / superCool	Economy setting / Holiday mode / Sabbath mode	Economy setting / Holiday mode
Temperature adjustable	■	■	■	■
Warning / malfunction signal	Warning signal door open	Warning signal door open	Warning signal door open	Warning signal door open
ACCESSORIES				
Optional accessories	F124Z090 / C110ZH10 C160Z000 / C160ZBL1 C160Z200 / F124Z010 F150Z000	F130Z090 / C110ZH10 C160Z000 / C160ZBL1 F130Z000 / F150Z000	C124Z590 / C124Z690 C110ZH10 / C160Z000 C160Z200 / C160Z300 C124Z010	C18Z590 / C18Z690 C110ZH10 / C160Z000 C160Z200 / C160Z300 C18Z010
DIMENSIONS AND INSTALLATION				
Climate class	SN-T	SN-T	SN-T	SN-T
Height of the product (mm)	2125	2125	2125	2125
Width of the product (mm)	603	756	603	451
Depth of the product (mm)	608	608	608	608
PERFORMANCE AND CONSUMPTION				
Energy efficiency class	A++	A++	A	A
Annual energy consumption ¹ (kWh)	284	340	171	167
Unit net capacity - total (litres)	328	429	361	263
Unit net capacity - fridge (litres)	–	–	–	–
Separate 0° compartment net capacity (litres)	–	–	–	–
Unit net capacity - freezer (litres)	328	429	–	–
Noise level (dB)	42	42	42	42

■ Yes, model has this feature. – Feature not available for this model.

¹ Actual energy consumption will depend on how the appliance is used and where it is located.

American fridge freezers

5 Year Warranty
A Five year warranty is offered on all American fridge freezer appliances to cover manufacturing or material faults. For more information please see page 179.

American fridge freezers.

If you have extra kitchen space our stunning larger capacity iQ700, iQ500 and iQ300 American fridge freezers all feature innovative indoor electronics, intelligent noFrost technology, interior LED lighting, a minimum of 4 fridge shelf positions and 2 freezer compartments with superFreeze function, and are a welcome statement to any kitchen. Modern and classic in their appearance, choose from Siemens striking and sleek black glass, Inox-easyclean or stainless steel options.



American fridge freezer specifications

APPLIANCE TYPE	iQ700	FREESTANDING 60CM	iQ500
Design family	iQ700	iQ500	iQ500
Model number	KA92NLB35G	KA92DAI20G	KA90DVI20G
Availability			
DESIGN FEATURES			
Colour of door panels	Black glass	Inox-easyclean	Stainless steel
Colour of sides	Chrome Inox-metallic	Chrome Inox-metallic	Grey
Style of handle	Integrated vertical handle	Vertical bar handle	Vertical bar handle
Colour of handle	-	Stainless steel	Stainless steel
noFrost in fridge and freezer	■	■	■
Home Connect, Wi-Fi dongle included	-	■	-
FOOD FRESHNESS SYSTEM			
hyperFresh	1 hyperfresh drawer with telescopic rails 1 vegetable drawer with telescopic rails 1 Chiller	1 hyperfresh drawer with telescopic rails 1 vegetable drawer with telescopic rails 1 Chiller	2 vegetable drawers on rails
KEY FEATURES – FRIDGE SECTION			
Product highlights	LED	LED	LED
Compressor drive motor	■	-	-
superCool	■	■	■
Type of control	Electronic	Electronic	Electronic
Number of shelves	4	4	4
Number of adjustable shelves	3	3	1
Shelves for bottles	■	■	-
Number of door bins / shelves	5	4	4
Temperature display	Digital	Digital	Digital
Warning signal door open	Visual and audible	Visual and audible	Visual and audible
KEY FEATURES – FREEZER SECTION			
Door opened indicator	Visual and audible	Visual and audible	Visual and audible
superFreeze function	■	■	■
Temperature adjustable in freezer	■	■	■
Number of ice cube trays	Twist ice box	Automatic ice cube maker	Automatic ice cube maker
Ice dispenser features	-	Crushed ice, ice cubes, water, water filter	Crushed ice, ice cubes, water, water filter
Number of freezer drawers	2	2	2
ADDITIONAL INFORMATION			
Energy efficiency class	A++	A+	A+
Energy consumption annual ¹ (kWh)	385	443	436
Total net capacity (litres)	592	541	533
Refrigerator net capacity (litres)	375	368	370
Freezer net capacity (litres)	202	158	157
Climate class	SN-T	SN-T	SN-T
Noise level (dB [A] re 1pW)	43	43	43
Additional accessories included	2 x ice packs, 1 x egg tray	2 x ice pack, 1 x connection hose, 1 x egg tray	1 x connection hose, 1 x egg tray
Height of product (mm)	1756	1756	1770
Width of product (mm)	912	912	910
Depth of product (mm)	732	732	720

■ Yes, model has this feature. - Feature not available for this model.

¹ Actual energy consumption will depend on how the appliance is used and where it is located.
² Climate zone SN = designed to operate in ambient temperature of +10°C to 32°C.
Climate zone T = designed to operate in ambient temperature of +18°C to 43°C.

iQ700 KA92NLB35G

American fridge freezer Black



Temperature Display: Exterior Digital



American fridge freezer specifications

APPLIANCE TYPE	iQ500	iQ300	iQ300
Design family	iQ500	iQ300	iQ300
Model number	KA90IV20G	KA93NVIFP	KA90NV20G
Availability		FROM SEPTEMBER 2019	UNTIL SEPTEMBER 2019
DESIGN FEATURES			
Colour of door panels	Inox-easyclean	Stainless steel	Inox-easyclean
Colour of sides	Grey	Grey	Grey
Style of handle	Vertical bar handle	Vertical bar handle	Vertical bar handle
Colour of handle	Stainless steel	Stainless steel	Stainless steel
noFrost in fridge and freezer	■	■	■
Home Connect, Wi-Fi dongle included	-	-	-
FOOD FRESHNESS SYSTEM			
hyperFresh	2 vegetable drawers on rails	1 MultiBox drawer with telescopic rails	2 vegetable drawers on rails
KEY FEATURES – FRIDGE SECTION			
Product highlights	LED	LED	LED
Compressor drive motor	-	-	-
superCool	■	■	■
Type of control	Electronic	Electronic	Electronic
Number of shelves	4	4	4
Number of adjustable shelves	0	3	1
Shelves for bottles	-	-	-
Number of door bins / shelves	4	5	5
Temperature display	Digital	Digital	Digital
Warning signal door open	Visual and audible	Visual and audible	Visual and audible
KEY FEATURES – FREEZER SECTION			
Door opened indicator	Visual and audible	Visual and audible	Visual and audible
superFreeze function	■	■	■
Temperature adjustable in freezer	■	■	■
Number of ice cube trays	Automatic ice cube maker	Twist ice box	2 ice cube trays
Ice dispenser features	Crushed ice, ice cubes, water	-	-
Number of freezer drawers	2	2	2
ADDITIONAL INFORMATION			
Energy efficiency class	A+	A++	A+
Energy consumption annual ¹ (kWh)	432	363	475
Total net capacity (litres)	523	560	573
Refrigerator net capacity (litres)	360	371	373
Freezer net capacity (litres)	157	189	195
Climate class	SN-T	SN-T	SN-T
Noise level (dB [A] re 1pW)	43	42	44
Additional accessories included	1 x egg tray	1 x egg tray	1 x egg tray
Height of product (mm)	1770	1786	1770
Width of product (mm)	910	908	910
Depth of product (mm)	720	685	720

■ Yes, model has this feature. - Feature not available for this model.

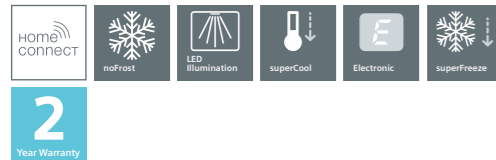
¹ Actual energy consumption will depend on how the appliance is used and where it is located.
² Climate zone SN = designed to operate in ambient temperature of +10°C to 32°C.
Climate zone T = designed to operate in ambient temperature of +18°C to 43°C.

noFrost bottom fridge freezers



iQ 700 K186FHD40

noFrost bottom fridge freezer
177cm high



noFrost bottom fridge freezer specifications

APPLIANCE TYPE	NOFROST BOTTOM FRIDGE FREEZER
Design family	iQ 700
Model number	K186FHD40
DESIGN FEATURES	
Fridge / Freezer split	60 / 40
noFrost	■
lowFrost or Manual defrost	-
softClose hinge	■
Type of hinge (reversible)	Fixed hinge
Home Connect	Remote Monitoring and Control
FOOD FRESHNESS SYSTEM	
hyperFresh	2 hyperFresh Premium 0° drawers
KEY FEATURES – FRIDGE SECTION	
Compressor drive motor	-
Light	LED with soft start
superCool	■
Type of control	Electronic
Number of shelves	3
Number of adjustable shelves	2
Number of door bins / shelves	2
Type of shelves	Safety glass
Temperature display	Digital 7 segment
Warning signal door open	Visual and audible
Bottle shelves in fridge	-
KEY FEATURES – FREEZER SECTION	
Door opened indicator	Visual and audible
superFreeze function	■
Temperature adjustable in freezer	■
Number of ice cube trays	1
Number of freezer drawers	3
ADDITIONAL INFORMATION	
Energy efficiency class	A+++
Energy consumption annual (kWh)	162
Total net capacity (litres)	223
Refrigerator net capacity 4°-8° (litres)	101
Refrigerator net capacity 0° (litres)	55
Freezer net capacity litres	67
Climate class	SN-T
Noise level (dB [A] re 1pW)	38
Additional accessories included	2 x ice packs, 3 x egg tray, 1 x ice cube tray with lid, 1 x bottle holder in door tray
Height of product (mm)	1772
Width of product (mm)	558
Depth of product (mm)	545

■ Yes, model has this feature. - Feature not available for this model.

¹ Actual energy consumption will depend on how the appliance is used and where it is located
² Climate zone SN = designed to operate in ambient temperature of +10°C to 32°C
 Climate zone T = designed to operate in ambient temperature of +18°C to 43°C



noFrost bottom fridge freezer specifications

APPLIANCE TYPE	NOFROST BOTTOM FRIDGE FREEZER	NOFROST BOTTOM FRIDGE FREEZER	NOFROST BOTTOM FRIDGE FREEZER	NOFROST BOTTOM FRIDGE FREEZER
Design family	iQ 700	iQ 500	iQ 500	iQ 300
Model number	K186FPF30G	K185NAD30G	K186NHD30	K186NVF30G
DESIGN FEATURES				
Fridge / Freezer split	60 / 40	50 / 50	60 / 40	60 / 40
noFrost	■	■	■	■
lowFrost or Manual defrost	-	-	-	-
softClose hinge	-	■	■	-
Type of hinge (reversible)	Fixed hinge	Fixed hinge	Fixed hinge	Fixed hinge
Home Connect	-	-	Remote Monitoring and Control	-
FOOD FRESHNESS SYSTEM				
hyperFresh	1 hyperFresh Premium 0° drawer	1 hyperFresh Plus drawer	1 hyperFresh Plus drawer	1 hyperFresh vegetable drawer
KEY FEATURES – FRIDGE SECTION				
Compressor drive motor	-	■	-	■
Light	LED	LED	LED with Soft Start	LED
superCool	■	■	■	-
Type of control	Electronic	Electronic	Electronic	Electronic
Number of shelves	3	4	5	4
Number of adjustable shelves	2	3	4	3
Number of door bins / shelves	2	3	5	4
Type of shelves	Safety glass	Safety glass	Safety glass	Safety glass
Temperature display	Digital 7 segment	Digital 7 segment	Digital 7 segment	Digital 7 segment
Warning signal door open	Visual and audible	Visual and audible	Visual and audible	No signal
Bottle shelves in fridge	-	-	1 bottle support grid	-
KEY FEATURES – FREEZER SECTION				
Door opened indicator	Visual and audible	Visual and audible	Visual and audible	No signal
superFreeze function	■	■	■	■
Temperature adjustable in freezer	■	■	■	-
Number of ice cube trays	1	1	1	1
Number of freezer drawers	3	4	3	3
ADDITIONAL INFORMATION				
Energy efficiency class	A++	A++	A++	A++
Energy consumption annual (kWh)	232	232	221	222
Total net capacity (litres)	223	246	255	255
Refrigerator net capacity 4°-8° (litres)	101	154	188	188
Refrigerator net capacity 0° (litres)	55	-	-	-
Freezer net capacity litres	67	92	67	67
Climate class	SN-ST	SN-ST	SN-ST	SN-ST
Noise level (dB [A] re 1pW)	38	39	39	39
Additional accessories included	2 x ice packs, 3 x egg tray, 1 x ice cube tray with lid, 1 x bottle holder in door tray	2 x ice packs, 2 x egg tray, 1 x ice cube tray	2 x ice packs, 2 x egg tray, 1 x ice cube tray	2 x ice packs, 2 x egg tray, 1 x ice cube tray
Height of product (mm)	1772	1772	1772	1772
Width of product (mm)	558	558	558	541
Depth of product (mm)	545	545	545	545

■ Yes, model has this feature. - Feature not available for this model.

¹ Actual energy consumption will depend on how the appliance is used and where it is located
² Climate zone SN = designed to operate in ambient temperature of +10°C to 32°C
 Climate zone T = designed to operate in ambient temperature of +18°C to 43°C

lowFrost bottom fridge freezers

iQ 700 K187FPF30

lowFrost bottom fridge freezer
177cm high



2
Year Warranty

lowFrost bottom
fridge freezer
specifications

APPLIANCE TYPE	LOWFROST BOTTOM FRIDGE FREEZER	LOWFROST BOTTOM FRIDGE FREEZER	LOWFROST BOTTOM FRIDGE FREEZER
Design family	iQ 700	iQ 700	iQ 500
Model number	K187FPF30	K184FPF30	K187SAF30G
DESIGN FEATURES			
Fridge / Freezer split	70 / 30	60 / 40	70 / 30
noFrost	-	-	-
lowFrost or Manual defrost	lowFrost	lowFrost	lowFrost
softClose hinge	-	-	-
Type of hinge (reversible)	Fixed hinge	Fixed hinge	Fixed hinge
Home Connect	-	-	-
FOOD FRESHNESS SYSTEM			
hyperFresh	1 hyperFresh Premium 0° drawer	1 hyperFresh Premium 0° drawer	1 hyperFresh Plus drawer
KEY FEATURES – FRIDGE SECTION			
Compressor drive motor	-	-	■
Light	LED	LED	LED
superCool	■	■	■
Type of control	Electronic	Electronic	Electronic
Number of shelves	4	3	5
Number of adjustable shelves	3	2	4
Number of door bins / shelves	3	2	5
Type of shelves	Safety glass	Safety glass	Safety glass
Temperature display	Digital 7 segment	Digital 7 segment	Digital 7 segment
Warning signal door open	Visual and audible	Visual and audible	Visual and audible
Bottle shelves in fridge	-	-	-
KEY FEATURES – FREEZER SECTION			
Door opened indicator	Visual and audible	Visual and audible	Visual and audible
superFreeze function	■	■	■
Temperature adjustable in freezer	■	■	■
Number of ice cube trays	1	1	1
Number of freezer drawers	2	3	2
ADDITIONAL INFORMATION			
Energy efficiency class	A++	A++	A++
Energy consumption annual (kWh)	225	159	225
Total net capacity (litres)	235	230	270
Refrigerator net capacity 4°-8° (litres)	118	101	209
Refrigerator net capacity 0° (litres)	55	55	-
Freezer net capacity litres	62	74	61
Climate class	SN-ST	SN-T	SN-T
Noise level (dB [A] re 1pW)	37	36	36
Additional accessories included	2 x ice packs, 3 x egg tray, 1 x ice cube tray with lid, 1 x bottle holder in door tray	2 x ice packs, 3 x egg tray, 1 x ice cube tray with lid, 1 x bottle holder in door tray	2 x ice packs, 2 x egg tray, 1 x ice cube tray
Height of product (mm)	1772	1772	1772
Width of product (mm)	558	558	558
Depth of product (mm)	545	545	545

■ Yes, model has this feature. – Feature not available for this model.

¹ Actual energy consumption will depend on how the appliance is used and where it is located

² Climate zone SN = designed to operate in ambient temperature of +10°C to 32°C

Climate zone T = designed to operate in ambient temperature of +18°C to 43°C

lowFrost bottom
fridge freezer
specifications



APPLIANCE TYPE	LOWFROST BOTTOM FRIDGE FREEZER	LOWFROST BOTTOM FRIDGE FREEZER	LOWFROST BOTTOM FRIDGE FREEZER	LOWFROST BOTTOM FRIDGE FREEZER	LOWFROST BOTTOM FRIDGE FREEZER	STATIC FRIDGE FREEZER
Design family	iQ 500	iQ 300	iQ 300	iQ 300	iQ 300	iQ 100
Model number	K186SAF30G	K186VVF30G	K187VVF30G	K187VVS30G	K185VVF30G	K138VX22GB
DESIGN FEATURES						
Fridge / Freezer split	60 / 40	60 / 40	70 / 30	70 / 30	50 / 50	70 / 30
noFrost	-	-	-	-	-	-
lowFrost or Manual defrost	lowFrost	lowFrost	lowFrost	lowFrost	lowFrost	Manual
softClose hinge	-	-	-	-	-	-
Type of hinge (reversible)	Fixed hinge	Fixed hinge	Fixed hinge	Sliding hinge	Fixed hinge	Sliding hinge
Home Connect	-	-	-	-	-	-
FOOD FRESHNESS SYSTEM						
hyperFresh	1 hyperFresh Plus drawer	1 hyperFresh vegetable drawer	1 hyperFresh vegetable drawer	1 hyperFresh vegetable drawer	1 hyperFresh vegetable drawer	1 vegetable drawer
KEY FEATURES – FRIDGE SECTION						
Compressor drive motor	■	■	■	■	■	-
Light	LED	LED	LED	LED	LED	LED
superCool	■	-	-	-	-	-
Type of control	Electronic	Electronic	Electronic	Electronic	Electronic	Electronic
Number of shelves	5	4	5	5	4	5
Number of adjustable shelves	4	3	4	4	3	4
Number of door bins / shelves	5	4	5	5	4	-
Type of shelves	Safety glass	Safety glass	Safety glass	Safety glass	Safety glass	Safety glass
Temperature display	Digital 7 segment	Digital LED	Digital LED	Digital LED	Digital LED	No temperature indication
Warning signal door open	Visual and audible	No signal	No signal	No signal	No signal	No signal
Bottle shelves in fridge	-	-	-	-	-	-
KEY FEATURES – FREEZER SECTION						
Door opened indicator	Visual and audible	No signal	No signal	No signal	No signal	No signal
superFreeze function	■	■	■	■	■	-
Temperature adjustable in freezer	■	-	-	-	-	-
Number of ice cube trays	1	1	1	1	1	-
Number of freezer drawers	3	3	2	2	4	3
ADDITIONAL INFORMATION						
Energy efficiency class	A++	A++	A++	A++	A++	A+
Energy consumption annual (kWh)	218	231	227	227	239	275
Total net capacity (litres)	265	267	272	272	259	276
Refrigerator net capacity 4°-8° (litres)	191	191	209	209	157	217
Refrigerator net capacity 0° (litres)	-	-	-	-	-	-
Freezer net capacity litres	74	76	63	63	102	59
Climate class	SN-ST	SN-T	SN-T	SN-T	SN-T	SN-ST
Noise level (dB [A] re 1pW)	36	38	38	38	38	40
Additional accessories included	2 x ice packs, 2 x egg tray, 1 x ice cube tray	2 x ice packs, 2 x egg tray, 1 x ice cube tray	2 x ice packs, 2 x egg tray, 1 x ice cube tray	2 x ice packs, 2 x egg tray, 1 x ice cube tray	2 x ice packs, 2 x egg tray, 1 x ice cube tray	-
Height of product (mm)	1772	1772	1772	1772	1772	1772
Width of product (mm)	558	541	541	541	541	541
Depth of product (mm)	545	545	545	545	545	545

■ Yes, model has this feature. – Feature not available for this model.

¹ Actual energy consumption will depend on how the appliance is used and where it is located

² Climate zone SN = designed to operate in ambient temperature of +10°C to 32°C

Climate zone T = designed to operate in ambient temperature of +18°C to 43°C

Single door fridges



iQ 700 KI81FHD40

studioLine

Single door fridge
177cm high



Single door fridge specifications

APPLIANCE TYPE	FRIDGE 177CM
Design family	iQ 700
Model number	KI81FHD40
DESIGN FEATURES	
noFrost	-
lowFrost or Manual defrost	-
softClose hinge	■
Type of hinge (reversible)	Fixed hinge
Home Connect	■
FOOD FRESHNESS SYSTEM	
hyperFresh	3 hyperFresh Premium 0° drawers
KEY FEATURES – FRIDGE SECTION	
Compressor drive motor	-
Light	LED
superCool	■
Type of control	1 x 7 segment
Number of shelves	7
Number of adjustable shelves	6
Number of door bins / shelves	7
Type of shelves	Glass
Temperature display	Digital
Warning signal door open	■
Defrost system in fridge	Automatic
Bottle shelves in fridge	-
KEY FEATURES – FREEZER SECTION	
Light in freezer	-
Warning signal door open	-
superFreeze function	-
Temperature adjustable in freezer	-
Number of ice cube trays	-
Number of freezing flaps	-
Number of freezer drawers	-
ADDITIONAL INFORMATION	
Energy efficiency class	A+++
Energy consumption annual (kWh)	87
Total net capacity including 0° drawers (litres)	289
Refrigerator net capacity 0° (litres)	83
Freezer net capacity (litres)	-
Climate class	SN-T
Noise level (dB [A] re 1pW)	36
Additional accessories included	3 x egg tray, 1 x bottle holder in door tray
Height of product (mm)	1772
Width of product (mm)	558
Depth of product (mm)	545

■ Yes, model has this feature. – Feature not available for this model.

¹ Actual energy consumption will depend on how the appliance is used and where it is located

² Climate zone SN = designed to operate in ambient temperature of +10°C to 32°C
Climate zone T = designed to operate in ambient temperature of +18°C to 43°C



Single door fridge specifications

APPLIANCE TYPE	FRIDGE 177CM	FRIDGE 177CM	FRIDGE 177CM	FRIDGE 177CM	FRIDGE 177CM
Design family	iQ 700	iQ 500	iQ 500	iQ 500	iQ 300
Model number	KI81FPF30G	KI81RAD30	KI81RAF30G	KI82LAF30	KI81RVS30G
DESIGN FEATURES					
noFrost	-	-	-	-	-
lowFrost or Manual defrost	-	-	-	-	-
softClose hinge	-	■	-	-	-
Type of hinge (reversible)	Fixed hinge	Fixed hinge	Fixed hinge	Fixed hinge	Sliding hinge
Home Connect	-	-	-	-	-
FOOD FRESHNESS SYSTEM					
hyperFresh	3 hyperFresh Premium 0° drawers	2 hyperFresh vegetable drawers, 1 with telescopic rails	2 hyperFresh vegetable drawers, 1 with telescopic rails	2 hyperFresh vegetable drawers, 1 with telescopic rails	2 hyperFresh vegetable drawers
KEY FEATURES – FRIDGE SECTION					
Compressor drive motor	-	■	■	■	■
Light	LED	LED	LED	LED	LED
superCool	■	■	■	■	■
Type of control	1 x 7 segment	1 x 7 segment	1 x 7 segment	1 x 7 segment	1 x LED chain
Number of shelves	7	7	7	5	7
Number of adjustable shelves	6	6	6	4	6
Number of door bins / shelves	7	7	7	5	7
Type of shelves	Glass	Glass	Glass	Glass	Glass
Temperature display	Digital	Digital	Digital	Digital	Digital
Warning signal door open	■	■	■	■	-
Defrost system in fridge	Automatic	Automatic	Automatic	Automatic	Automatic
Bottle shelves in fridge	-	1 bottle support grid	1 bottle support grid	-	-
KEY FEATURES – FREEZER SECTION					
Light in freezer	-	-	-	-	-
Warning signal door open	-	-	-	■	-
superFreeze function	-	-	-	-	-
Temperature adjustable in freezer	-	-	-	-	-
Number of ice cube trays	-	-	-	1 ice cube tray	-
Number of freezing flaps	-	-	-	-	-
Number of freezer drawers	-	-	-	-	-
ADDITIONAL INFORMATION					
Energy efficiency class	A++	A++	A++	A++	A++
Energy consumption annual (kWh)	131	116	116	209	116
Total net capacity including 0° drawers (litres)	289	319	319	286	319
Refrigerator net capacity 0° (litres)	83	-	-	-	-
Freezer net capacity (litres)	-	-	-	34	-
Climate class	SN-T	SN-T	SN-T	SN-T	SN-T
Noise level (dB [A] re 1pW)	37	37	37	36	37
Additional accessories included	3 x egg tray, 1 x bottle holder in door tray	2 x egg tray	2 x egg tray	2 x egg tray, 1 x ice cube tray	2 x egg tray
Height of product (mm)	1772	1772	1772	1772	1772
Width of product (mm)	558	558	558	558	541
Depth of product (mm)	545	545	545	545	545

■ Yes, model has this feature. – Feature not available for this model.

¹ Actual energy consumption will depend on how the appliance is used and where it is located

² Climate zone SN = designed to operate in ambient temperature of +10°C to 32°C
Climate zone T = designed to operate in ambient temperature of +18°C to 43°C

Single door fridges and freezers

IQ 500 GI81NAE30G

Single door freezer
177cm high



Single door fridges and freezer specifications

APPLIANCE TYPE	FREEZER 177CM	FRIDGE 140CM
Design family	IQ 500	IQ 500
Model number	GI81NAE30G	KI51RAF30G
DESIGN FEATURES		
noFrost	■	-
lowFrost or Manual defrost	-	-
softClose hinge	-	-
Type of hinge (reversible)	Fixed hinge	Fixed hinge
Home Connect	-	-
FOOD FRESHNESS SYSTEM		
hyperFresh	-	1 hyperFresh vegetable drawer
KEY FEATURES – FRIDGE SECTION		
Compressor drive motor	-	■
Light	-	LED
superCool	-	■
Type of control	-	1 x 7 segment
Number of shelves	-	6
Number of adjustable shelves	-	5
Number of door bins / shelves	-	6
Type of shelves	-	Glass
Temperature display	-	Digital
Warning signal door open	-	■
Defrost system in fridge	-	Automatic
Bottle shelves in fridge	-	-
KEY FEATURES – FREEZER SECTION		
Light in freezer	-	-
Warning signal door open	Visual and audible	-
superFreeze function	■	-
Temperature adjustable in freezer	■	-
Number of ice cube trays	2	-
Number of freezing flaps	2	-
Number of freezer drawers	5	-
ADDITIONAL INFORMATION		
Energy efficiency class	A++	A++
Energy consumption annual (kWh)	243	109
Total net capacity including 0° drawers (litres)	211	247
Refrigerator net capacity 0° (litres)	-	-
Freezer net capacity (litres)	211	-
Climate class	SN-T	SN-T
Noise level (dB [A] re 1pW)	36	33
Additional accessories included	2 small ice packs	2 x egg tray
Height of product (mm)	1772	1397
Width of product (mm)	558	558
Depth of product (mm)	545	545

■ Yes, model has this feature. – Feature not available for this model.

¹ Actual energy consumption will depend on how the appliance is used and where it is located

² Climate zone SN = designed to operate in ambient temperature of +10°C to 32°C
Climate zone T = designed to operate in ambient temperature of +18°C to 43°C

Single door fridges and freezer specifications



APPLIANCE TYPE	FRIDGE 122CM	FRIDGE 122CM	BUILT-UNDER FRIDGE 82CM	BUILT-UNDER FRIDGE 82CM	BUILT-UNDER 82CM FREEZER
Design family	IQ 500	IQ 500	IQ 500	IQ 500	IQ 500
Model number	KI41RAD30	KI41RAF30G	KU15LA60GB	KU15RA51GB	GU15DA50GB
DESIGN FEATURES					
noFrost	-	-	-	-	-
lowFrost or Manual defrost	-	-	-	-	-
softClose hinge	■	-	-	-	■
Type of hinge (reversible)	Fixed hinge	Fixed hinge	Fixed hinge	Fixed hinge	Fixed hinge
Home Connect	-	-	-	-	-
FOOD FRESHNESS SYSTEM					
hyperFresh	1 hyperFresh vegetable drawer	1 hyperFresh vegetable drawer	2 hyperFresh vegetable drawers	2 hyperFresh vegetable drawers	-
KEY FEATURES – FRIDGE SECTION					
Compressor drive motor	■	■	-	-	-
Light	LED	LED	1x25 watt	1x25 watt	-
superCool	■	■	-	-	-
Type of control	1 x 7 segment	1 x 7 segment	non (mechanical)	non (mechanical)	-
Number of shelves	6	6	2	3	-
Number of adjustable shelves	5	5	1	3	-
Number of door bins / shelves	6	6	2	3	-
Type of shelves	Glass	Glass	Glass	Glass	-
Temperature display	Digital	Digital	-	-	-
Warning signal door open	■	■	-	-	-
Defrost system in fridge	Automatic	Automatic	Automatic	Automatic	-
Bottle shelves in fridge	-	-	-	-	-
KEY FEATURES – FREEZER SECTION					
Light in freezer	-	-	-	-	-
Warning signal door open	■	■	-	-	visual and audible
superFreeze function	-	-	-	-	■
Temperature adjustable in freezer	-	-	-	-	■
Number of ice cube trays	-	-	1 ice cube tray	-	-
Number of freezing flaps	-	-	-	-	-
Number of freezer drawers	-	-	-	-	3
ADDITIONAL INFORMATION					
Energy efficiency class	A++	A++	A++	A+	A+
Energy consumption annual (kWh)	105	105	140	118	184
Total net capacity including 0° drawers (litres)	211	211	123	137	98
Refrigerator net capacity 0° (litres)	-	-	-	-	-
Freezer net capacity (litres)	-	-	15 l	-	98
Climate class	SN-T	SN-T	SN-ST	SN-ST	SN-ST
Noise level (dB [A] re 1pW)	33	33	38	38	38
Additional accessories included	2 x egg tray	2 x egg tray	1 x egg tray, 1 x ice cube tray	1 x egg tray	2 small ice packs
Height of product (mm)	1221	1221	820	820	820
Width of product (mm)	558	558	598	598	598
Depth of product (mm)	545	545	548	548	548

■ Yes, model has this feature. – Feature not available for this model.

¹ Actual energy consumption will depend on how the appliance is used and where it is located

² Climate zone SN = designed to operate in ambient temperature of +10°C to 32°C
Climate zone T = designed to operate in ambient temperature of +18°C to 43°C

Dishwashers. Innovative features for sparkling results.

Siemens dishwashers feature modern design and innovative ideas for seamless living.

Experience maximum flexibility with practical innovations such as varioSpeed Plus which washes your dishes on selected programmes up to 66% faster and Zeolith® drying technology that transforms humidity into heat for gentle and effective drying results.

Our dishwashers include height-adjustable baskets and foldable racks, stylish innovations such as door openAssist and timeLight floor projection, all working together to provide you with the perfect balance between modern design and innovative technology. Whether you are serving dinner for family or hosting a party for friends, Siemens dishwashers ensure that you'll have sparkling clean dishes and glasses quickly.

Siemens dishwasher warranties:

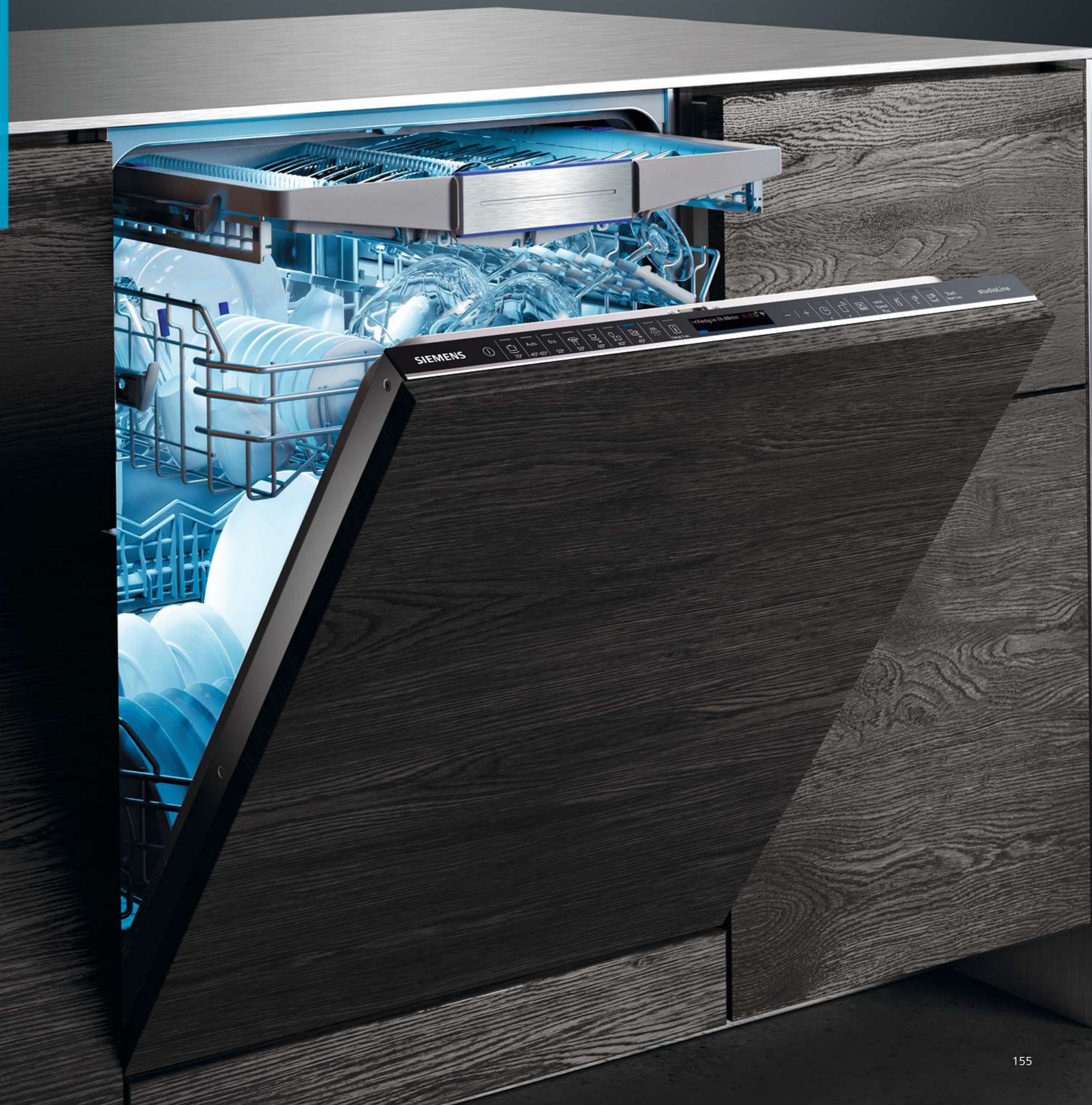
2
Year Warranty
2 Year Warranty
A Two Year Warranty is available as on all Siemens dishwashers listed in this brochure to protect against manufacturing and materials faults during this warranty period.

10
Year Warranty
Anti-Rust
10 Year Anti-Rust Warranty
All Siemens dishwashers purchased from the 1st January 2012 onwards have a 10 Year Anti-Rust Warranty to protect against rust in the inner cavity of the appliance.

Lifetime
Warranty
AquaStop
Lifetime AquaStop Warranty
All Siemens dishwashers listed in this brochure have a lifetime AquaStop warranty to protect against water damage caused by a defective AquaStop system.

To find out more about your warranty and for registration please refer to page 179.

Model shown: **SN878D26PE** studioLine fully integrated dishwasher



Your daily forecast,
dry conditions,
brilliant views.



Model shown: SN678D06TG fully integrated dishwasher

Welcome to a new era of dishwashing with brilliantShine.



Our brilliantShine system combines our low temperature glass care programme with our advanced water softening technology and Zeolith® drying to ensure your glassware is taken care of. Straight from dishwasher to table, Shine&Dry gives you streak-free, shining glasses. Harnessing the power of Zeolith® at its best, the special drying cycle also works just as well on plastics, pots and pans. Saving you time, you no longer need to give glasses an extra towel dry to smarten them up, allowing you to spend more time preparing for your guests arrival. With the brilliantShine system your glassware is always ready to shine for your guests, even unexpected ones.

That's what the new brilliantShine system with Zeolith® Drying is made for: creating the perfect conditions to start every day with a highlight, and sparkling glasses that you can be proud of.

The new brilliantShine system offers three intelligent solutions that take care of these factors:

- Zeolith® drying uses a Zeolite mineral that absorbs moisture and converts it into a gentle heat.
- The Shine&Dry option swills all residues of detergent with extra rinsing water, resulting in streak free, shining glassware.
- The Glass 40°C programme ensures that your glassware is not exposed to excessive temperatures or spray pressures, and keeps the cycle time shorter.

Zeolith®: Super efficient drying technology.



Using advanced drying technologies Siemens dishwashers keep energy consumption to a minimum. Zeolith®, a form of zeolite mineral has the astonishing ability to absorb moisture and convert it to heat. What does this mean for you? The heat produced naturally by the Zeolith® is used for the drying cycle. No additional energy is therefore required to heat up the contents of your dishwasher for the drying process (as with a standard drying system). This results in perfect drying, with less energy usage than models without Zeolith® technology.

Zeolith® is stored in the depths of the dishwasher; this regenerates itself and keeps working for the lifetime of the machine meaning you never have to replace it! Combine this with the economy 50°C programme to get brilliant results with minimal energy.

Drying phase
Zeolith® absorbs moisture and converts it to heat energy.

Cleaning phase
As the mineral is heated during the cleaning cycle, it is recharged and ready to absorb moisture once more.



Take your mind off the household chores using the Home Connect App.

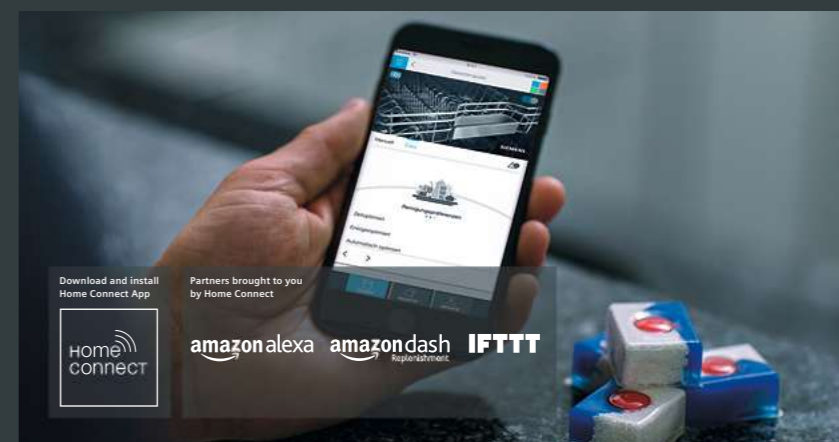
Connect your Wi-Fi-ready dishwasher with the Home Connect App to easily select programmes and options to start your dishwasher from wherever you are, whenever you want. Thanks to this app technology, you can control your appliance out of home and have the dishes ready exactly when you need them. Perfect for busy lifestyles. When the cycle is finished, the Home Connect App will send you a push notification to let you know, so you can focus on other things.

easyStart menu

The easyStart menu on the Home Connect App helps you to find the correct setting for your load quickly and easily. Just answer a few simple questions and the app will suggest the most optimum programme for your load. It's easy to adjust your dishwasher settings via the app on your mobile or tablet to keep it running at maximum efficiency.

Home Connect partner Services

You can even use our partner services, Amazon Alexa, Amazon Dash Replenishment and IFTTT to manage your machine. With Amazon Alexa, you can control your appliance through voice



control. Whether you want to start or finish the cycle, or check the remaining cycle time, just ask Alexa.

The integrated Tab Counter can be linked to Amazon Dash Replenishment to offer even more convenience. The app will monitor the amount of tablets you have left, will notify you when you are running low and allow you to order more through the app, through the Amazon shop. That's one less item on the shopping list to think about.

IFTTT technology allows you to integrate the Home Connect App with a wider array of connect devices. You can then produce customised applets, demands between two devices, so you can really bring your smart home to life. For example you could make your lights flash when your cycle finishes.

Learn more about Home Connect by visiting the Home Connect page on the Siemens Home UK website: www.siemens-home.bsh-group.com/uk

Discover top of the range TFT Displays and seamlessly fitted varioHinge options.

Choose the display type that is right for you.

Black touch control with TFT display and real-time clock

The clear, touch control high resolution TFT display makes it easy to select programmes and settings and check the status of your dishwasher at a glance. Thanks to the real-time clock, it's now possible to set the exact time that you want your dishes to be ready by, for extra convenience. Perfect for delivering warm plates to the dinner table.



Model shown: SN878D26PE studioLine fully integrated dishwasher

Black touch control with LED display

Retaining the same top of the range sleek black touch control panel, however with a clear LED display screen which displays the programme setting and duration time.



Model shown: SN658D00MG fully integrated dishwasher

Stainless steel push button control panel with LED display

This sleek design includes stainless steel buttons and a clear LED screen which displays the programme setting and duration time.



Model shown: SN736X03ME fully integrated extra height 86.5cm dishwasher

Black push button control panel with LED display

With black buttons and an LED screen which displays programme settings and duration time, this easy to use interface is practical and stylish.



Model shown: SN636X00KG fully integrated dishwasher

varioHinge. The ideal solution for extra long cabinet doors.

varioHinge enables the furniture panel to slide up the appliance door as it opens, avoiding collision with the plinth.

Siemens has two built-in dishwasher models, SN736X03ME and SX736X03ME with varioHinge. varioHinge ensures your kitchen design can be completely flexible with the installation of your dishwasher. Perfect for cabinet doors in handleless kitchens, or designs with low baseboards and longer cabinet panels, the varioHinge allows the cabinet door to be pushed upwards when opened to avoid the door catching. The varioHinge reduces the bottom gap between cabinet doors too for a seamless finish to your kitchen. These appliances are suitable for use with a 50mm plinth.



- ✓ Attractive design for high installation thanks to minimal gap size made possible by varioHinge.
- ✓ With the variable hinge varioHinge, a lower plinth height is possible.



Dishwashers with varioHinge – high installation

5CM

Key features in dishcare.



Model shown: SN678D06TG fully integrated dishwasher with blue emotionLight

Storage solutions for added flexibility and better results.



varioDrawer

By adding a third shelf for cutlery, varioDrawer removes the need for a cutlery basket and creates more space. Also available in varioDrawer Pro for added flexibility.



varioDrawer Pro

The varioDrawer Pro adds a third shelf for cutlery and removes the need for a cutlery basket, creating more space. Knives, forks and spoons are placed on their side, leaving them easier to remove when emptying the dishwasher.

With the varioDrawer Pro flexible sides can fold down to take items such as espresso cups, and areas in the tray can be adjusted to allow for larger handle cutlery.

Convenient blue touchpoints also indicate all the adjustment options available, such as lowering the side sections to accommodate bulkier items like espresso cups and ladles.



varioFlex basket system

The ability to fold down certain compartments within the cavity for extra room and flexibility. The top rack has 2 areas that can be adjusted for extra flexibility whilst the bottom basket has 4 areas that can be adjusted to create more space.



varioFlex Pro basket system

The varioFlex Pro basket system is designed to hold larger plates and allows you to create extra space for pots and pans with ease. Choose from up to 6 flexible areas in the top rack and up to 8 flexible areas in the bottom basket to create extra space. Blue touchpoints inside the baskets indicate all the adjustment options available at a glance. It's never been as easy to adjust the slats to suit each load, making the inside of your dishwasher constantly adaptable.



rackMatic™

Available across all storage solutions, this feature conveniently allows the user to raise and lower the height of the top basket to create more or less space, even when the dishwasher is loaded.



varioDrawer



varioDrawer Pro



varioFlex basket



varioFlex Pro basket

Floor projection displays.



infoLight

Projects a beam of light onto the floor to show the dishwasher is running. This prevents needing to open the door while the cycle is still on to see if it's finished.



timeLight

Check the status of the cycle easily. Useable on any surface of any colour, the innovative timeLight projects the remaining time as well as other essential information of the dishwasher cycle onto the floor. With quiet dishwashers, this solution lets you know the dishwasher is running and how long is left at a glance, so you can avoid opening the door mid-cycle.



infoLight



timeLight

Added kitchen convenience.



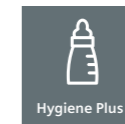
Energy efficiency

All Siemens built-in dishwashers are rated between an A+ or A+++ for efficiency.



Silence programme

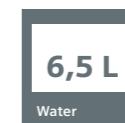
You'll barely hear our dishwashers running. When the Silence programme is selected the dishwashers noise level is reduced by 2 – 3dB so you can relax in peace. This is achieved by decreasing water pressure and extending run time. Values stated in matrix under noise level.



Hygiene Plus

Great for cleaning chopping boards, food containers and utensils, the hygiene option kills bacteria and germs. Providing a simple solution to the upkeep of your family's health, the final rinse heats up to 70°C regardless of the cycle you choose.*

*Not on delicate programme.



Water consumption

Our built-in dishwashers' lowest water usage programme is 6.5L per cycle* if the Eco 50 programme is selected, for the most resource efficient option.

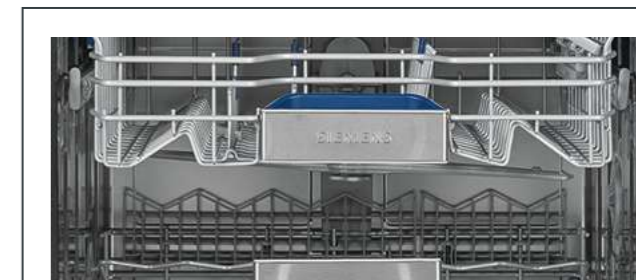
*Based on SN658D01MG

Light up your dishwasher.



emotionLight

Siemens dishwashers feature an internal blue emotionLight that has the wow-factor. Creating a relaxed ambiance, the emotionLight uses LED lights to reflect off your brilliantly-cleaned glasses and create a cool blue glow emanating from inside your dishwasher when you open the door, and switching off again when you close it.



Machine Care

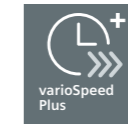
Machine Care with Siemens dishwashers

For excellent results when washing and drying, it is important to look after your dishwasher correctly. All of our integrated Siemens dishwashers include the Machine Care Programme. This is designed to be used together with a dishwasher cleaning detergent and provides a short, high temperature, high pressure wash designed to remove limescale and grease build up inside your dishwasher and outlet pipes. With iQ700 and iQ500 the dishwasher will remind you every 30 cycles or so to run this programme, to keep your appliance running as efficiently as possible.



Model shown: SN678D06TG fully integrated dishwasher

Features available on all dishwasher models.



varioSpeed Plus
Use the varioSpeed Plus button to run the dishwasher significantly faster without compromising on wash quality. Standard on all models.



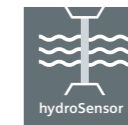
dosageAssist
Quickly and evenly dissolves dishwasher tablets throughout the entire machine, leaving no mess to clean at the end of the cycle. This also prevents the tablet getting stuck in your dishware ensuring no cleaning product residue is left after the cycle.



extraDry
The "extraDry" option can be added to any programme and will extend the drying cycle. This can be useful for harder to dry loads.



intensiveZone
Delicate items and pots and pans can be cleaned together in the same wash. The intensiveZone option increases the spray pressure and temperature in the bottom basket to handle burnt on pans, whilst delicate items can be washed safely in the top basket.



hydroSensor
Makes sure that the optimum temperature is used depending on how dirty the dishes are, meaning that dishes are perfectly clean the first time round.



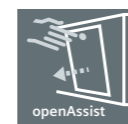
Heat exchanger
Protect your glasses from cracking with gentle water heating. Heat generated during the wash cycle is used to pre-heat the rinsing water to stop glasses being put under stress. Standard on all models.



loadSensor
By monitoring that the optimum amount of water is flowing through the dishwasher throughout the cycle, loadSensor helps to ensure that dishes are cleaned thoroughly.



A modern handleless kitchen.



openAssist
With door openAssist you can open fully integrated dishwashers by simply touching the front of the unit, making loading and unloading easy. This removes the need for a handle and is the ideal choice for designer kitchens. With this feature you can even implement a child lock so that the appliance requires two gentle touches before opening.



Wine glass holder
This accessory holds up to four long-stemmed glasses safely and securely. The innovative lock mechanism ensures glasses are stable in the basket, yet with minimal contact areas to avoid any water pooling or streaks.



Wine glass holder



Model shown: SN658D02MG fully integrated dishwasher

Introducing the next level of dishwashing: studioLine.

studioLine

Speed, performance and efficiency built-in: studioLine dishwashers.

Setting new standards for speed, cleaning performance and energy efficiency built-in dishwashers from Siemens are among the fastest and most economical in the world, without compromising on exceptional cleaning results. Thanks to innovative features such as Zeolith®, a mineral technology that delivers brilliant drying results, studioLine dishwashers offer an energy efficiency class of A+++.

Discover exciting additional features when purchasing studioLine dishwashing models:



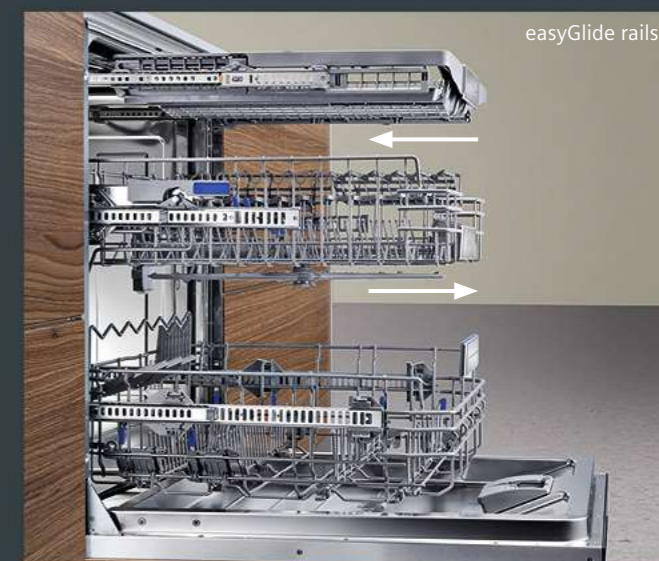
emotionLight Pro
Experience even more from Siemens, with the emotionLight Pro. Choose from up to 256 different colour variants and change the internal hue of your dishwasher, simply using the Home Connect App.



emotionLight Pro: Choose from up to 256 colours



easyGlide rails
Using the telescopic rail system, ball bearings help to easily slide the baskets in and out of the machine. For total convenience the secure fixing of the baskets means there is no risk of them becoming misaligned under heavy weights.



easyGlide rails

Model shown: SN878D26PE
studioLine fully integrated dishwasher

Model shown above: SN878D26PE studioLine fully integrated dishwasher

studioLine and standard 60cm dishwashers



iQ 700 SN878D26PE

studioLine 60cm fully integrated dishwasher



60cm dishwasher specifications

APPLIANCE TYPE	60CM STUDIO LINE
Design family	iQ 700
Model number	SN878D26PE
Highlights	easyGlide rails, emotionLight Pro, Home Connect, Zeolith®, door openAssist, timeLight, varioFlex Pro baskets, varioDrawer Pro
Control panel	Black touch control with TFT display
Height (cm) / Hinge type	81.5 / Fixed
DESIGN FEATURES	
Home Connect Wi-Fi connectivity	■
Floor projection display	timeLight
Door openAssist	■
brilliantShine	■
Drying system	Zeolith®
Interior emotionLight	Pro (custom select colour)
Basket type	varioFlex Pro
varioDrawer	Retrofit varioDrawer Pro
easyGlide rails	■
Adjustable upper basket	rackMatic™ 3 stage
Largest loadable dish upper / lower rack (cm)	27 / 31
Number of flip tines in upper / lower basket	6 / 8
Real-time clock	■
Start delay time max (h)	24
End of cycle indicator	Acoustic
Rinse aid and salt light indicators	■
hydroSensor and loadSensor technology	■
Child safety	■
Self cleaning filter system	■
hydroSafe 24 hour flood protection system	■
PROGRAMMES / FUNCTIONS	
List of programmes	Intensive 70°C Auto 45-65°C Economy 50°C Silence 50°C Short 60°C Glass 40°C Quick Wash 45°C Pre-Rinse
Additional operational options	Shine&Dry, Hygiene Plus, intensiveZone, Wi-Fi, varioSpeed Plus
Machine care	■
Number of different wash temperatures	6
TECHNICAL INFORMATION	
Reference programme for measurements	Economy 50
Energy efficiency class	A+++
Total annual energy (kWh) / water (litres) consumption ¹	230 / 2660
Energy (kWh) / water (litres) consumption ²	0.80 / 9.5
Number of place settings	12
Noise level (dB [A] re 1pW)	41 (39 in Silence programme)
Total cycle time of reference programme (min)	195
Length of electrical supply cord (cm)	175
Length of inlet / outlet hose (cm)	165 / 190
Maximum height for installation (mm)	875
Maximum adjustability feet (mm)	60
Maximum width for installation (mm)	600
Width / depth of the product (mm)	598 / 550
Net weight / gross weight (kg)	54 / 56
Maximum accepted water hardness	50°DH
Maximum temperature for water intake (°C) ³	60
Interior cavity	Stainless steel
Included accessories	Retrofit varioDrawer Pro, Steam deflection plate

■ Yes, model has this feature. – Feature not available for this model.

¹ Based on 280 standard cleaning cycles using cold water fill, including consumption of the standby mode.
² The Consumption per cleaning cycle of the "Eco 50" programme using cold water fill.
³ We would recommend our dishwashers are connected to the mains water supply where possible. However, they may also be connected to an external water softener as long as the water softener produces softened water of less than 1.1 mmol/litre (7.0°e) and the water softener in the appliance is turned off. Please contact product advice for further information. Water pressure required: 0.5-10 Bar. Flow rate: 10 litres per minute. Inlet valve connected directly to ¾" screwed joint.



varioFlex Pro basket system

varioFlex Pro Baskets create extra room for pots and pans. With an optimised lower basket design for large plates and adjustable sides highlighted with blue touchpoints, your dishwasher can adapt to any load quickly and easily.

varioDrawer Pro included

Selected models now include a varioDrawer Pro, giving you a third loading level for cutlery and removing the need for a cutlery basket. This creates more room for large pots and pans below and includes space for small items such as ladles and espresso cups.

Please note: Models SN878D26PE and SX878D26PE will be supplied with a varioDrawer Pro in addition to specification.



60cm dishwasher specifications

APPLIANCE TYPE	60CM STUDIO LINE	iQ 700	60CM FULLY INTEGRATED DISHWASHERS	iQ 500	iQ 500
Design family	iQ 700	iQ 700	iQ 700	iQ 500	iQ 500
Model number	SX878D26PE	SN678D06TG	SN678D01TG	SN658D00MG	SN658D01MG
Highlights	86.5cm, easyGlide rails, emotionLight Pro, Home Connect, Zeolith®, door openAssist, timeLight, varioFlex Pro baskets, varioDrawer Pro	Home Connect, Zeolith®, door openAssist, TFT display, emotionLight (blue), timeLight, varioFlex Pro baskets, varioDrawer Pro	A+++, Zeolith®, door openAssist, TFT display, emotionLight (blue), timeLight, varioFlex Pro baskets, varioDrawer Pro	A+++, Zeolith®, door openAssist, TFT display, emotionLight (blue), timeLight, varioFlex baskets, varioDrawer	6.5L, door openAssist, emotionLight (blue), timeLight, varioFlex baskets, varioDrawer
Control panel	Black touch control with TFT display	Black touch control with TFT display	Black touch control with TFT display	Black touch control with LED display	Black touch control with LED display
Height (cm) / Hinge type	86.5 / Fixed	81.5 / Fixed	81.5 / Fixed	81.5 / Fixed	81.5 / Fixed
DESIGN FEATURES					
Home Connect Wi-Fi connectivity	■	■	–	–	–
Floor projection display	timeLight	timeLight	timeLight	timeLight	timeLight
Door openAssist	■	■	■	■	■
brilliantShine	■	■	■	■	–
Drying system	Zeolith®	Zeolith®	Zeolith®	Zeolith®	Heat exchanger
Interior emotionLight	Pro (custom select colour)	Blue	Blue	Blue	Blue
Basket type	varioFlex Pro	varioFlex Pro	varioFlex Pro	varioFlex with coloured touch points	varioFlex with coloured touch points
varioDrawer	Retrofit varioDrawer Pro	varioDrawer Pro	varioDrawer Pro	varioDrawer	varioDrawer
easyGlide rails	■	–	–	–	–
Adjustable upper basket	rackMatic™ 3 stage	rackMatic™ 3 stage	rackMatic™ 3 stage	rackMatic™ 3 stage	rackMatic™ 3 stage
Largest loadable dish upper / lower basket (cm)	29 / 34	21 / 31	21 / 31	21 / 31	21 / 31
Number of flip tines in upper / lower basket	6 / 8	6 / 8	6 / 8	2 / 4	2 / 4
Real-time clock	■	■	■	–	–
Start delay time max (h)	24	24	24	24	24
End of cycle indicator	Acoustic	Acoustic	Acoustic	Acoustic	Acoustic
Rinse aid and salt light indicators	■	■	■	■	■
hydroSensor and loadSensor technology	■	■	■	■	■
Child safety	■	■	■	■	■
Self cleaning filter system	■	■	■	■	■
hydroSafe 24 hour flood protection system	■	■	■	■	■
PROGRAMMES / FUNCTIONS					
List of programmes	Intensive 70°C Auto 45-65°C Economy 50°C Silence 50°C Short 60°C Glass 40°C Quick Wash 45°C Pre-Rinse	Intensive 70°C Auto 45-65°C Economy 50°C Silence 50°C Short 60°C Glass 40°C Quick Wash 45°C Pre-Rinse	Intensive 70°C Auto 45-65°C Economy 50°C Silence 50°C Short 60°C Glass 40°C Quick Wash 45°C Pre-Rinse	Intensive 70°C Auto 45-65°C Economy 50°C Silence 50°C Short 60°C Glass 40°C Quick Wash 45°C Pre-Rinse	Intensive 70°C Auto 45-65°C Economy 50°C Silence 50°C Short 60°C Glass 40°C 1 hour Quick Wash 45°C Pre-Rinse
Additional operational options	Shine&Dry, Hygiene Plus, intensiveZone, Wi-Fi, varioSpeed Plus	Shine&Dry, Hygiene Plus, intensiveZone, Wi-Fi, varioSpeed Plus	Shine&Dry, Hygiene Plus, intensiveZone, varioSpeed Plus	Shine&Dry, Hygiene Plus, intensiveZone, varioSpeed Plus	extraDry, Hygiene Plus, intensiveZone, varioSpeed Plus
Machine care	■	■	■	■	■
Number of different wash temperatures	6	6	6	6	5
TECHNICAL INFORMATION					
Reference programme for measurements	Economy 50	Economy 50	Economy 50	Economy 50	Economy 50
Energy efficiency class	A+++	A+++	A+++	A+++	A++
Total annual energy (kWh) / water (litres) consumption ¹	230 / 2660	234 / 2660	237 / 2660	237 / 2660	262 / 1820
Energy (kWh) / water (litres) consumption ²	0.80 / 9.5	0.83 / 9.5	0.83 / 9.5	0.83 / 9.5	0.92 / 6.5
Number of place settings	12	14	14	14	13
Noise level (dB [A] re 1pW)	41 (39 in Silence programme)	41 (39 in Silence programme)	42 (40 in Silence programme)	44 (42 in Silence programme)	44 (41 in Silence programme)
Total cycle time of reference programme (min)	195	195	195	195	195
Length of electrical supply cord (cm)	175	175	175	175	175
Length of inlet / outlet hose (cm)	165 / 190	165 / 190	165 / 190	165 / 190	165 / 190
Maximum height for installation (mm)	925	875	875	875	875
Maximum adjustability feet (mm)	60	60	60	60	60
Maximum width for installation (mm)	600	600	600	600	600
Width / depth of the product (mm)	598 / 550	598 / 550	598 / 550	598 / 550	598 / 550
Net weight / gross weight (kg)	55 / 57	52 / 54	47 / 49	41 / 43	41 / 43
Maximum accepted water hardness	50°DH	50°DH	50°DH	50°DH	50°DH
Maximum temperature for water intake (°C) ³	60	60	60	60	60
Interior cavity	Stainless steel	Stainless steel	Stainless steel	Stainless steel	Stainless steel
Included accessories	Retrofit varioDrawer Pro, Steam deflection plate	Large item spray head, Glass tray, Steam deflection plate	Large item spray head, Glass tray, Steam deflection plate	Large item spray head, Glass tray, Steam deflection plate	Large item spray head, Glass tray, Steam deflection plate

■ Yes, model has this feature. – Feature not available for this model.

¹ Based on 280 standard cleaning cycles using cold water fill, including consumption of the standby mode.
² The Consumption per cleaning cycle of the "Eco 50" programme using cold water fill.
³ We would recommend our dishwashers are connected to the mains water supply where possible. However, they may also be connected to an external water softener as long as the water softener produces softened water of less than 1.1 mmol/litre (7.0°e) and the water softener in the appliance is turned off. Please contact product advice for further information. Water pressure required: 0.5-10 Bar. Flow rate: 10 litres per minute. Inlet valve connected directly to ¾" screwed joint.

60cm dishwasher specifications



APPLIANCE TYPE	60CM FULLY INTEGRATED DISHWASHERS			
Design family	iQ 500	iQ 300	iQ 300	iQ 300
Model number	SN658D02MG	SN736X03ME	SX736X03ME	SN636X00KG
Highlights	39dB, door openAssist, emotionLight (blue), timeLight, varioFlex baskets, varioDrawer	varioHinge, A++, infoLight (blue), varioDrawer	86.5cm, varioHinge, A++, infoLight (blue), varioDrawer	infoLight (blue), varioDrawer
Control panel	Black touch control with LED display	Stainless steel push button with LED display	Stainless steel push button with LED display	Black push button with LED display
Height (cm) / Hinge type	81.5 / Fixed	81.5 / varioHinge	86.5 / varioHinge	81.5 / Fixed
DESIGN FEATURES				
Home Connect Wi-Fi connectivity	-	-	-	-
Floor projection display	timeLight	infoLight (blue)	infoLight (blue)	infoLight (blue)
Door openAssist	■	-	-	-
brilliantShine	-	-	-	-
Drying system	Heat exchanger	Heat exchanger	Heat exchanger	Heat exchanger
Interior emotionLight	Blue	-	-	-
Basket type	varioFlex with coloured touch points	varioFlex	varioFlex	varioFlex
varioDrawer	varioDrawer	varioDrawer	varioDrawer	varioDrawer
easyGlide rails	-	-	-	-
Adjustable upper basket	rackMatic™ 3 stage	rackMatic™ 3 stage	rackMatic™ 3 stage	rackMatic™ 3 stage
Largest loadable dish upper / lower basket (cm)	21 / 31	21 / 31	23 / 34	21 / 31
Number of flip tines in upper / lower basket	2 / 4	2 / 4	2 / 4	2 / 4
Real-time clock	-	-	-	-
Start delay time max (h)	24	24	24	24
End of cycle indicator	Acoustic	Acoustic	Acoustic	Acoustic
Rinse aid and salt light indicators	■	■	■	■
hydroSensor and loadSensor technology	■	■	■	■
Child safety	■	-	-	-
Self cleaning filter system	■	■	■	■
hydroSafe 24 hour flood protection system	■	■	■	■
PROGRAMMES / FUNCTIONS				
List of programmes	Intensive 70°C Auto 45-65°C Economy 50°C Silence 50°C Glass 40°C 1 hour Quick Wash 45°C Pre-Rinse	Intensive 70°C Auto 45-65°C Economy 50°C Glass 40°C 1 hour Pre-Rinse	Intensive 70°C Auto 45-65°C Economy 50°C Glass 40°C 1 hour Pre-Rinse	Intensive 70°C Auto 45-65°C Economy 50°C Silence 50°C Glass 40°C 1 hour Quick Wash 45
Additional operational options	extraDry, Hygiene Plus, intensiveZone, varioSpeed Plus	extraDry, intensiveZone, varioSpeed Plus	extraDry, intensiveZone, varioSpeed Plus	extraDry, varioSpeed Plus
Machine care	■	■	■	■
Number of different wash temperatures	5	5	5	5
TECHNICAL INFORMATION				
Reference programme for measurements	Economy 50	Economy 50	Economy 50	Economy 50
Energy efficiency class	A+	A++	A++	A++
Total annual energy (kWh) / water (litres) consumption ¹	299 / 2660	266 / 2660	266 / 2660	262 / 2660
Energy (kWh) / water (litres) consumption ²	1.05 / 9.5	0.93 / 9.5	0.93 / 9.5	0.92 / 9.5
Number of place settings	14	14	14	13
Noise level (dB [A] re 1pW)	39 (37 in Silence programme)	44	44	46
Total cycle time of reference programme (min)	195	210	210	210
Length of electrical supply cord (cm)	175	175	175	175
Length of inlet / outlet hose (cm)	165 / 190	165 / 190	165 / 190	165 / 190
Maximum height for installation (mm)	875	875	925	875
Maximum adjustability feet (mm)	60	60	60	60
Maximum width for installation (mm)	600	600	600	600
Width / depth of the product (mm)	598 / 550	598 / 550	598 / 550	598 / 550
Net weight / gross weight (kg)	48 / 50	39 / 41	40 / 42	36 / 38
Maximum accepted water hardness	50°DH	50°DH	50°DH	50°DH
Maximum temperature for water intake (°C) ³	60	60	60	60
Interior cavity	Stainless steel	Stainless steel	Stainless steel	Stainless steel / Polinox base
Included accessories	Large item spray head, Glass tray, Steam deflection plate	Steam deflection plate	Steam deflection plate	Large item spray head, Steam deflection plate

■ Yes, model has this feature. – Feature not available for this model.

¹ Based on 280 standard cleaning cycles using cold water fill, including consumption of the standby mode.

² The Consumption per cleaning cycle of the "Eco 50" programme using cold water fill.

³ We would recommend our dishwashers are connected to the mains water supply where possible. However, they may also be connected to an external water softener as long as the water softener produces softened water of less than 1.1 mmol/litre (7.0°e) and the water softener in the appliance is turned off. Please contact product advice for further information. Water pressure required: 0.5-10 Bar. Flow rate: 10 litres per minute. Inlet valve connected directly to 3/4" screwed joint.

Slimline 45cm dishwashers

iQ 500 SR656X01TE

Fully integrated 45cm slimline dishwasher



Slimline

Slimline designs are perfect for kitchens with limited space. Enjoy the same exciting features as the 60cm models including Zeolith® in one of our 45cm models or hydroDry in the other. Explore flexible shelving choices to hold an extra capacity of dishes, as well as convenience features such as door open assist and timeLight.

Slimline 45cm dishwasher specifications



APPLIANCE TYPE	45CM FULLY INTEGRATED SLIMLINE DISHWASHERS	
Design family	iQ 500	iQ 500
Model number	SR656X01TE	SR636D00MG
Highlights	A+++, Zeolith®, emotionLight (blue), timeLight, varioFlex Pro baskets, varioDrawer Pro	Door openAssist, A++, infoLight, varioFlex baskets, varioDrawer
Control panel	Stainless steel push button with LED display	Black push button with LED display
Height (cm) / Hinge type	81.5 / Fixed	81.5 / Fixed
DESIGN FEATURES		
Home Connect Wi-Fi connectivity	-	-
Floor projection display	timeLight	infoLight
Door openAssist	-	■
brilliantShine	-	-
Drying system	Zeolith®	Heat exchanger
Interior emotionLight	Blue	-
Basket type	varioFlex Pro	varioFlex
varioDrawer	varioDrawer Pro	varioDrawer
easyGlide rails	-	-
Adjustable upper basket	rackMatic™ 3 stage	rackMatic™ 3 stage
Largest loadable dish upper / lower basket (cm)	21 / 31	21 / 31
Number of flip tines in upper / lower basket	3 / 4	2 / 2
Real-time clock	-	-
Start delay time max (h)	24	24
End of cycle indicator	Acoustic	Acoustic
Rinse aid and salt light indicators	■	■
hydroSensor and loadSensor technology	■	■
Child safety	-	■
Self cleaning filter system	■	■
hydroSafe 24 hour flood protection system	■	■
PROGRAMMES / FUNCTIONS		
List of programmes	Intensive 70°C Auto 45-65°C Economy 50°C Silence 50°C Short 60°C Glass 40°C	Intensive 70°C Auto 45-65°C Economy 50°C Silence 50°C 1 hour Quick Wash 45
Additional operational options	Shine&Dry, intensiveZone, varioSpeed Plus	Hygiene Plus, intensiveZone, varioSpeed Plus
Machine care	■	■
Number of different wash temperatures	6	4
TECHNICAL INFORMATION		
Reference programme for measurements	Economy 50	Economy 50
Energy efficiency class	A+++	A++
Total annual energy (kWh) / water (litres) consumption ¹	188 / 2660	211 / 2660
Energy (kWh) / water (litres) consumption ²	0.66 / 9.5	0.74 / 9.5
Number of place settings	10	10
Noise level (dB [A] re 1pW)	43 (41 in Silence programme)	46 (43 in Silence programme)
Total cycle time of reference programme (min)	195	195
Length of electrical supply cord (cm)	175	175
Length of inlet / outlet hose (cm)	165 / 205	165 / 205
Maximum height for installation (mm)	875	875
Maximum adjustability feet (mm)	60	60
Maximum width for installation (mm)	450	450
Width / depth of the product (mm)	448 / 550	448 / 550
Net weight / gross weight (kg)	41 / 42	32 / 33
Maximum accepted water hardness	50°DH	50°DH
Maximum temperature for water intake (°C) ³	60	60
Interior cavity	Stainless steel	Stainless steel
Included accessories	Steam deflection plate	Large item spray head, Steam deflection plate

■ Yes, model has this feature. – Feature not available for this model.

¹ Based on 280 standard cleaning cycles using cold water fill, including consumption of the standby mode.

² The Consumption per cleaning cycle of the "Eco 50" programme using cold water fill.

³ We would recommend our dishwashers are connected to the mains water supply where possible. However, they may also be connected to an external water softener as long as the water softener produces softened water of less than 1.1 mmol/litre (7.0°e) and the water softener in the appliance is turned off. Please contact product advice for further information. Water pressure required: 0.5-10 Bar. Flow rate: 10 litres per minute. Inlet valve connected directly to 3/4" screwed joint.

Laundry care, high performance with state-of-the-art technology.

Siemens has created a built-in laundry range that is cleverly designed and quietly energy efficient, developed to make laundry easier and less of a chore.

Our machines take full advantage of the latest technology and innovation all behind closed doors. Cleverly designed and quietly efficient our built-in washing machines and washer dryers produce beautifully clean clothes whilst fitting seamlessly within your furniture. Performance behind the door.

Siemens laundry warranties:

2
Year Warranty

2 Year Warranty
A Two Year Warranty is available as on all Siemens washing machines and washer dryers listed in this brochure to protect against manufacturing and material faults during this warranty period.

AquaStop
Lifetime Warranty

AquaStop Lifetime Warranty
Selected Siemens laundry appliances have a lifetime AquaStop warranty to protect against water damage caused by a defective AquaStop system. For models with this warranty please check the matrix.

iQdrive® Motor
10
Year Warranty

iQdrive® Motor 10 Year Warranty
The iQdrive® Motor Warranty is available on selected laundry machines to protect against any defects to the iQdrive® motor. For models with this warranty please check the laundry matrix.

To find out more about your warranty and for registration please refer to page 179.

Model shown: **WI14W500GB** washing machine



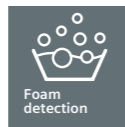
Key features in laundry care.



Efficient Laundry appliances that can be concealed neatly behind the door, helping to retain clean lines and modern aesthetics, with a range of key features that all help to make laundry less of a chore.



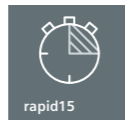
reload
The reload function allows the machine to be paused and the door opened at the next safe opportunity. It is the perfect solution when an extra item needs to be added to the load.



Foam detection
Detects if too much foam has been created in the wash, if so, it will adjust the drum movement and add an extra rinse cycle if necessary.



Night wash programme
Specially designed to wash and dry up to 4kg overnight. Particularly quiet wash programme with a reduced final spin.



rapid15
Washes, rinses and spins lightly soiled clothing in just 15 minutes, designed for those with hectic lives this wash cycle will clean clothes when you are in a hurry.

Extremely Quiet washing machines

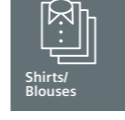
Thanks to the brushless iQdrive motor and antiVibration side panels, Siemens built-in washing machines are particularly quiet in their class.

Extremely Quiet washer dryers

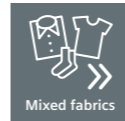
Our washer dryers are designed to be as quiet as possible while still offering excellent performance and results when washing and drying, so you can get on with your day without any disturbance.



Wool programme
An exceptionally gentle woollen hand wash programme. The drum is set to provide a cradle motion, with only an occasional rotation, giving a soft wash action. A special spin phase finishes the cycle.



Shirts/Blouses
The ideal programme for a weeks' worth of shirts, offering a reduced spin to reduce ironing. Suitable for up to 2kg worth of washing, this cycle is designed to run for just over an hour.



Mixed fabrics
Perfect for the mid-week wash of a mixture of cottons, hard-wearing or easy-care fabrics, load up to 4kg worth of garments with a running time of just 49 minutes.



Delicates/silk
This gentle programme is perfect for those delicate, washable fabrics, e.g. silk, satin, synthetics or blended fabrics (e.g. curtains). Cool temperatures, gentle spinning between the rinse cycles, and reduced final spin speeds reduces creases dramatically.



autoLoad
Removes the guesswork from laundry, automatically selecting the correct programme for your clothes to produce the best results. All you need to do is add detergent and laundry – the machine will do the rest.



Model shown: W114W500GB washing machine

The complete laundry solution with features that fit around your lifestyle.

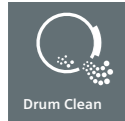
Features specific to washing machines



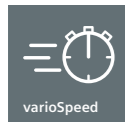
Energy efficient washing machines
Siemens washing machines automatically adapt the wash time and energy consumption to the amount of laundry in the machine. All of the washing machines in the built-in range are rated A+++.



Capacity
The large 8kg drum capacity is the perfect size to hold more laundry and reduce the number of loads you have to wash.



Drum Clean
An automatic alert after 20 washes to run the Drum Clean programme on a 90°C or 60°C wash keeps the appliance clean and odour free.



varioSpeed
Get perfectly clean laundry in up to 50% less time. This feature can automatically detect when time can be saved. The smart sensor identifies load volume and textile kind, hence adapting the washing machines process time efficiently to suit the specific load.



timeLight
Stay in control and let the laundry fit around you. The timeLight projects the remaining cycle time and programme status onto any floor surface to keep you informed at a glance, and is visible without opening the cabinet door.



Model shown: WI14W500GB washing machine



Features specific to washer dryers



Energy efficient washer dryers
All Siemens washer dryers automatically adapt the wash time and energy consumption to the amount of laundry in the machine.



Washing capacity
The large 7kg washing capacity ensures you can wash clothes with fewer loads.



Drying capacity
The 4kg drying capacity ensures you can dry clothes effectively.



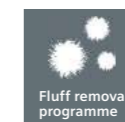
Washing + Drying
The continuous washing and drying cycle is suitable for loads up to 4kg. This cycle will first wash the clothes on your chosen setting and once finished, automatically switches to drying the clothes for ease and speed.



autoDry
Gently dries laundry to exactly the degree of dryness you want.



ActiveWater™
Saves water and costs thanks to a 2-step automatic load adjustment system.



Fluff removal programme
A ten minute fluff removal cycle on washer dryers that removes fluff deposits in the machine. A light indicates when this is needed.



Outdoor
This programme applies a waterproof treatment to breathable fabrics, prolonging the life of high quality functional clothing like winter jackets, fleeces and ski suits.

Washing machines and washer dryers

iQ 700 WI14W500GB

Washing machine
White 1400rpm spin speed



iQ 500 WK14D541GB

Washer dryer
White 1400rpm spin speed



Integrated washer dryer specifications

APPLIANCE TYPE	WASHER DRYERS	
Design family	iQ 500	iQ 300
Model number	WK14D541GB	WK14D321GB
PROGRAMMES / FUNCTIONS		
Standard Programmes		
- Cottons	■	■
- Easy-care programme	■	■
- Wool programme	■	■
- Delicates / silk	■	■
- Intensive dry	■	■
- Gentle dry	■	■
- Rinse	■	■
- Spin	■	■
- Empty	■	■
Specialist Programmes		
- rapid15	■	-
- Night wash	■	-
- Shirts/blouses	■	-
- Outdoor	■	-
- Mixed fabrics	■	■
- Fluff removal programme	■	■
Options		
- Intensive	■	■
- Less ironing	■	■
- Extra rinse	■	■
- Prewash	■	■
- Variable temperature	■	■
- Variable spin	■	■
- Spin speed reduction	■	■
- flexTime	■	■
ADDITIONAL FEATURES		
iQdrive	-	-
AquaStop	■	-
reload	■	■
Foam detection	■	■
autoLoad	■	■
autoDry	■	-
activeWater™	■	-
PERFORMANCE & CONSUMPTION		
Energy efficiency class	B	B
Capacity cotton washing (kg)	7	7
Capacity cotton drying (kg)	4	4
Maximum spin speed (rpm)	1400	1400
Drum volume (litres)	52	52
TECHNICAL INFORMATION		
Dimensions of the product: H x W x D exc door (cm)	82 x 59.5 x 58.4	82 x 59.5 x 58.4
Display	LED	LED
Cabinet colour	White	White
Door opening (°)	95	95
Door hinge	Left-hand	Left-hand

■ Yes, model has this feature. - Feature not available for this model.

Integrated washing machine specifications

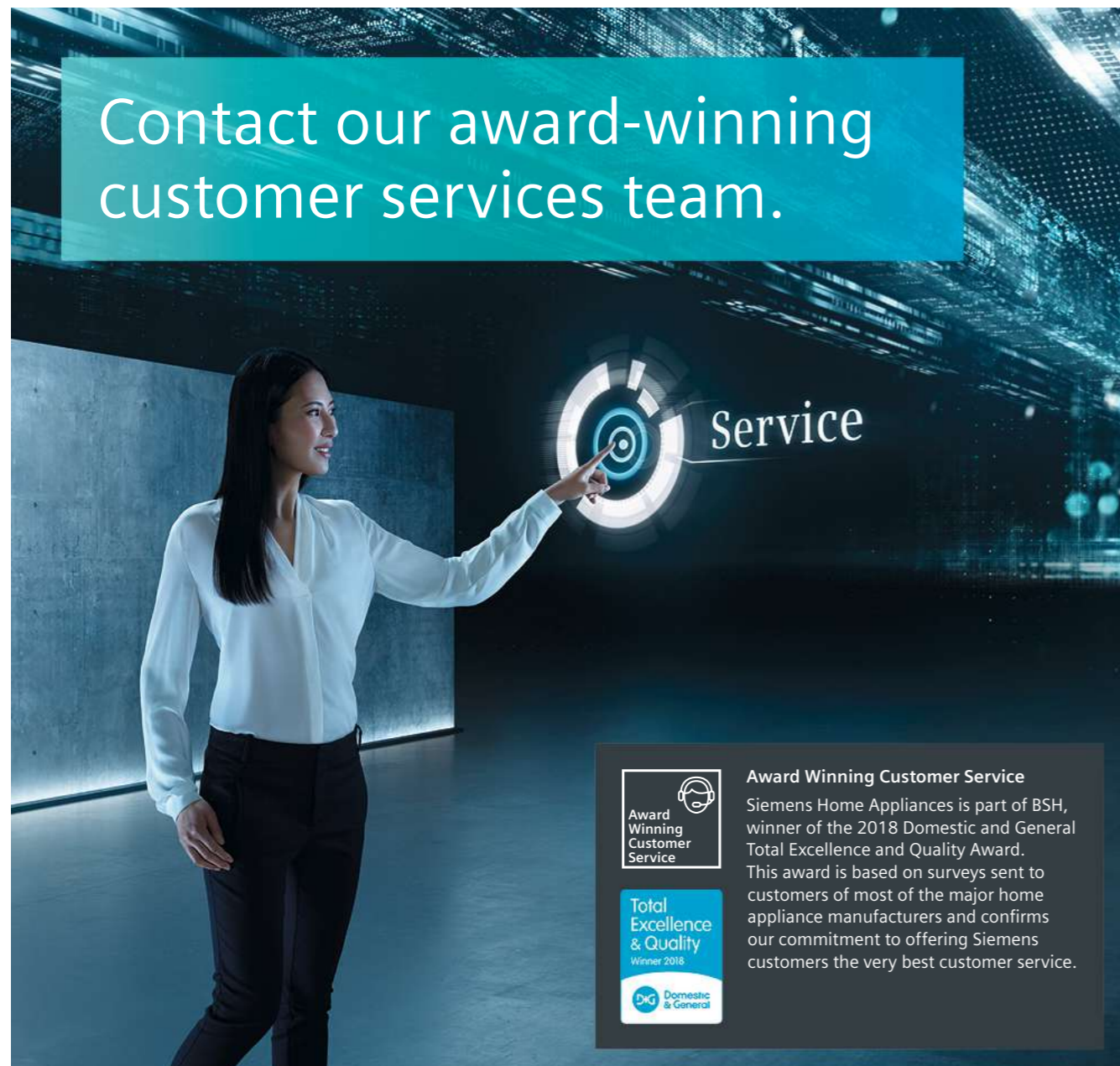
APPLIANCE TYPE	WASHING MACHINES	
Design family	iQ 700	iQ 500
Model number	WI14W500GB	WI14W300GB
PROGRAMMES / FUNCTIONS		
Standard Programmes		
- Cottons	-	-
- Easy-care programme	■	■
- Wool programme	■	■
- Delicates / silk	■ / ■	■ / -
- Intensive dry	-	-
- Gentle dry	-	-
- Rinse	■	■
- Spin	■	■
- Empty	-	-
Specialist Programmes		
- rapid15	■	■
- Night wash	-	-
- Shirts/blouses	■	-
- Outdoor	-	-
- Mixed fabrics	■	■
- Fluff removal programme	-	-
Options		
- Intensive	-	-
- Less ironing	■	-
- Extra rinse	-	■
- Prewash	-	-
- Variable temperature	■	-
- Variable spin	-	-
- Spin speed reduction	■	■
- flexTime	-	-
ADDITIONAL FEATURES		
iQdrive	■	■
AquaStop	■	■
reload	■	■
Foam detection	■	■
Drum Clean	■	■
timeLight	■	■
autoLoad	■	■
varioSpeed	■	■
PERFORMANCE & CONSUMPTION		
Energy efficiency class	A+++	A+++
Capacity cotton washing (kg)	8	8
Capacity cotton drying (kg)	-	-
Maximum spin speed (rpm)	1400	1400
Drum volume (litres)	53	53
TECHNICAL INFORMATION		
Dimensions of the product: H x W x D exc door (cm)	81.8 x 59.6 x 57.4	81.8 x 59.6 x 57.4
Display	LED	LED
Cabinet colour	White	White
Door opening (°)	130	130
Door hinge	Left-hand	Left-hand

■ Yes, model has this feature. - Feature not available for this model.

The full specification for Siemens washing machines and washer dryers can be viewed online, via our website siemens-home.bsh-group.com/uk/

The full specification for Siemens washing machines and washer dryers can be viewed online, via our website siemens-home.bsh-group.com/uk/

ACCESSORIES FOR WASHER DRYERS	
Accessory	WZ20440
Floor Securing Component Fixing kit	WX975600
F1i / F2i / DSI Height adjustment grid Accessory washing machine	WZ20470



Contact our award-winning customer services team.

Service

Award Winning Customer Service
Siemens Home Appliances is part of BSH, winner of the 2018 Domestic and General Total Excellence and Quality Award. This award is based on surveys sent to customers of most of the major home appliance manufacturers and confirms our commitment to offering Siemens customers the very best customer service.

Total Excellence & Quality Winner 2018
Domestic & General

Purchasing a Siemens appliance gives you access to our expert customer service team for the lifetime of your appliance. With 2 year and 5 year manufacturer's warranties on offer*, multi-award winning products to choose from and assistance from an outstanding customer service department, you can be assured that the appliance you are buying will offer peace of mind.

Expert advice

Siemens customer service staff are full of knowledge and expertise, whether you have a question about your Siemens appliance, want to order replacement spare parts or require an engineer to repair your appliance. With engineers based locally across the country**, no one is better suited to help, and all Siemens repairs are analysed in advance so that we bring the correct replacement spare parts likely to be needed on the first visit***.

Original replacement spare parts

Order replacement parts online and access exploded diagrams to help you locate the correct part. As a manufacturer we only use original spare parts and we keep a comprehensive range of parts available for up to ten years to ensure the quality of your appliance. You can also browse appliance diagrams online to locate and purchase the parts you need.

Accessories and cleaning products

You can order accessories and cleaning products quickly and easily via our Siemens online shop. The Siemens shop has an extensive selection of accessories to help you get the most out of your Siemens appliance. With our range of tested and approved cleaning and care products you can keep your appliance looking great and working at its optimum performance. You can quickly order accessories and cleaning products by telephone on 0344 892 8999 (option 2) or by visiting our online shop at www.siemens-home.bsh-group.com/uk/shop.

Arrange a Siemens engineer visit

Need to arrange an engineer visit? No problem. Simply call our customer service team to discuss the problem with your appliance and if needed we will arrange a home appointment with an engineer at a time and date that's convenient for you. Siemens appliances are built to the highest standards but if you do require an engineer to repair your appliance, we are here to help, whether your appliance is inside or outside the manufacturer's warranty period. You can book an appointment by telephone on 0344 892 8999 (option 1) or you can book online.

Our engineers are employed and trained by Siemens and are based locally around the country**.

No one knows our appliances better, and all repairs are analysed in advance by our technical team so that the parts likely to be needed to complete the repair are sent to the engineer's van the night before the visit***.

Our advisors provide expert assistance

- Product information before and after purchase
- Tips on functions and operation
- User related queries
- Help with Siemens promotions

Telephone:

UK: 0344 892 8999 (options 3 and 4)

For product support available 24 hours a day visit our website for:

- Product information
- Downloadable brochures
- Videos
- Instruction manuals
- FAQs

siemens-home.bsh-group.com/uk
siemens-home.bsh-group.com/ie

Accessories and cleaning products

We stock an extensive selection of accessories and cleaning products to help you make the most of your Siemens appliance.

- Original accessories for Siemens appliances
- Tested and approved cleaning and care products
- Quickly and easily order your accessories and cleaning products by telephone or via our online shop

Telephone:

UK: 0344 892 8999 (option 2)

IRL: 01450 2655

siemens-home.bsh-group.com/uk
siemens-home.bsh-group.com/ie

Replacement spare parts

As the manufacturer, we only use original spare parts to ensure the quality of your appliance.

- Comprehensive range of parts kept available for up to 10 years
- Original spare parts
- Browse appliance diagrams online to locate and purchase the parts you need

Telephone:

UK: 0344 892 8999 (option 2)

IRL: 01450 2655

siemens-home.bsh-group.com/uk
siemens-home.bsh-group.com/ie

Arrange an engineer visit

Siemens appliances are built to the highest standards but if you do require an engineer to repair your appliance, we are here to help, whether your appliance is inside or outside the manufacturer's warranty period. Our engineers are employed and trained by Siemens and are based locally around the country*.

No one knows our appliances better, and all repairs are analysed in advance by our technical team so that the parts likely to be needed to complete the repair are sent to the engineer's van the night before the visit***.

- Arrange an engineer appointment at a time and date that's convenient for you

Telephone:

UK: 0344 892 8999 (option 1)

IRL: 01450 2655

www.siemens-home.bsh-group.com/uk
www.siemens-home.bsh-group.com/ie****

Register your manufacturer's warranty

Register my appliance

Siemens recommends that you register all home appliances to ensure you can be easily contacted in the event of an important product update. For more information about registering appliances of all brands, please visit: www.registermyappliance.org.uk

2 Year Warranty
All Siemens home appliances have a Siemens Two Year Manufacturer's Warranty as standard to protect against manufacturing or material faults and defects during this warranty period.

To register telephone:

UK: **0800 519 2116**

IRL: **01230 0344**

Or register online:

siemens-home.bsh-group.com/uk
siemens-home.bsh-group.com/ie

5 Year Warranty
A Siemens Five Year Warranty is available on all Siemens aCool appliances and American fridge freezers to protect against manufacturing or material faults and defects during this warranty period.

To register telephone:

UK: **0344 892 8999** (option 5)

IRL: **01450 2655**

Or register online:

siemens-home.bsh-group.com/uk
siemens-home.bsh-group.com/ie

10 Year iQdrive® Motor Warranty
Protects against manufacturing or material faults and defects to the iQdrive motor only during this warranty period. Selected laundry appliances only.

10 Year Anti-Rust Warranty for dishwashers
Protects against rust in the inner cavity of the appliance during this warranty period. Applies to dishwasher appliances only.

10 Year Compressor Drive Warranty
Covers defects in the compressor motor. Applies to selected cooling appliances only.

Lifetime AquaStop Warranty
A lifetime warranty to protect against water damage caused by a defective AquaStop system. Applies to selected laundry and dishwasher appliances only.

Brochures

24-hour hotline or visit our website.

Call us on:

UK: **0344 892 8999** (option 3)

IRL: **01450 2655**

Lines are open 24 hours a day. Our specialist advisors are available Monday to Friday 08:00am to 20:00pm, Saturday 09:00am to 17:00pm and Sunday 09:00am to 16:00pm. Calls are charged at the basic rate, please check with your telephone service for exact charges.

siemens-home.bsh-group.com/uk
siemens-home.bsh-group.com/ie

Order your brochures or download PDF copies from our website.

* The 5 year manufacturer's warranty is available on selected appliance models only.

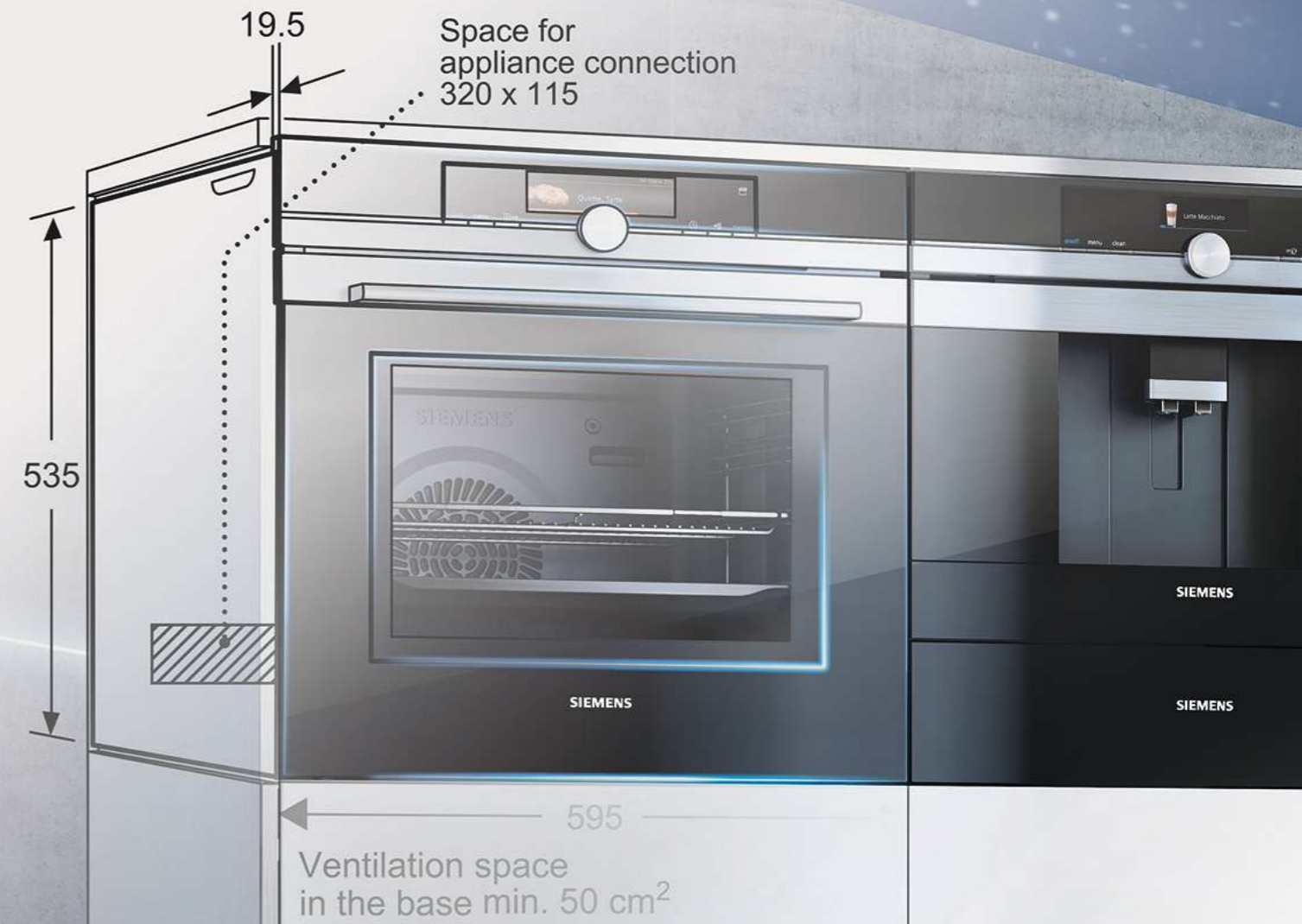
** In certain areas we may use an approved service partner.

*** This process may vary where approved service partners are used by us.

**** Online booking not available in the Republic of Ireland.

† iQdrive warranty covers the cost of a replacement motor only. All labour and call-out charges outside of the 5 year warranty are not covered. A full copy of our warranty terms and conditions is available on request, or can be viewed via the Siemens website. Calls to 0344 numbers are charged at the basic rate, please check with your telephone service provider for exact charges.

SIEMENS



Product installation guide

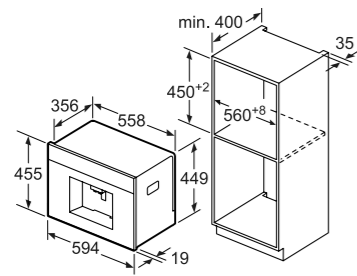
Making every day less everyday. Discover exciting possibilities and innovative features with Siemens built-in appliances.

The future moving in.

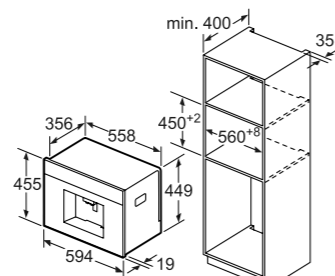
Siemens Home Appliances

Coffee centre technical diagrams

Coffee centres CT836LEB6, CT636LES6

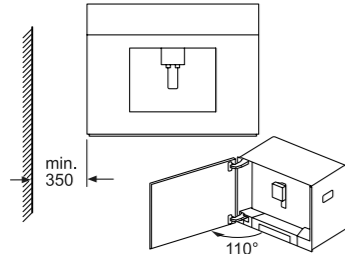


Bean and water containers are removed from the front. Recommended installation height 95-145cm.

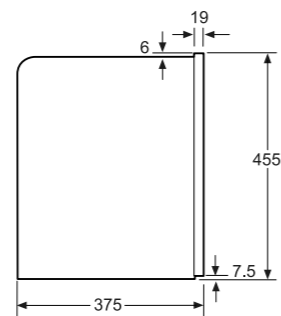


Bean and water containers are removed from the front. Recommended installation height 95-145cm.

left corner installation

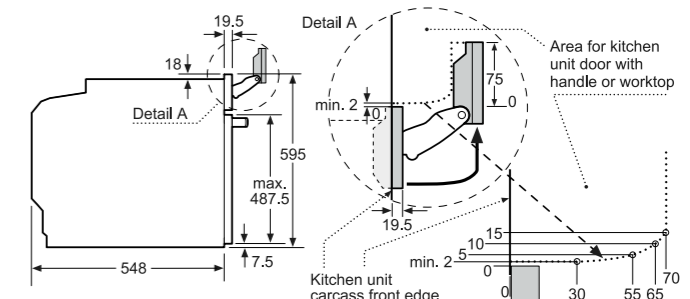
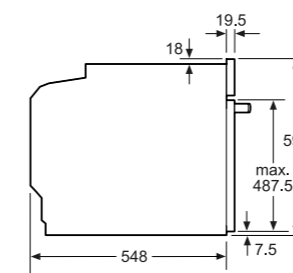
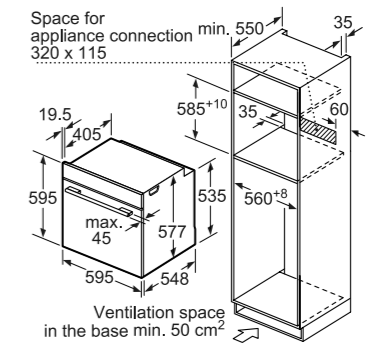
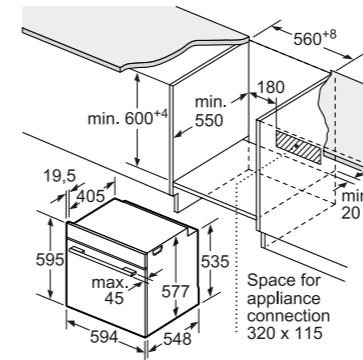


If using the 92° hinge limiter (spare part no. 00636455), the minimum distance to the wall is only 100mm.



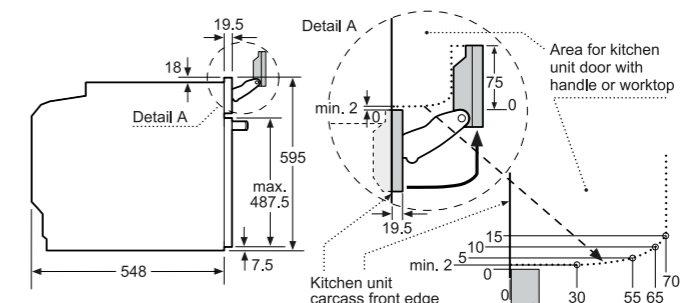
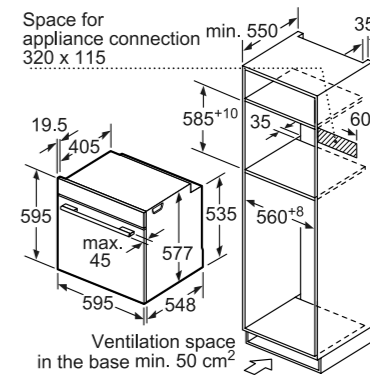
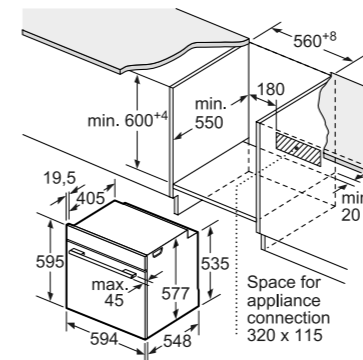
Oven technical diagrams

Single oven HN878G4B6B



Note the pivoting range of the fascia.

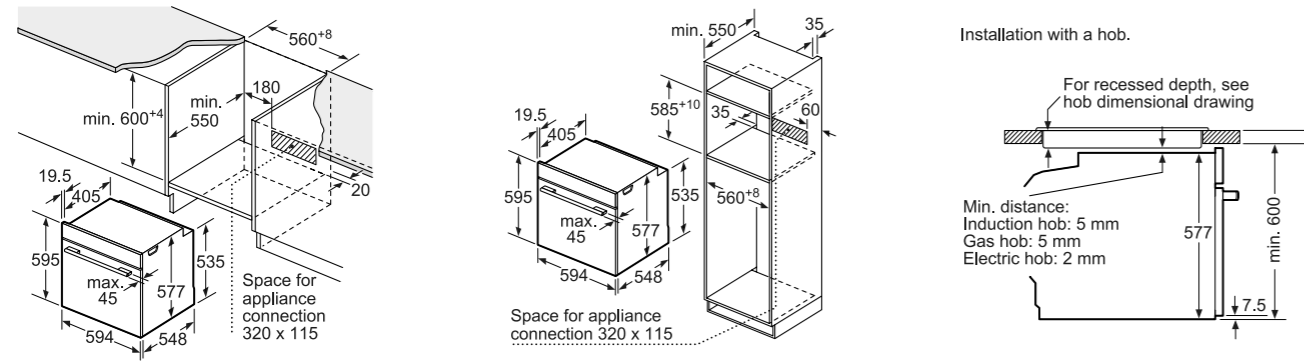
Single ovens HN678GES6B and HS858GXB6B



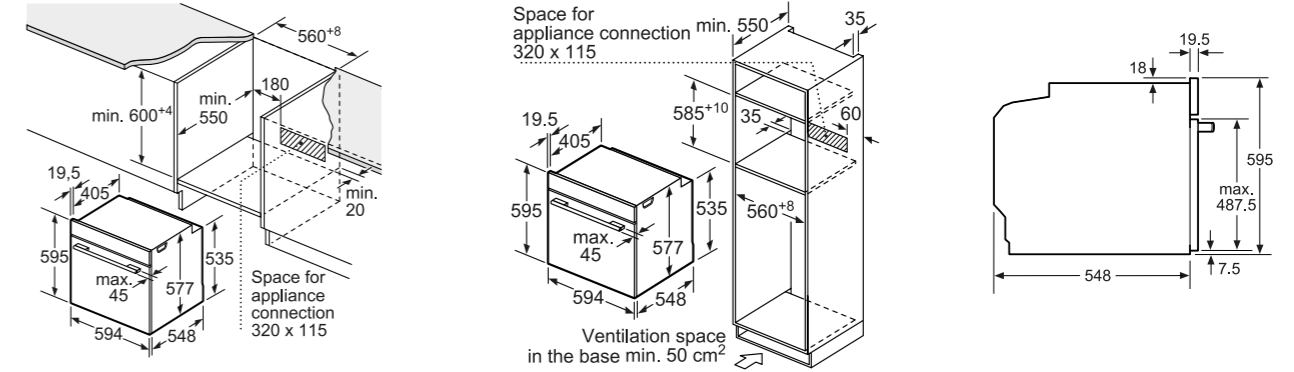
Note the pivoting range of the fascia.

Oven technical diagrams

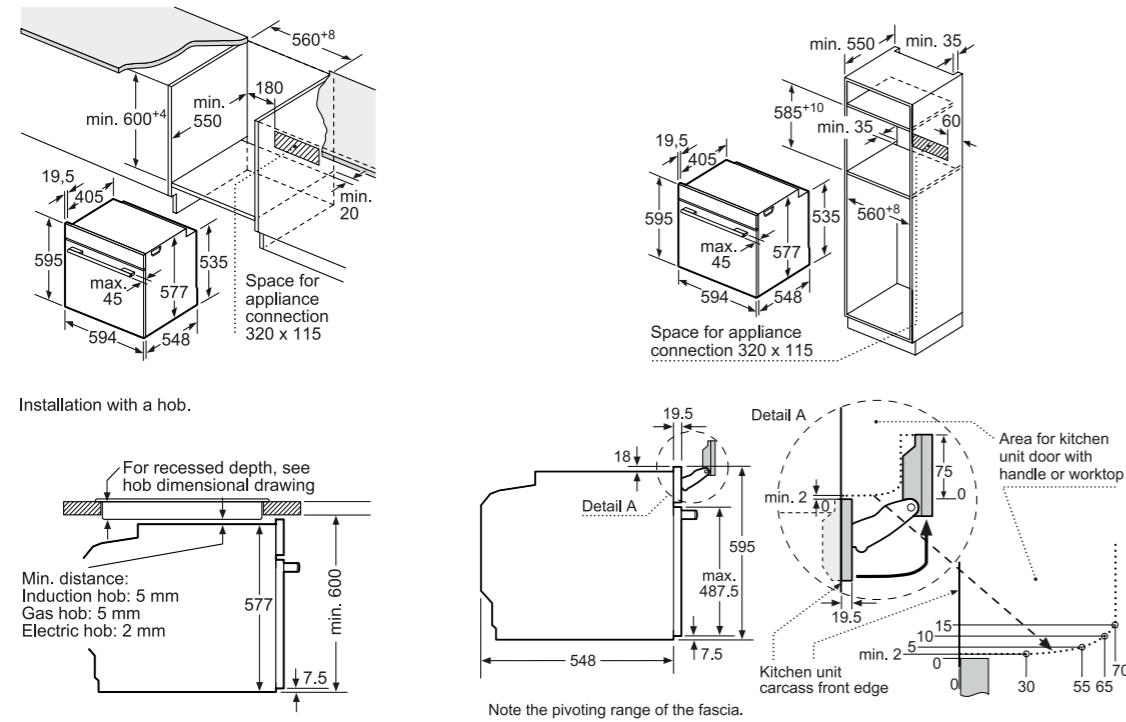
Single ovens HM678G4S6B, HB878GBB6B, HM676GOS6B, HB676GBS6B and HB656GBS6B



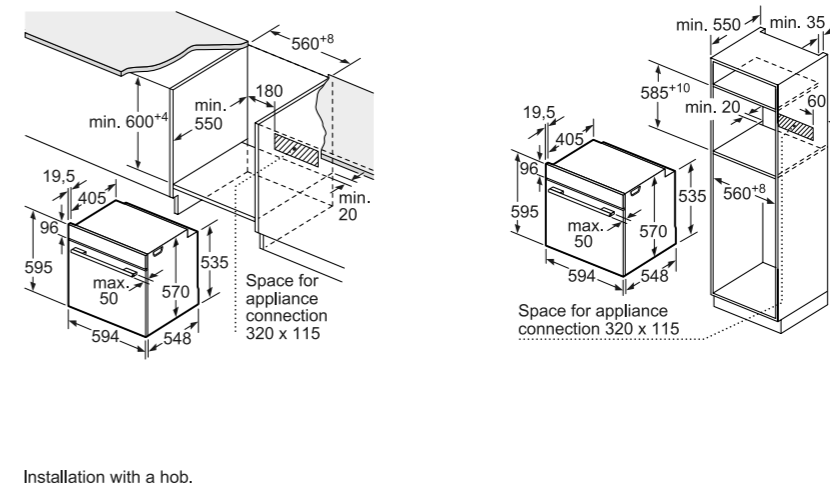
Single oven HM656GNS6B



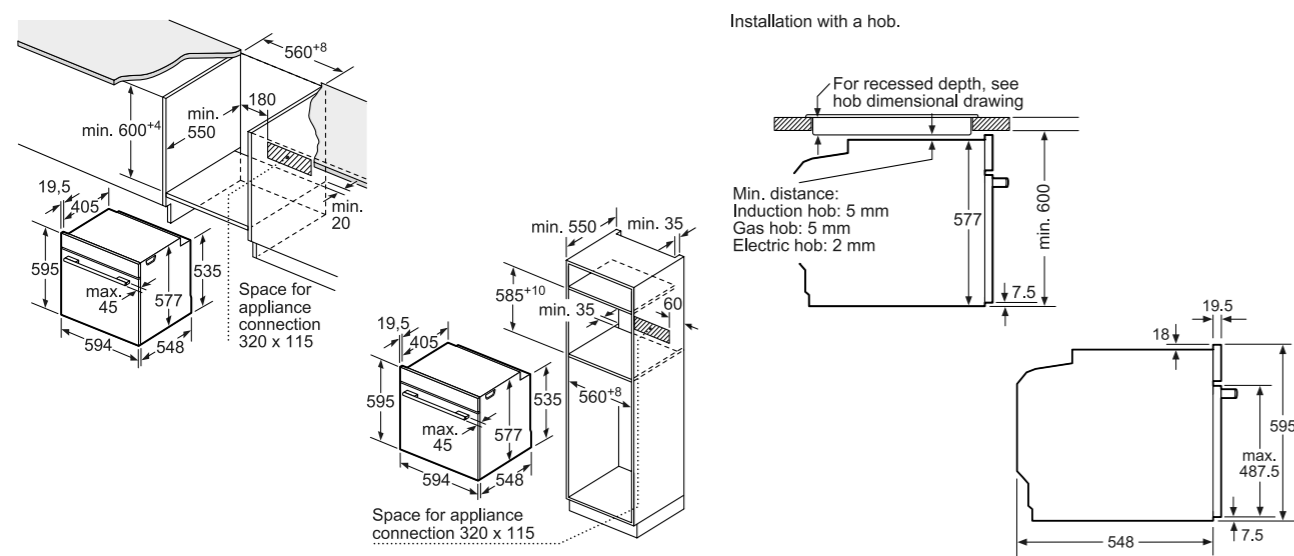
Single ovens HR678GES6B, HR676GBS6B and HS658GES6B



Single ovens HB478GCB0B, HB578G5S0B, HB578A0S0B, HB458GCB0B and HB535A0S0B

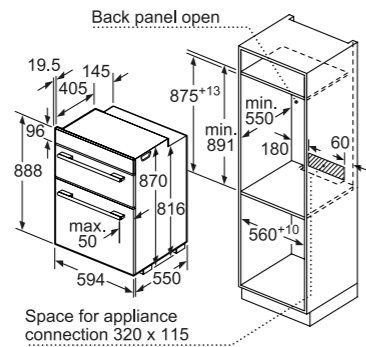


Single ovens HB678GBS6B, HB672GBS1B and HB632GBS1B

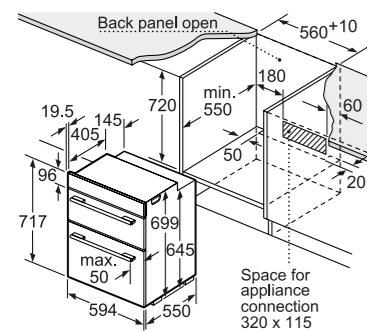


Oven technical diagrams

Double ovens MB578G5S0B, MB557G5S0B and MB535A0S0B

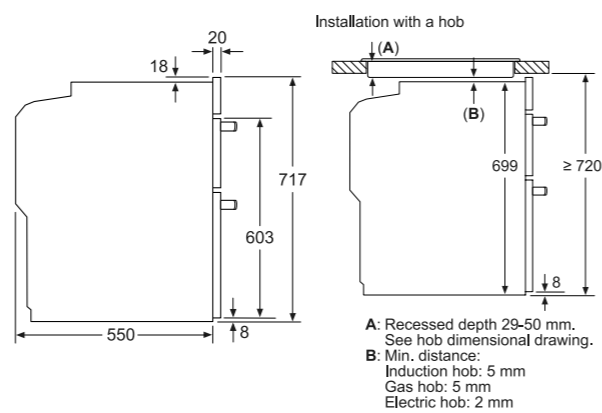


Built-under double ovens NB535ABS0B

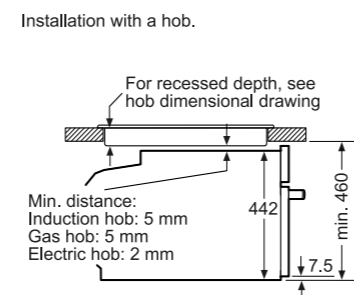
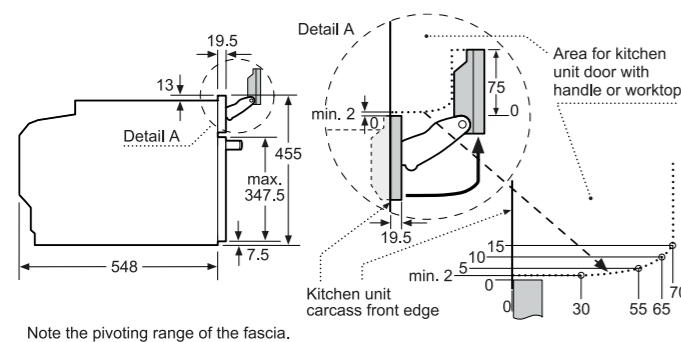
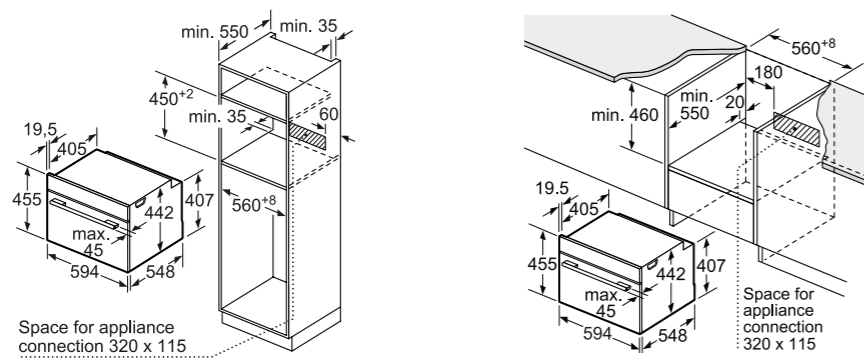


If the appliance will be installed underneath a hob, the following worktop thicknesses (including substructure if necessary) must be taken into account.

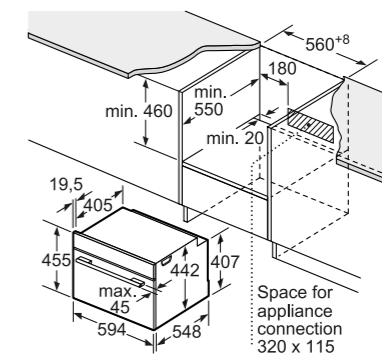
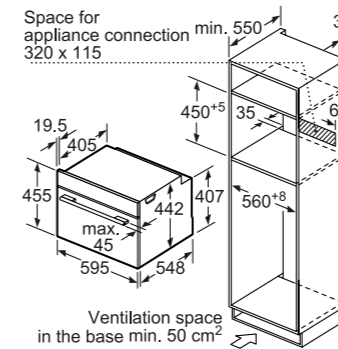
Hob type	min. worktop thickness	
	fitted	flush
Induction hob	39 mm	40 mm
Full surface induction hob	49 mm	50 mm
Gas hob	29 mm	36 mm
Electric hob	29 mm	32 mm



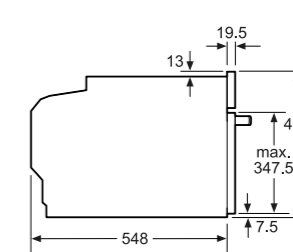
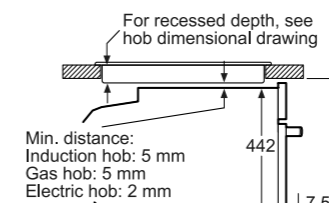
Compact ovens, compact steamers and compact microwave ovens CN878G4B6B, CM878G4B6B, CM676GBS6B, CM656GBS6B, CS858GRB7B, CS656GBS7B, CM633GBS1B and CD634GAS0B



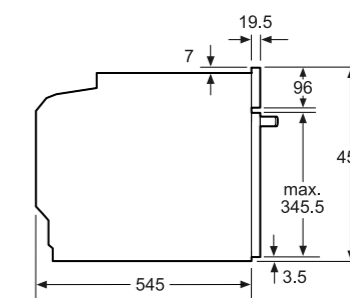
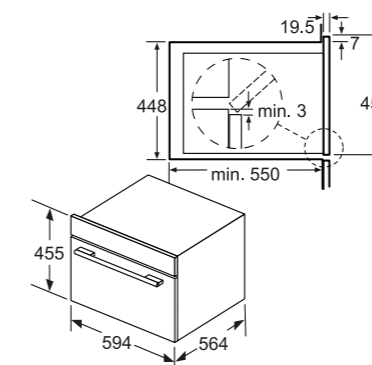
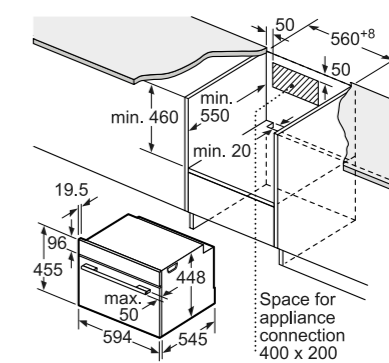
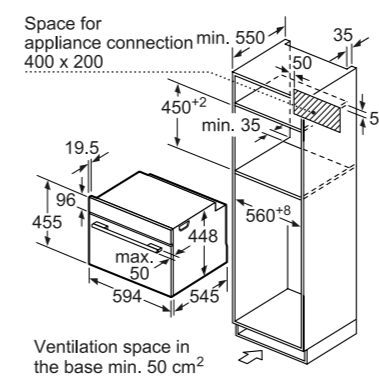
Compact oven CM678G4S6B



Installation with a hob.

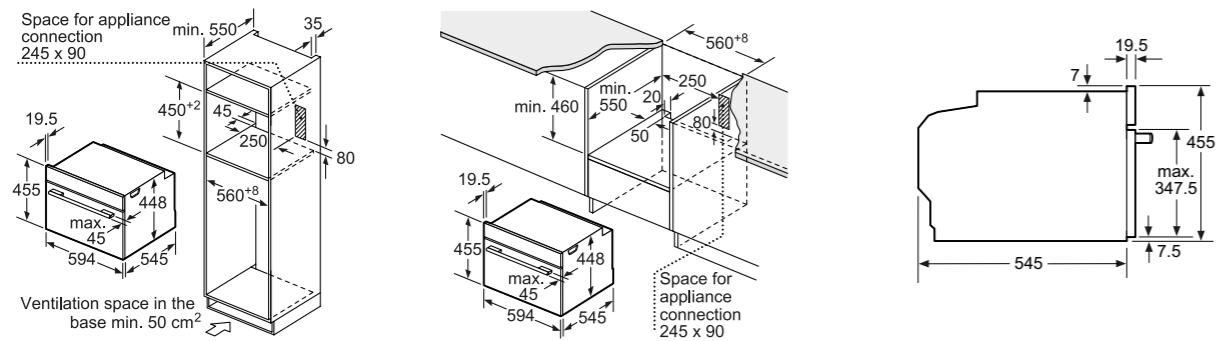


Compact microwave combination with steam CP465AGB0B, CP565AGS0B

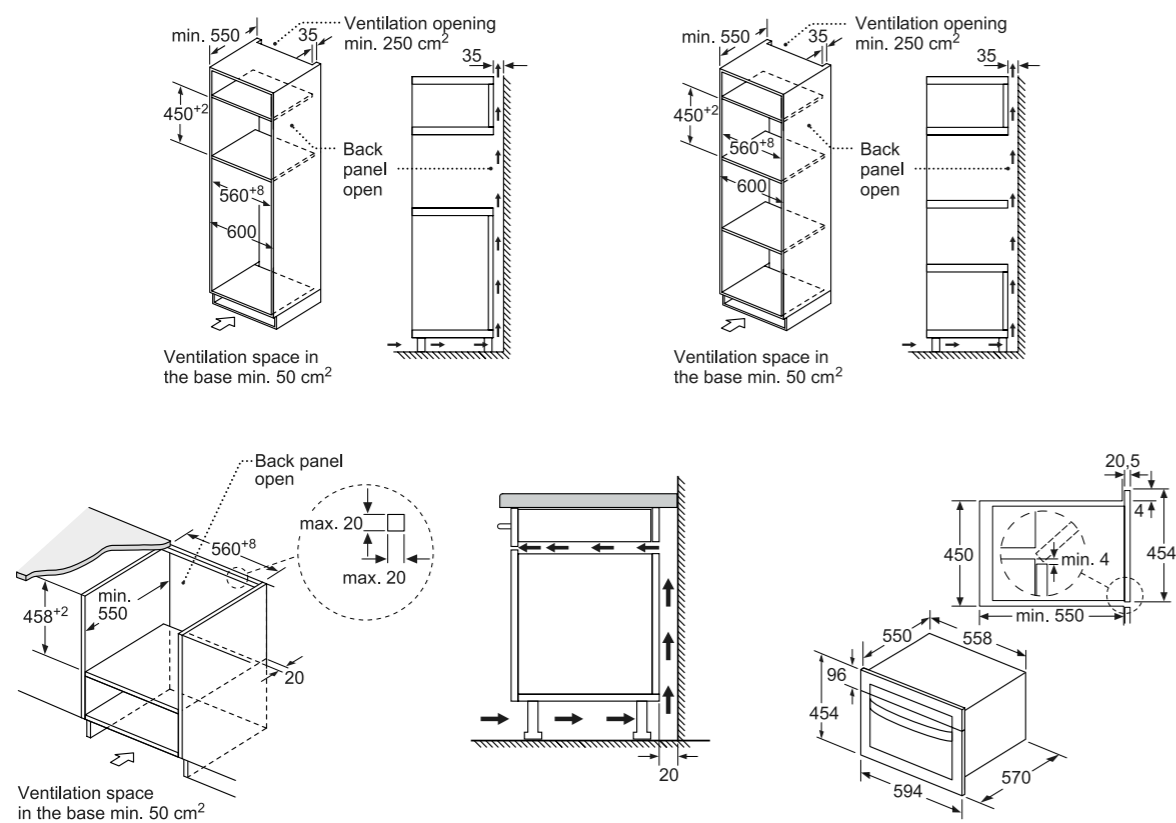


Oven technical diagrams

Microwave oven CF634AGS1B

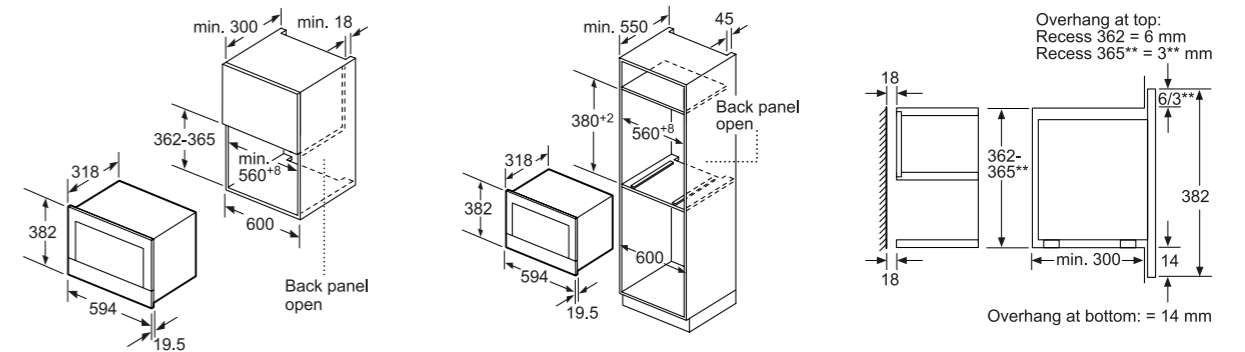


Compact microwave combination CM585AMS0B

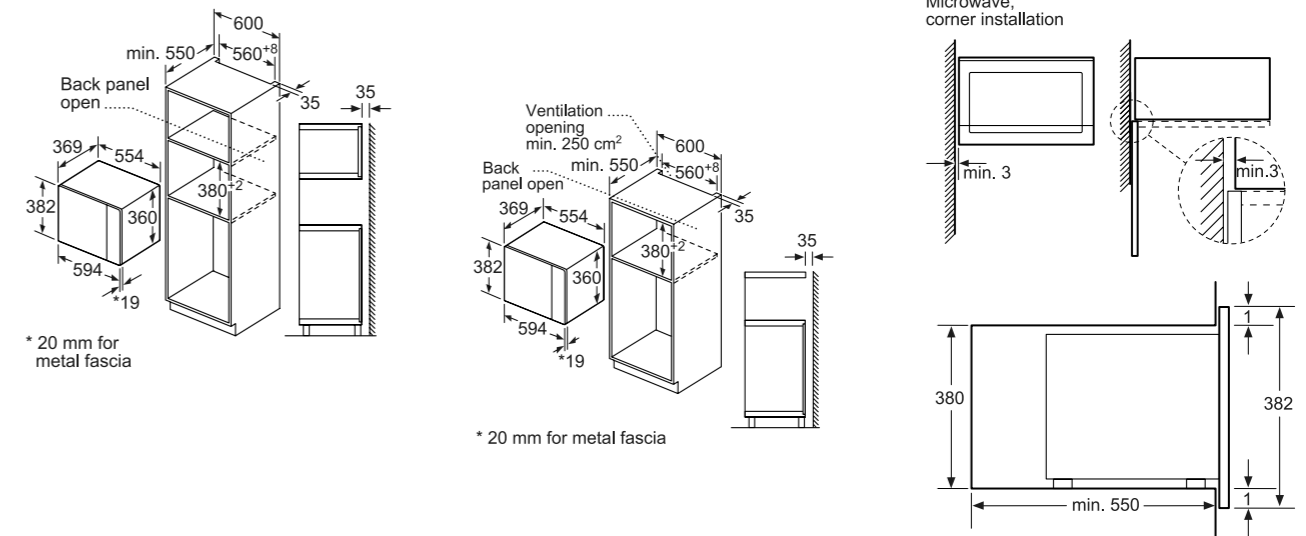


Microwave oven technical diagrams

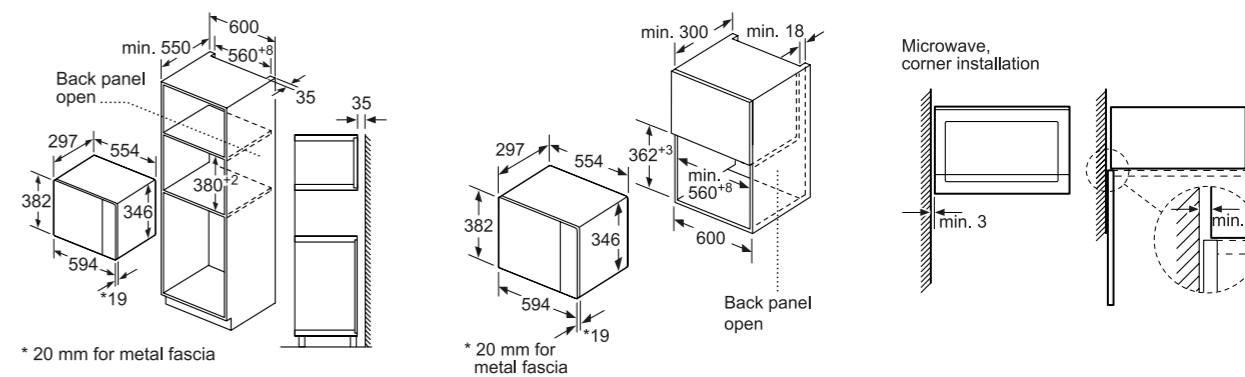
Microwaves BE634LGS1B and BF634LGS1B



Microwave BF555LMS0B

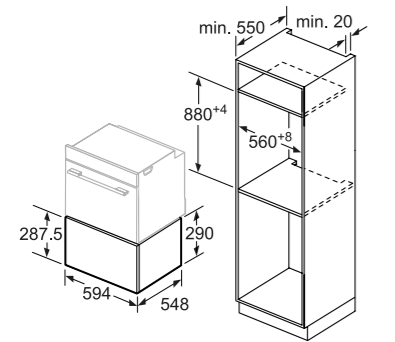


Microwave BF525LMS0B

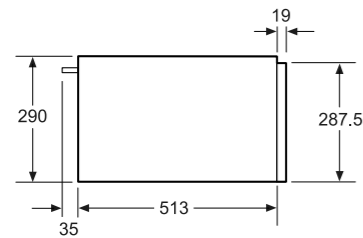
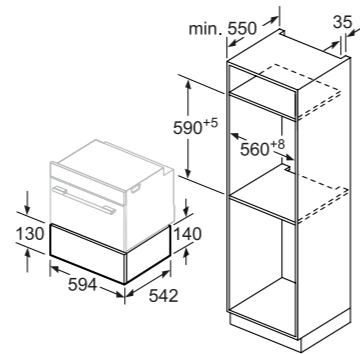


Warming drawer technical diagrams

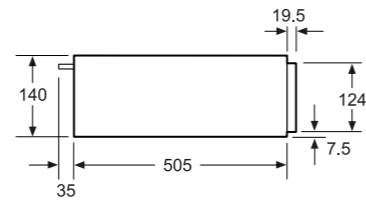
Warming drawer BI630DNS1B



Warming drawer BV830ENB1B

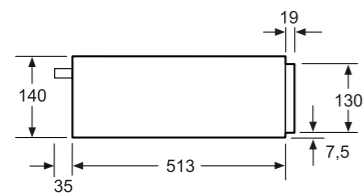
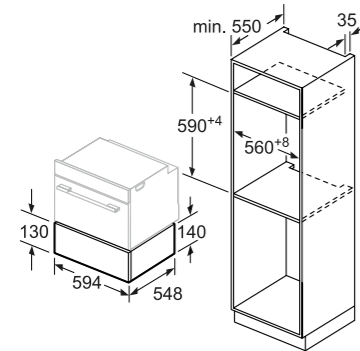


Ovens with an appliance height of 595 mm can be installed above a warming drawer. An intermediate floor is not required.



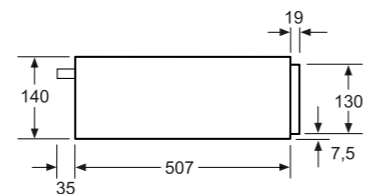
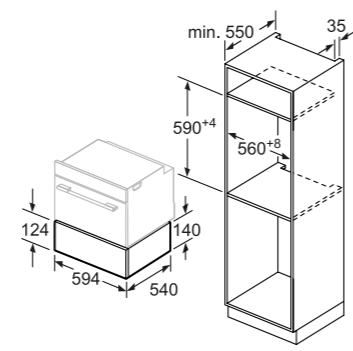
Compact ovens with an appliance height of 455 mm can be installed above a warming drawer. An intermediate floor is not required.

Warming drawers BI830CNB1B and BI630CNS1B



Ovens with an appliance height of 595 mm can be installed above a warming drawer. An intermediate floor is not required.

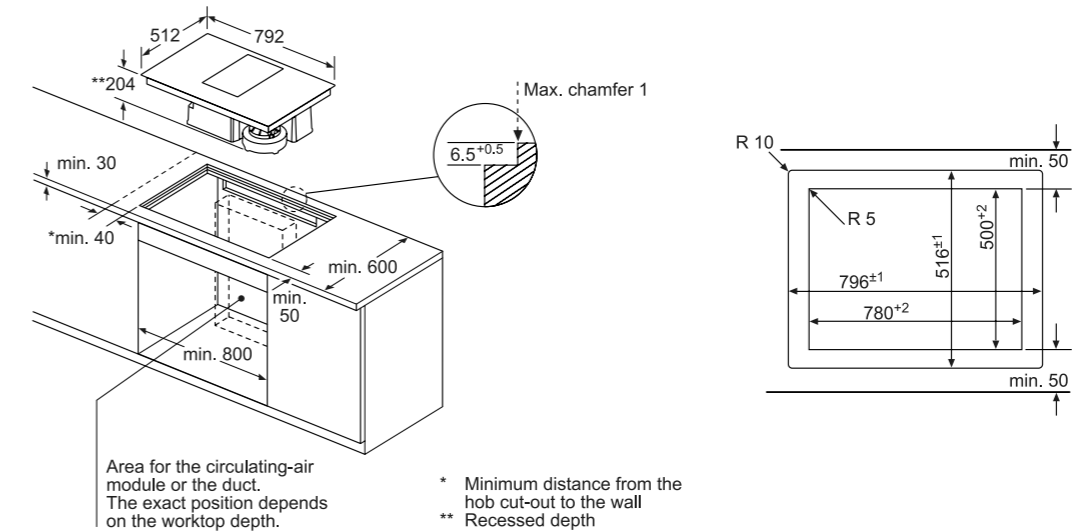
Warming drawer BI510CNR0B



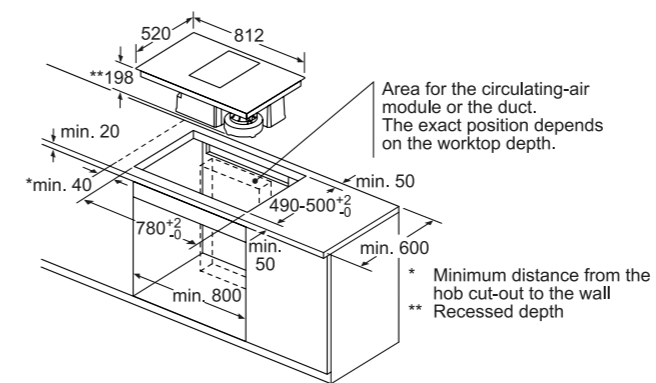
Compact ovens with an appliance height of 455 mm can be installed above a warming drawer. An intermediate floor is not required.

Hob technical diagrams

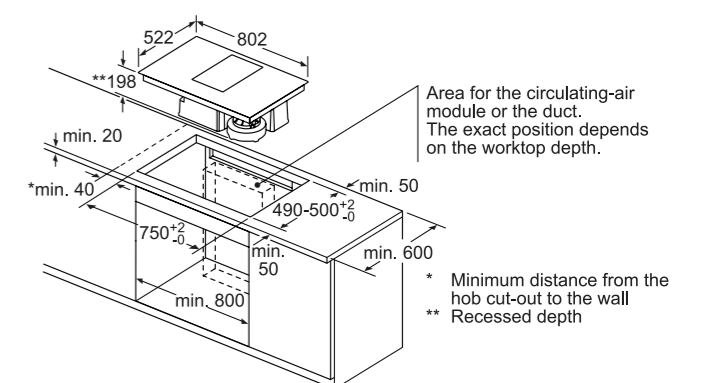
Venting hob EX807LX33E



Venting hob EX875LX34E

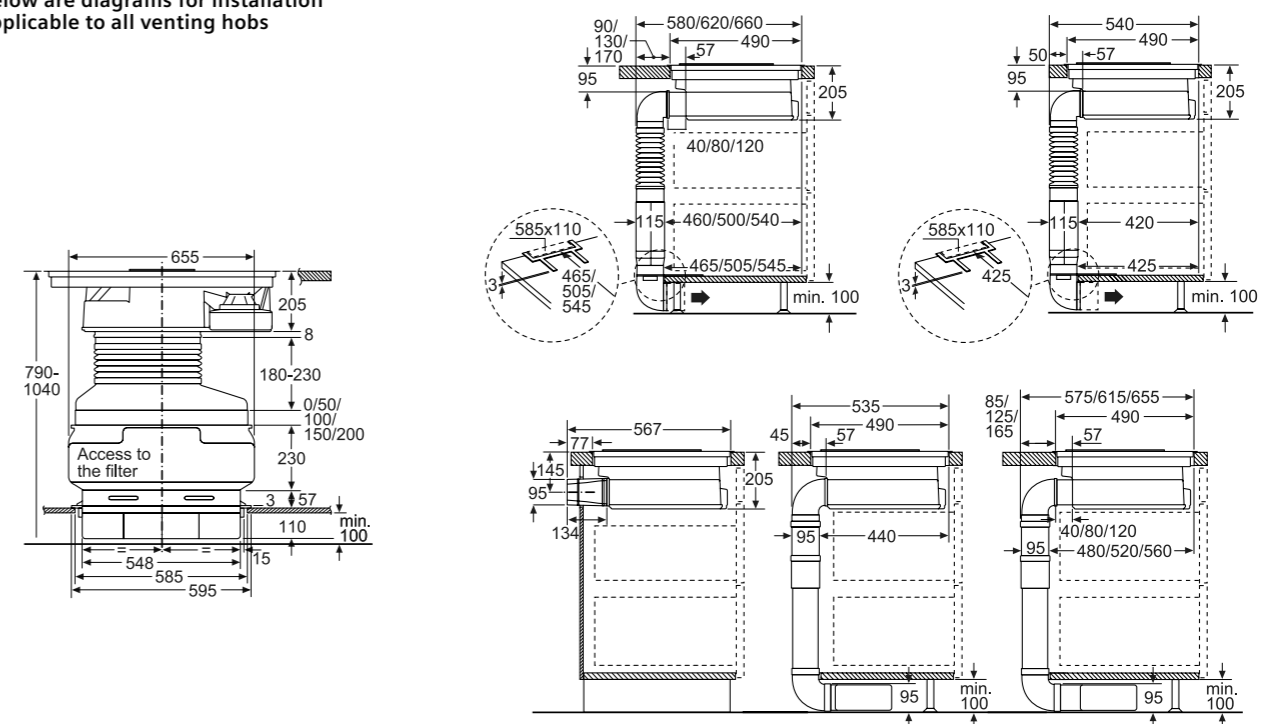


Venting hob ED851FS11E



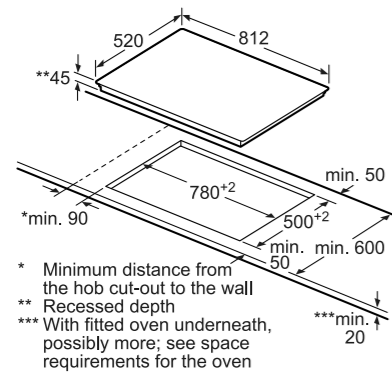
For all venting hobs

Below are diagrams for installation applicable to all venting hobs

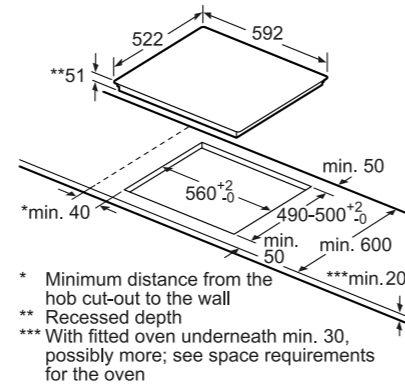


Hob technical diagrams

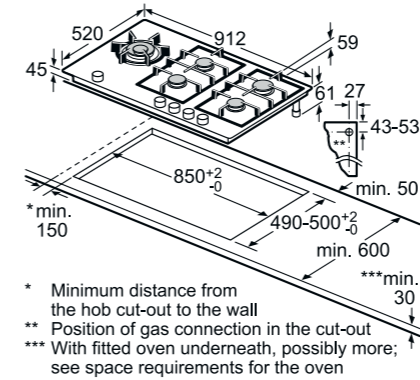
quickLite ceramic hob ET875FCP1D



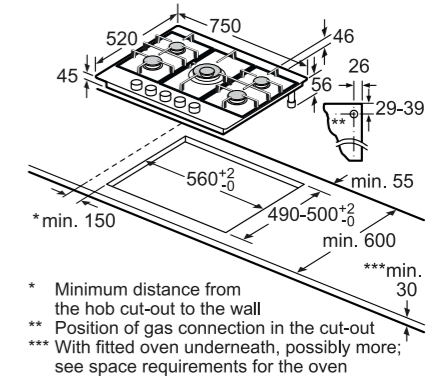
quickLite hob ET651HE17E



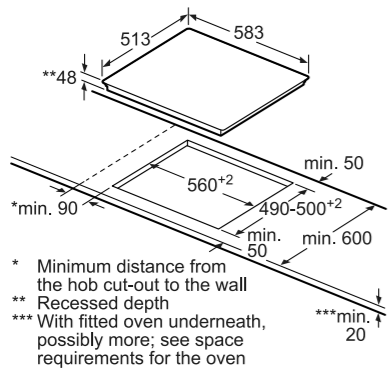
Gas hob ER9A6SD70



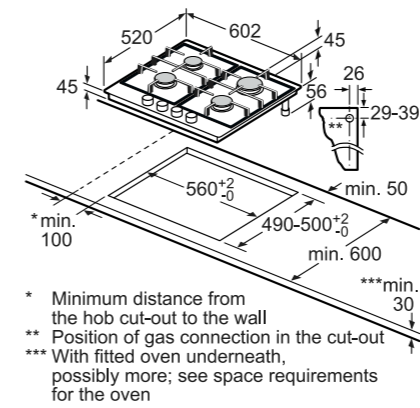
Gas hob ER7A6RD70



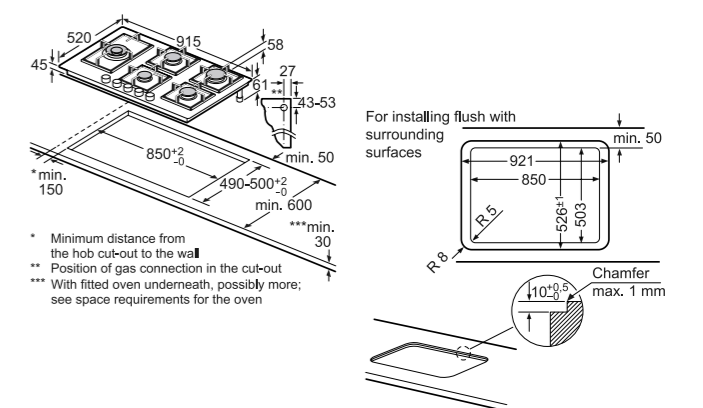
quickLite ceramic hob ET645CEA1E



Gas hob ER6A6PD70

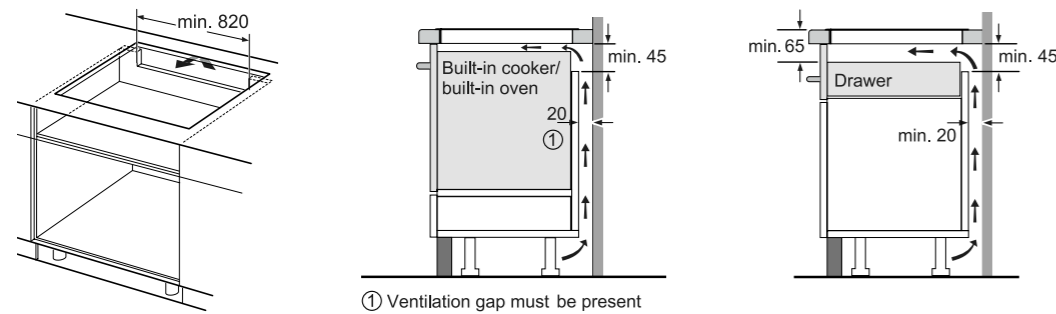


Gas hob EP9A6SB90

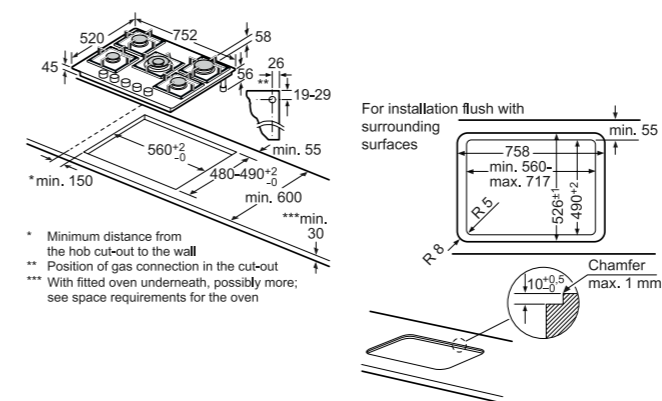


For all flexInduction, induction and quickLite ceramic hobs

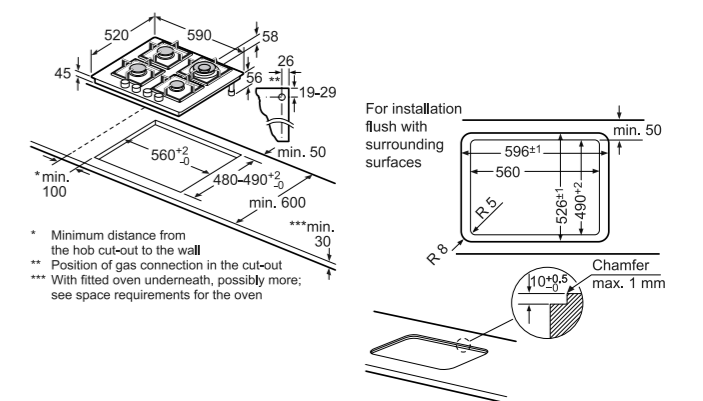
Below are diagrams for installation applicable to all flexInduction, induction and quickLite ceramic hobs



Gas hob EP7A6QB90

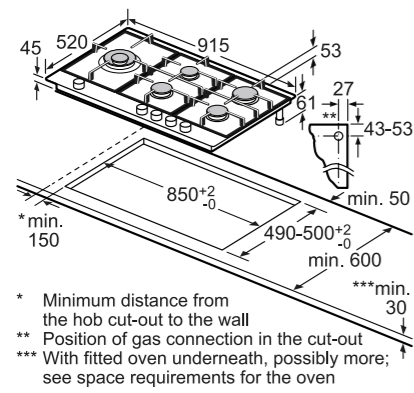


Gas hob EP6A6HB20

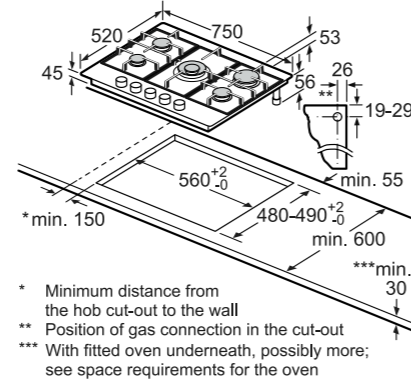


Hob technical diagrams

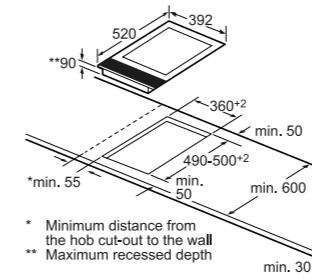
Gas hob EC9A5SB90



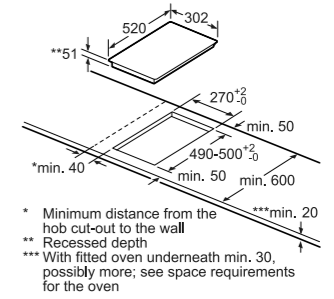
Gas hobs EC7A5RB90, EC7A5QB90 and EG7B5QB90



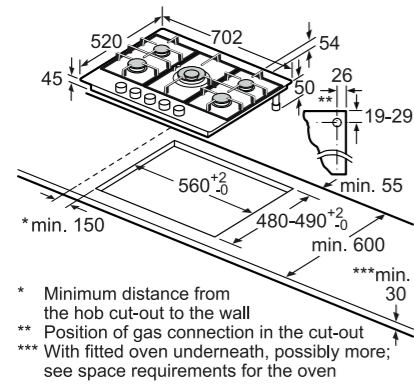
Teppan yaki domino hob ET475FYB1E



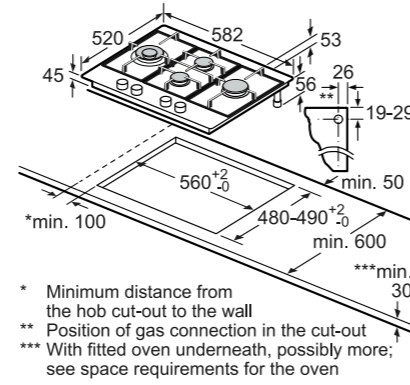
flexInduction domino hob EX375FXB1E



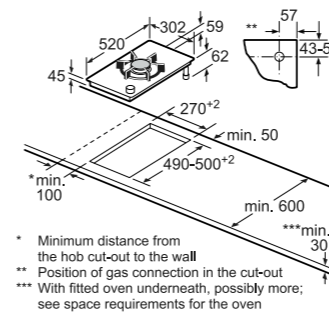
Gas hob EC715RB90E



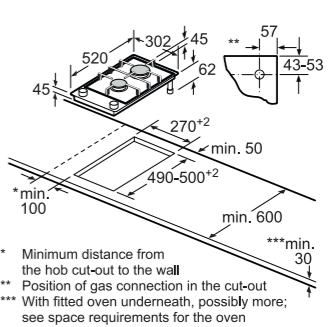
Gas hobs EC6A5IB90, EC6A5HC90, EC6A5PB90, EG6B5HB60 and EG6B5PB60



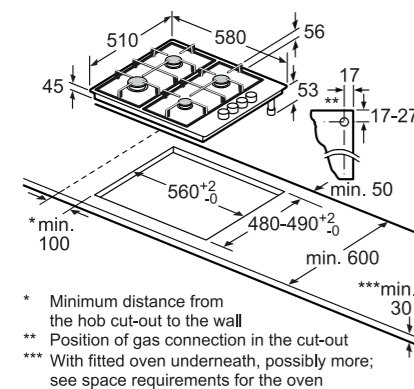
Wok domino gas hob ER3A6AD70



Domino gas hob ER3A6BD70

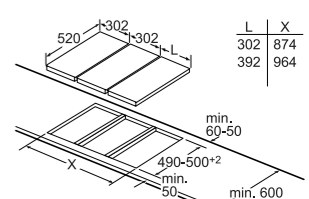
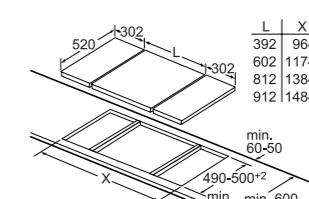
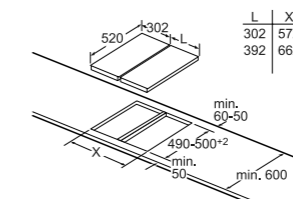
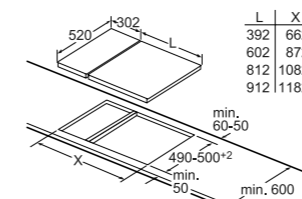


Gas hobs EB6B5HB60 and EB6B5PB60



Domino hob combination installation

Below are diagrams showing the possible combinations for installing your Domino hob



When installing a Domino unit right next to a hob, an assembly kit (HZ394301) is required.

When installing two or more Domino units side-by-side, one or more assembly kits are required (2 units = 1 assembly kit, 3 units = 2 assembly kits, etc.).

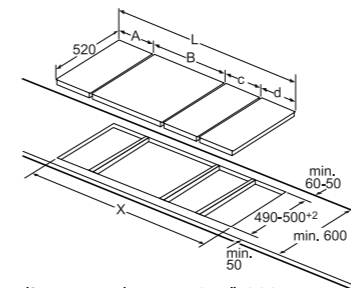
When installing two Domino units right next to a hob, two assembly kits (HZ394301) are required.

When installing two or more Domino units side-by-side, one or more assembly kits are required (2 units = 1 assembly kit, 3 units = 2 assembly kits, etc.).

Domino combination possibilities with corresponding device and cutout dimensions

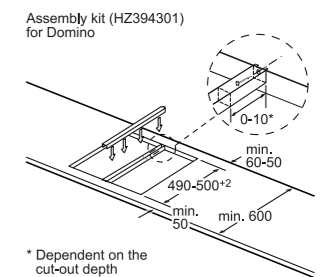
Width type: 30 40 60 70 80 90
Device width: 302 392 602 710 812 912

	A	B	C	D	L	X
2x30						
1x30, 1x40					604	572
1x30, 1x60					694	662
1x30, 1x70					904	872
1x30, 1x80					1012	980
1x30, 1x80					1114	1082
1x30, 1x90					1214	1182
2x40					784	752
1x40, 1x60					994	962
1x40, 1x70					1102	1070
1x40, 1x80					1204	1172
1x40, 1x90					1304	1272
3x30					906	874
2x30, 1x40					996	964
2x30, 1x60					1206	1174
2x30, 1x70					1314	1282
2x30, 1x80					1416	1384
2x30, 1x90					1516	1484
1x30, 2x40					1086	1054
1x30, 1x40, 1x60					1296	1264
1x30, 1x40, 1x70					1404	1372
1x30, 1x40, 1x80					1506	1474
1x30, 1x40, 1x90					1606	1574
3x40					1176	1144
2x40, 1x60					1386	1354
4x30					1208	1176
3x30, 1x40					1298	1266
2x30, 2x40					1388	1356
1x30, 3x40					1478	1446



If two or more elements are installed right next to one another, one or several installation kits are required (2 elements 1 installation kit, 3 elements 2 installation kits, etc.).

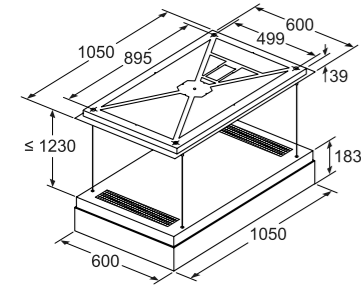
Cutout dimension (X) depending on the combination see table:



* Dependent on the cut-out depth

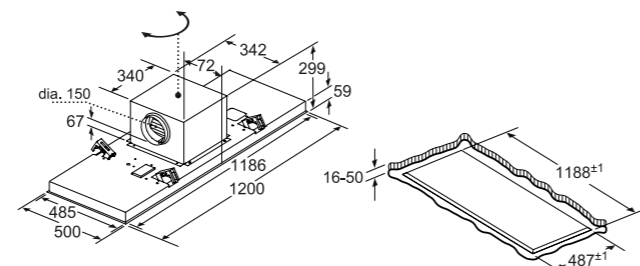
Hood technical diagrams

Ceiling hood LR18HLT25



Ceiling hood LR29CQS25B

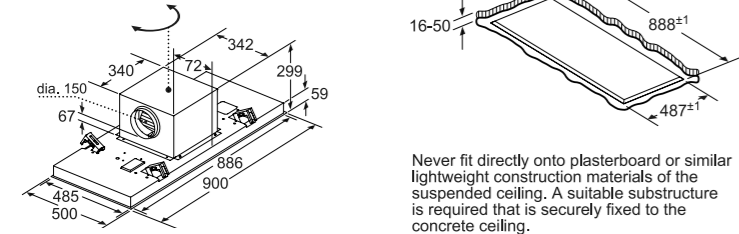
The fan outlet can be turned in all four directions



Never fit directly onto plasterboard or similar lightweight construction materials of the suspended ceiling. A suitable substructure is required that is securely fixed to the concrete ceiling.

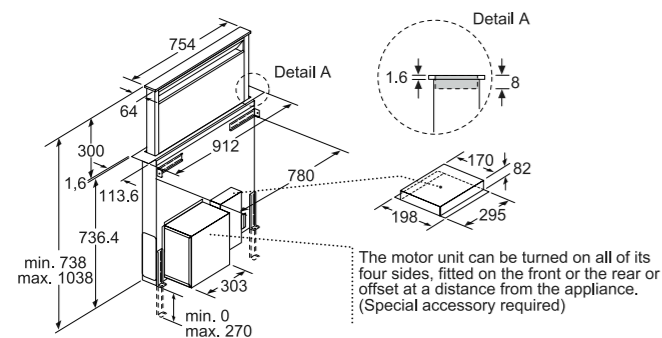
Ceiling hood LR99CQS25B, LR97CBS25B and LR97CAQ50B

The fan outlet can be turned in all four directions

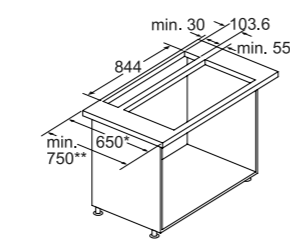


Never fit directly onto plasterboard or similar lightweight construction materials of the suspended ceiling. A suitable substructure is required that is securely fixed to the concrete ceiling.

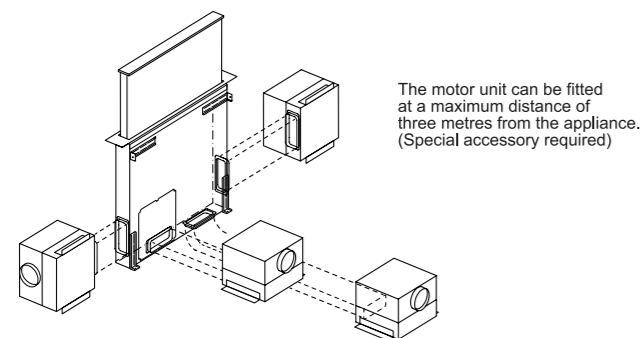
downDraft hoods LD97DBM60B and LD97DBM69B



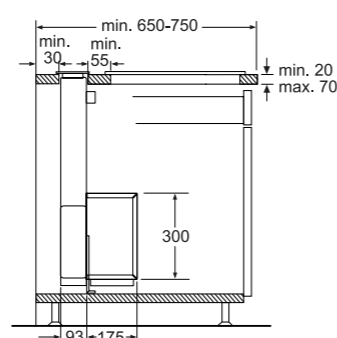
The motor unit can be turned on all of its four sides, fitted on the front or the rear or offset at a distance from the appliance. (Special accessory required)



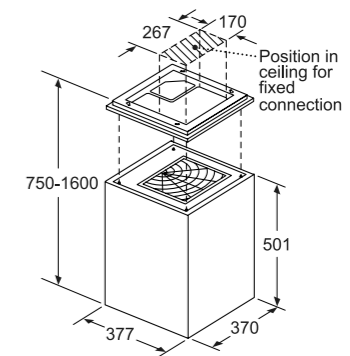
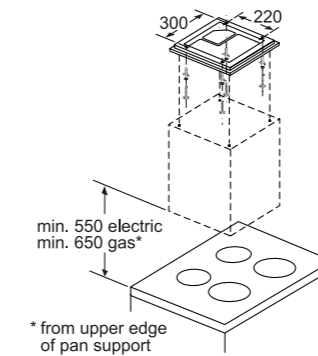
Use with gas hob only possible in air extraction mode. Maximum total power 13.4 kW
* 650 mm depth only in combination with slim hobs.
** min. 750 mm for hobs with 500 mm cut-out depth.



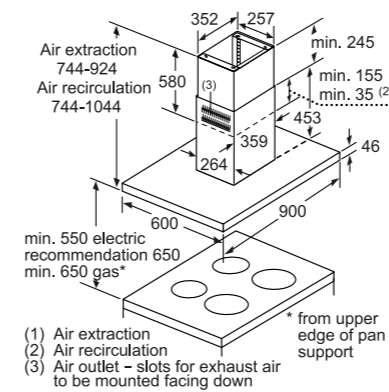
The motor unit can be fitted at a maximum distance of three metres from the appliance. (Special accessory required)



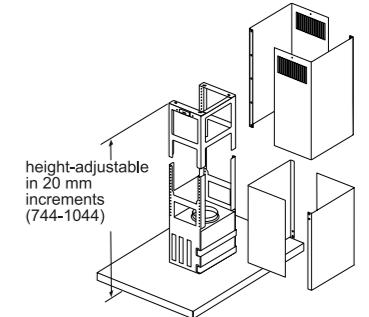
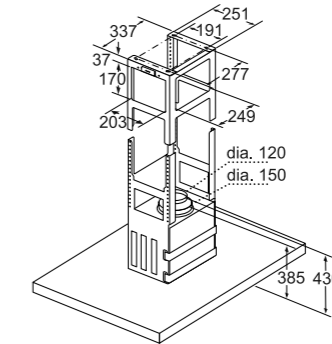
Island cube hood LF311VV60



Island chimney hood LF91BUV50B

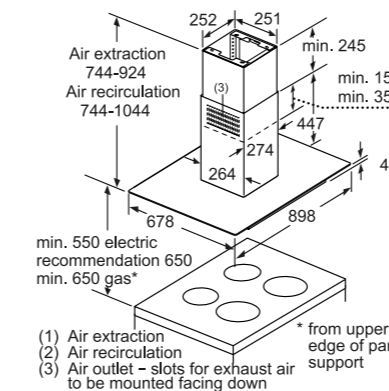


(1) Air extraction
(2) Air recirculation
(3) Air outlet - slots for exhaust air to be mounted facing down

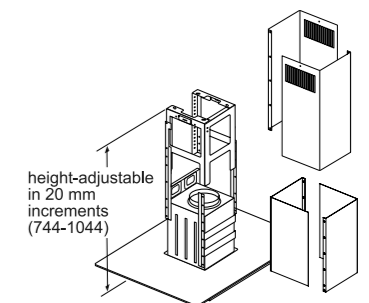
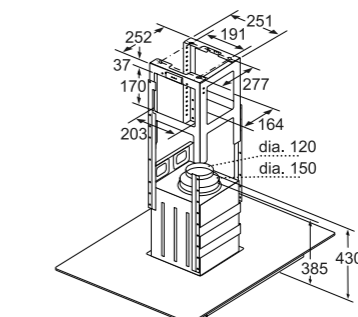


height-adjustable in 20 mm increments (744-1044)

Island chimney hood LF97GBM50B



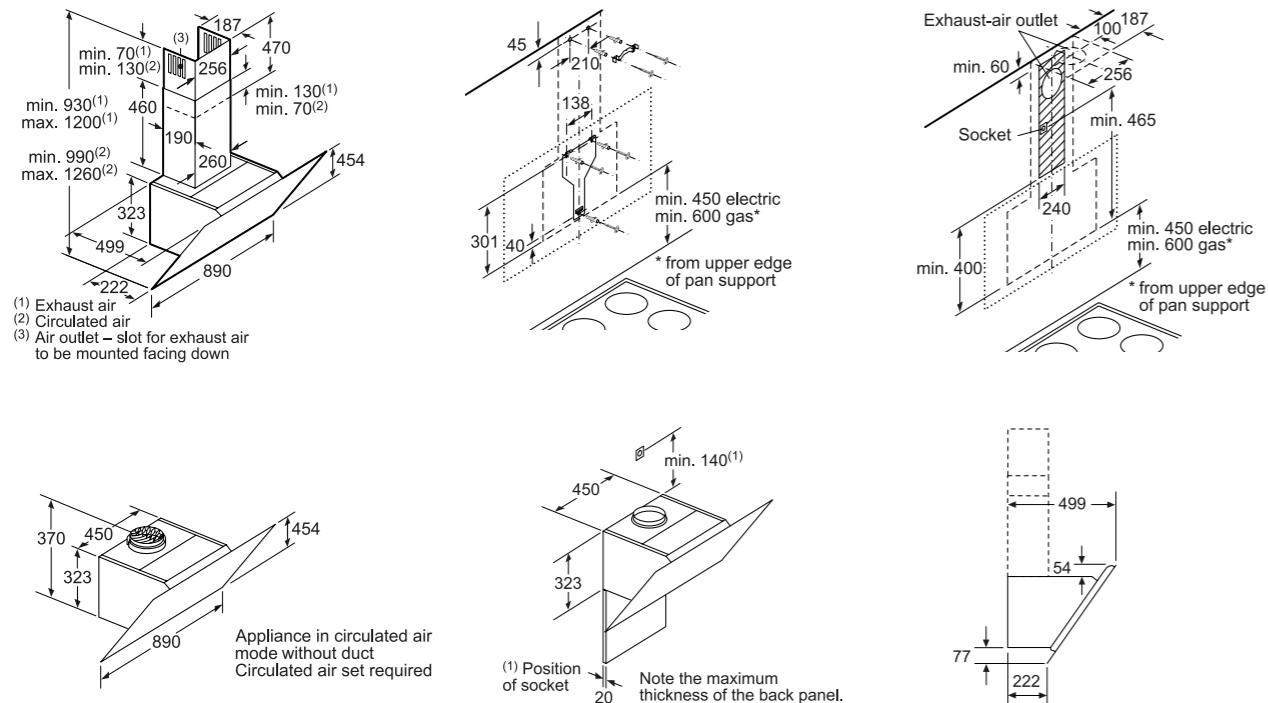
(1) Air extraction
(2) Air recirculation
(3) Air outlet - slots for exhaust air to be mounted facing down



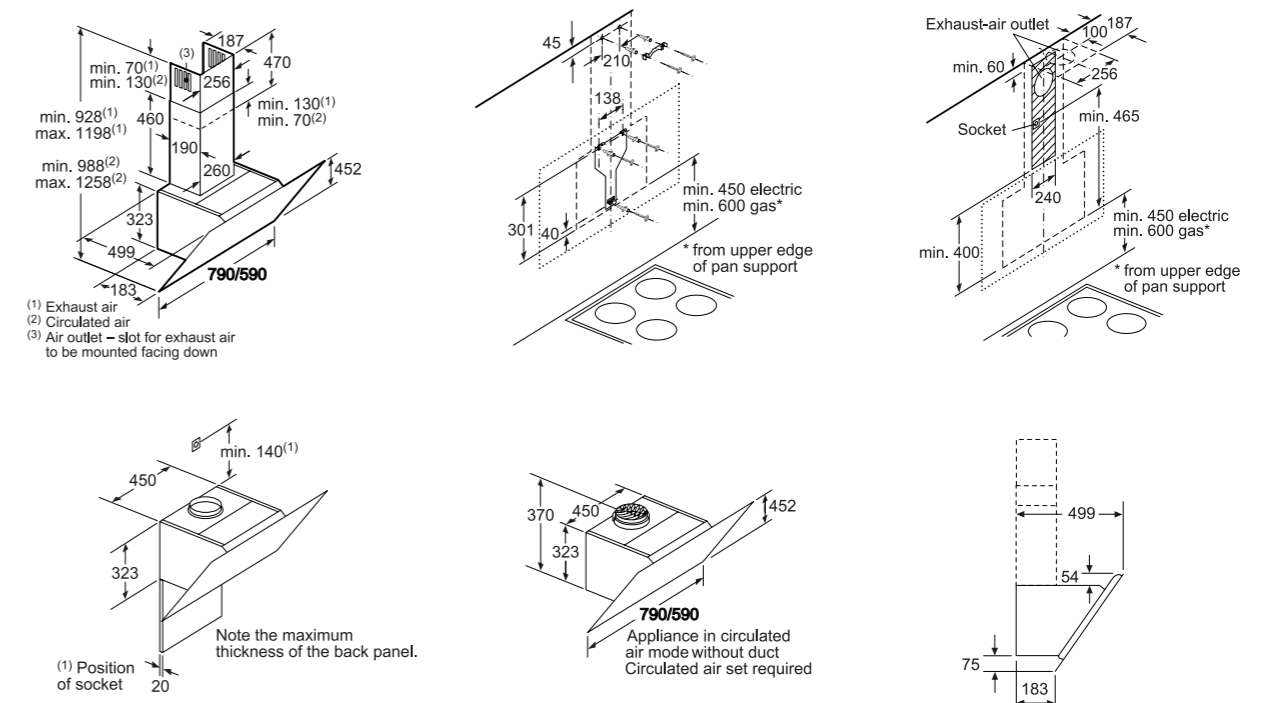
height-adjustable in 20 mm increments (744-1044)

Hood technical diagrams

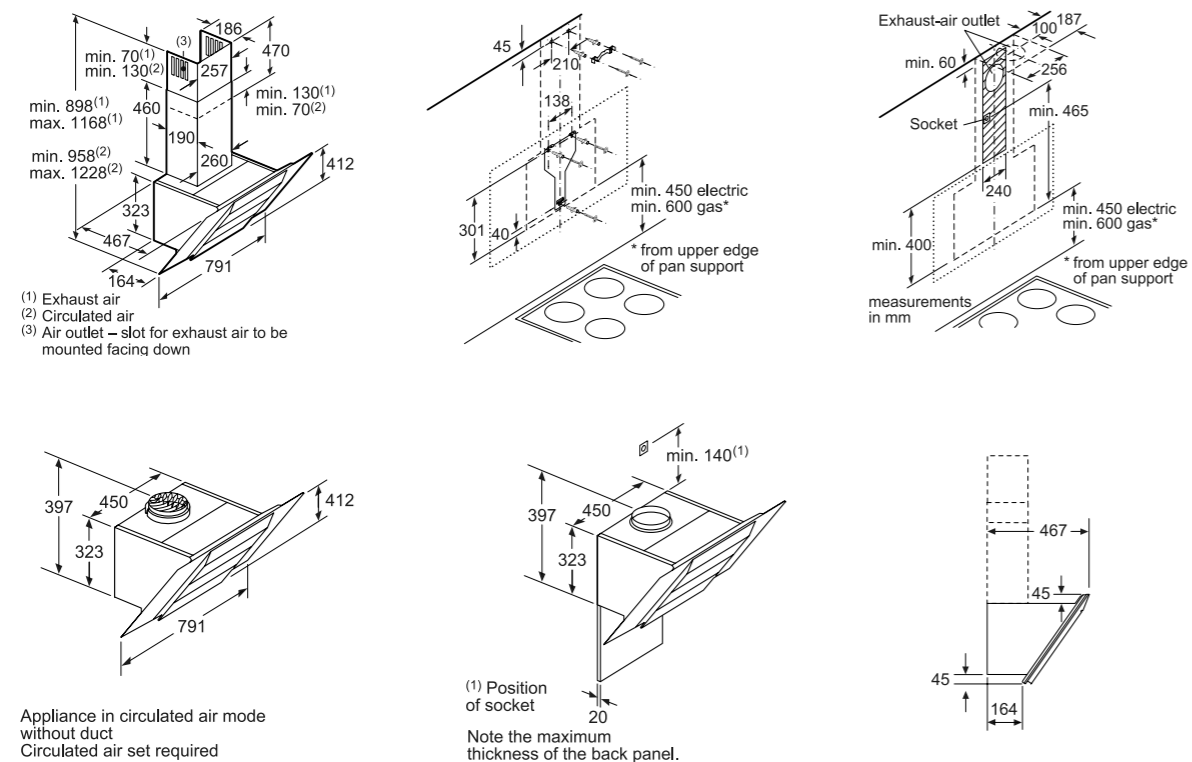
Angled chimney hoods LC91KWW69B and LC91KWW60B



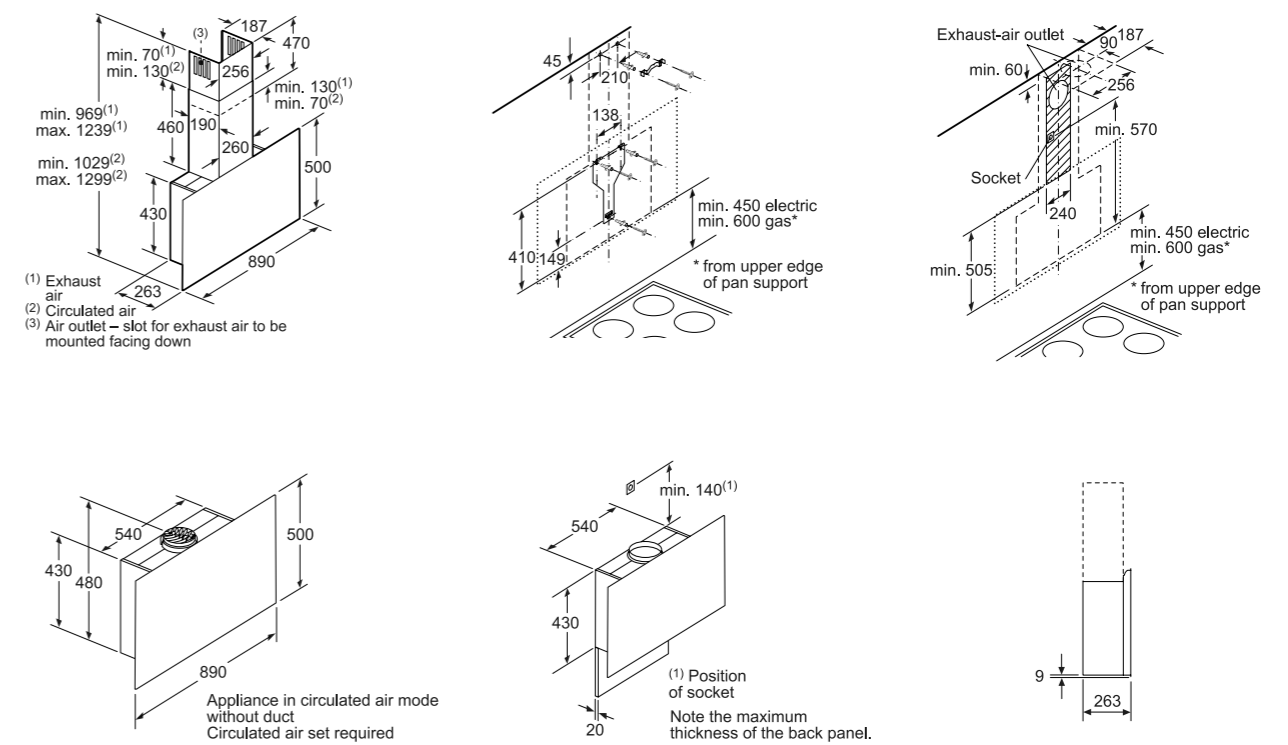
Angled chimney hoods LC87KHM60B and LC67KHM60B



Angled chimney hood LC87KBM60B

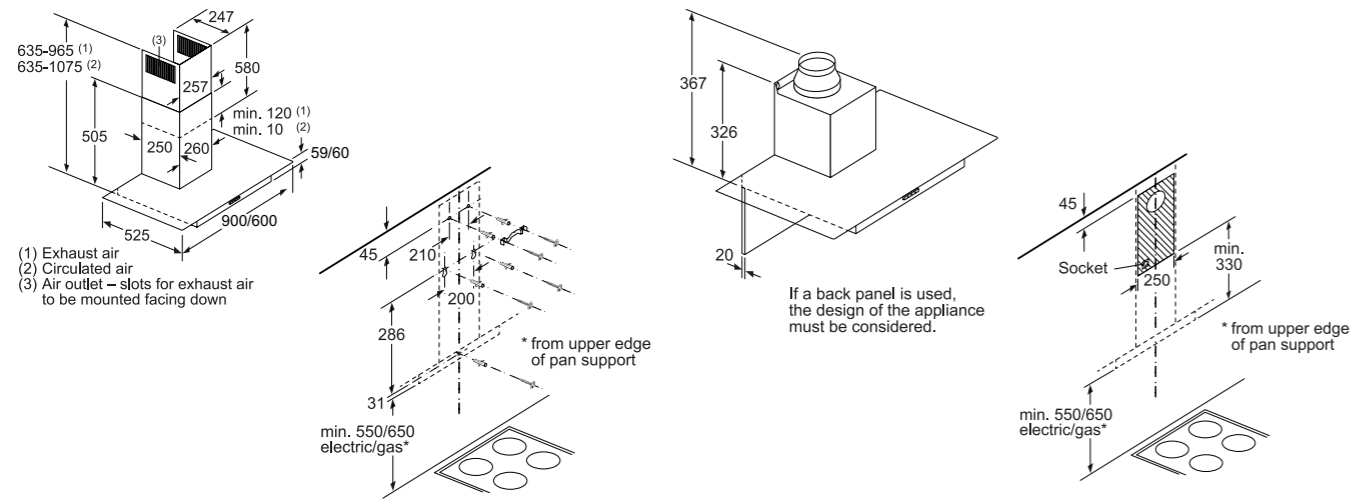


Flat chimney hood LC97FVW69B

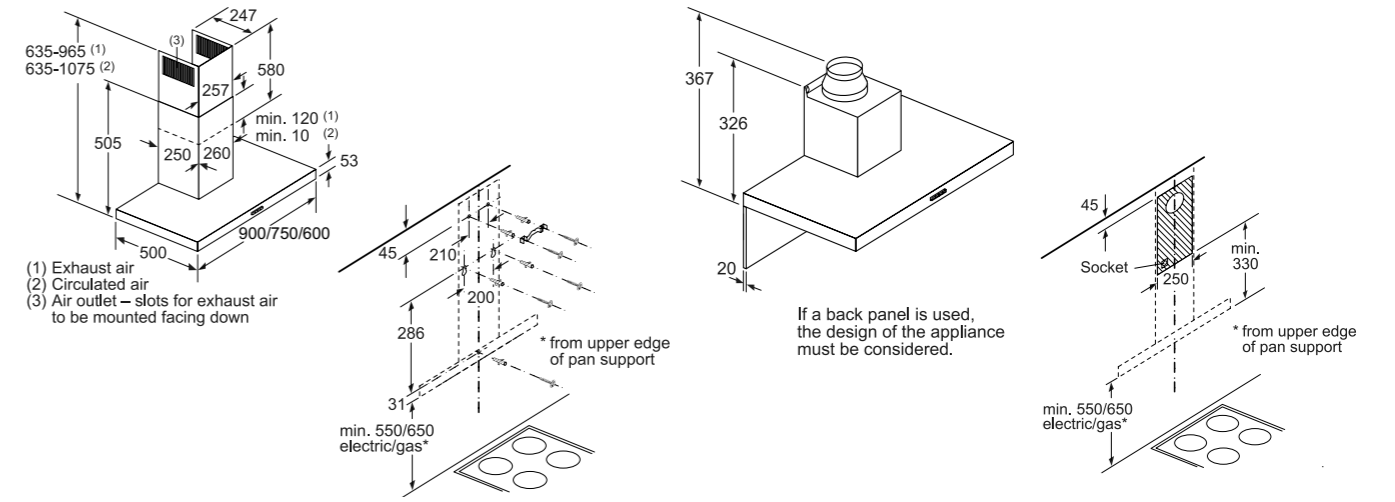


Hood technical diagrams

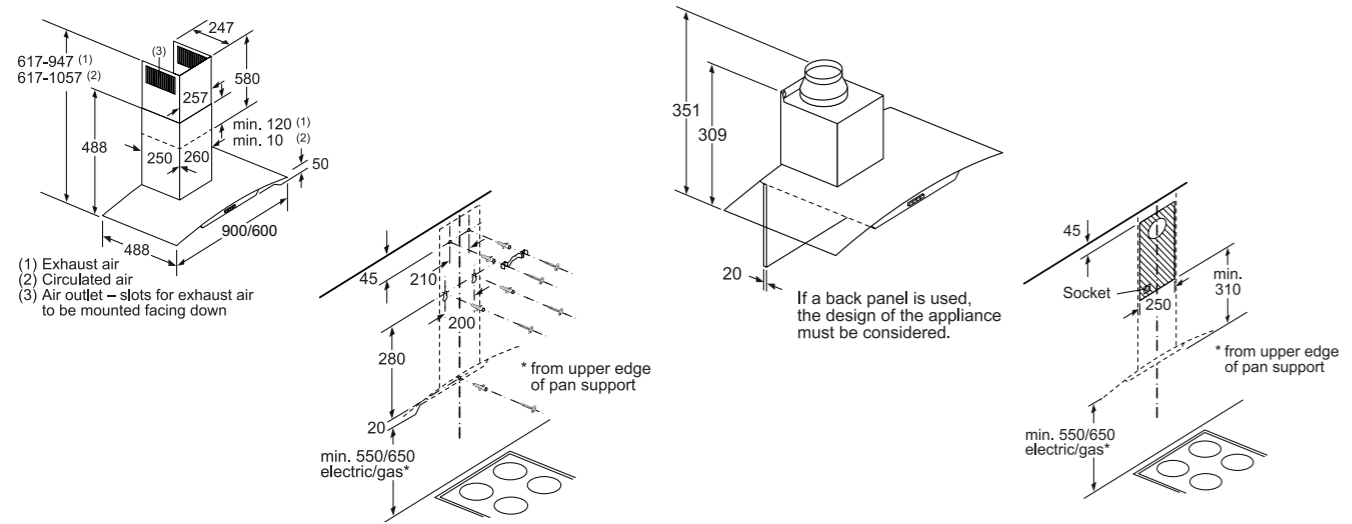
Straight glass chimney hoods LC97GHM50B and LC67GHM50B



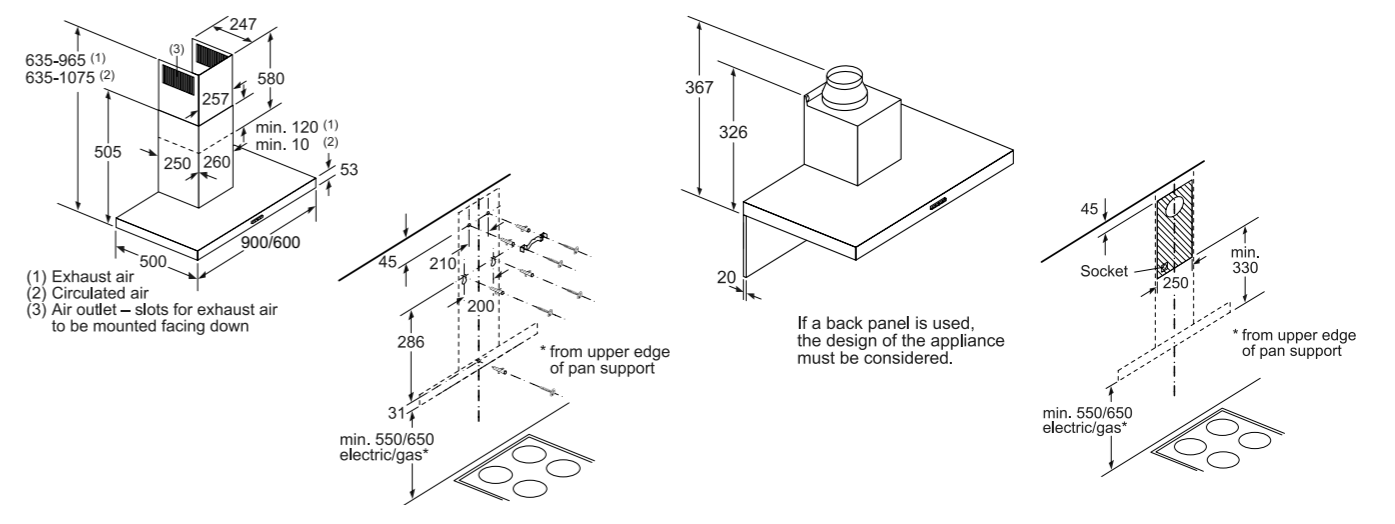
Box chimney hoods LC97BHM50B, LC77BHM50B and LC67BHM50B



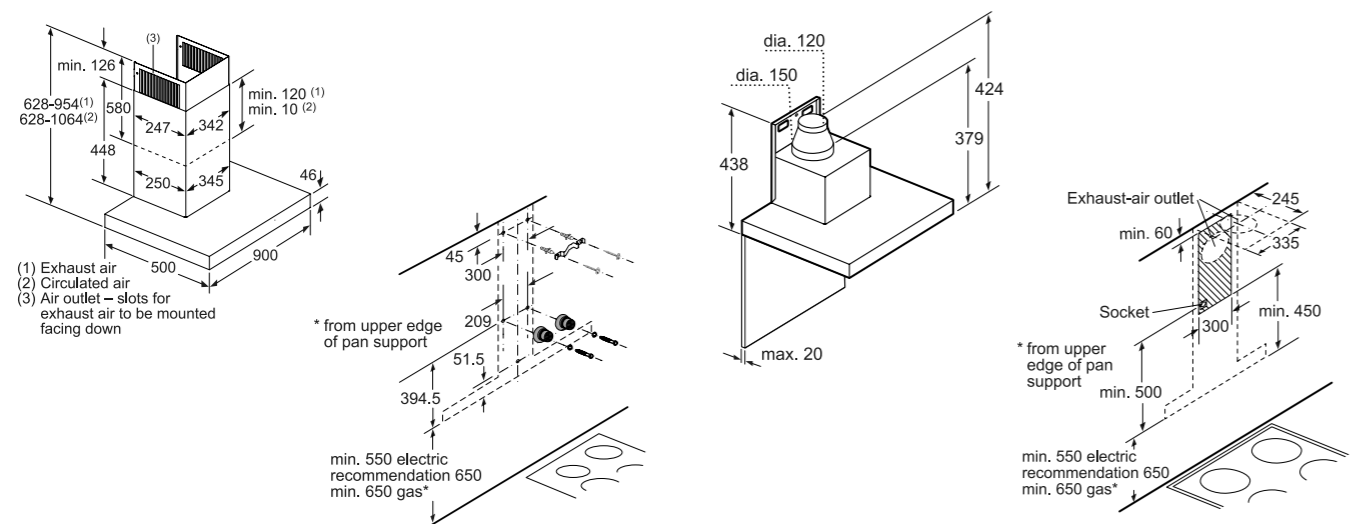
Curved glass chimney hoods LC97AFM50B and LC67AFM50B



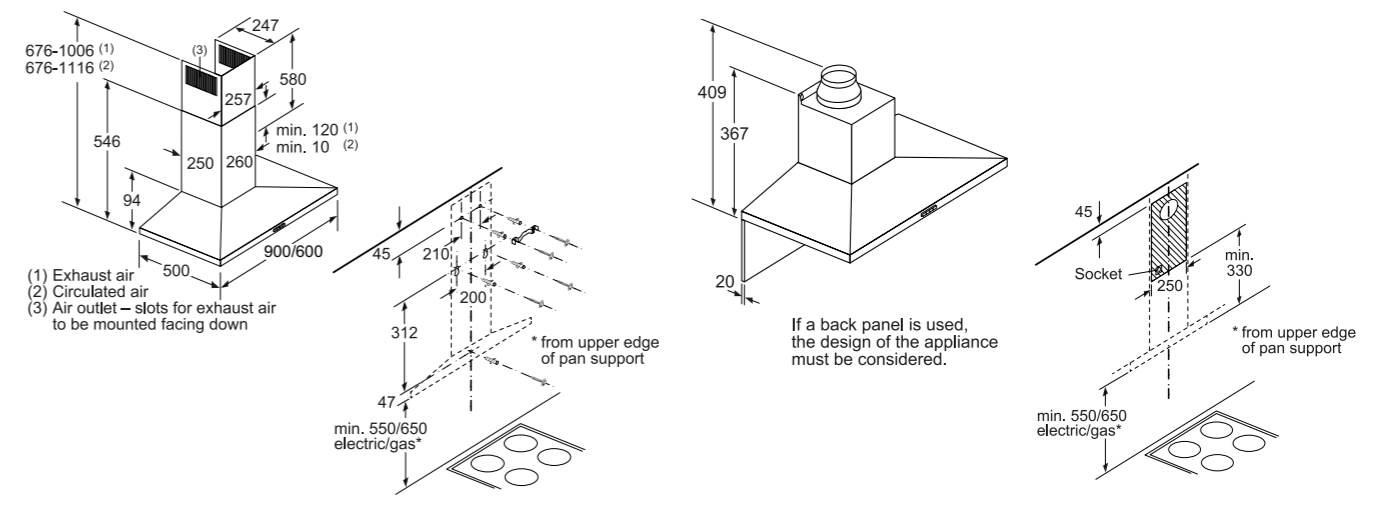
Box chimney hoods LC94BBC50B and LC64BBC50B



Box chimney hood LC91BUV50B

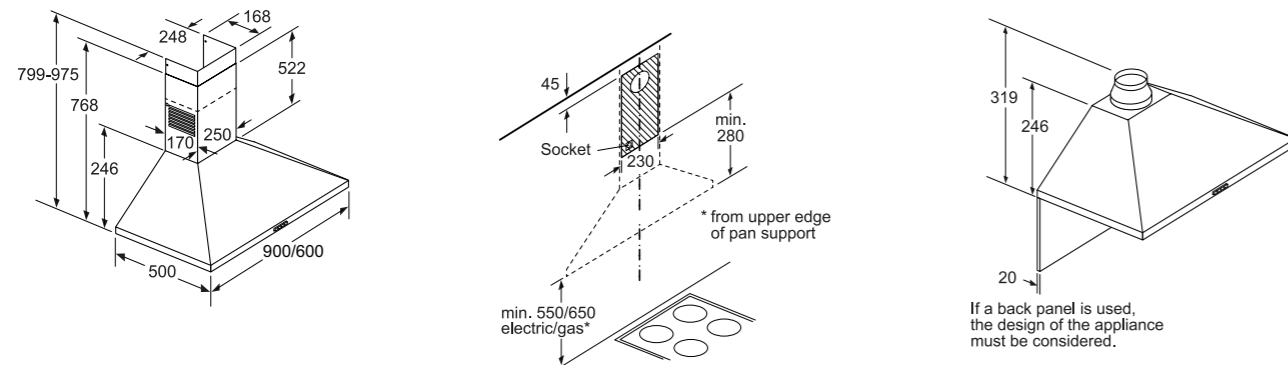


Slim pyramid chimney hoods LC97QFM50B and LC67QFM50B

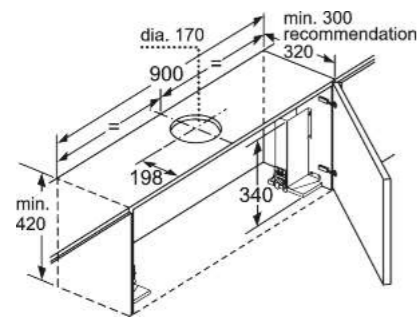
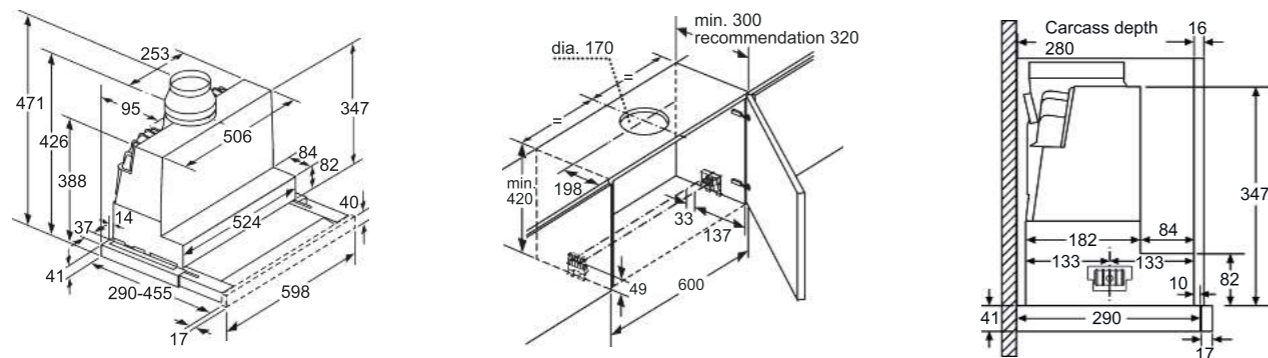


Hood technical diagrams

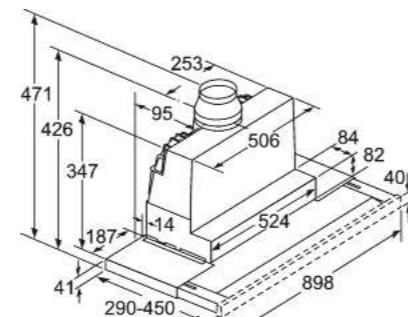
Pyramid chimney hoods LC94PBC50B and LC64PBC50B



Telescopic hoods LI97SA560B and LI67SA560B

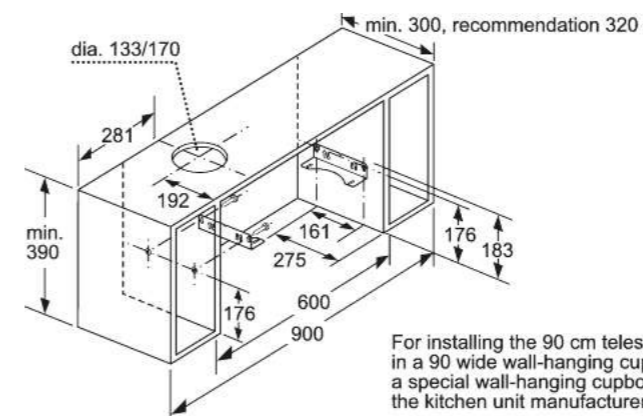
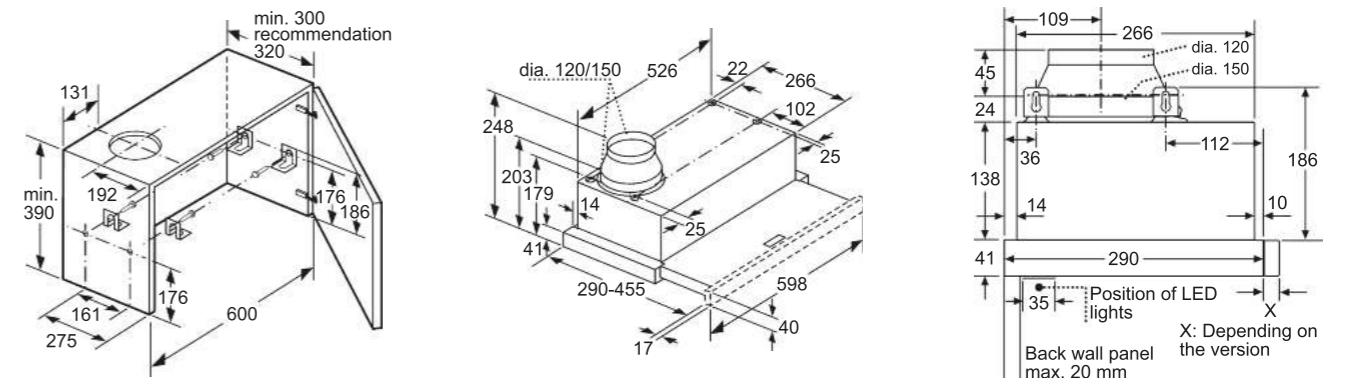


When installing the 90 cm telescopic hood in a 90 cm wide wall-hanging cupboard, a mounting kit is required. The two mounting brackets are screwed onto the left and right of the kitchen unit. Installation in accordance with template.

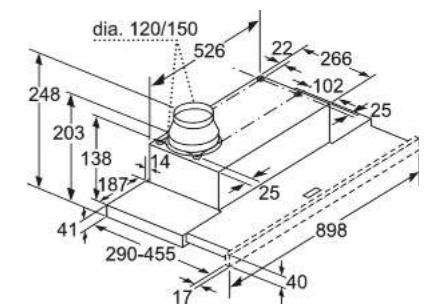


Depth of the filter drawer can be adjusted by up to 29 mm

Telescopic hoods LI94MA530B and LI64MA530B

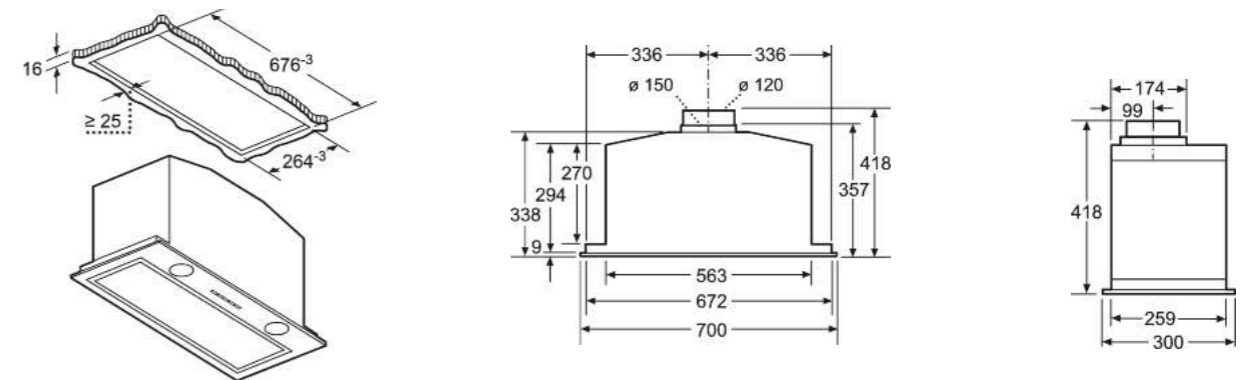


For installing the 90 cm telescopic hood in a 90 wide wall-hanging cupboard, a special wall-hanging cupboard from the kitchen unit manufacturer is required.

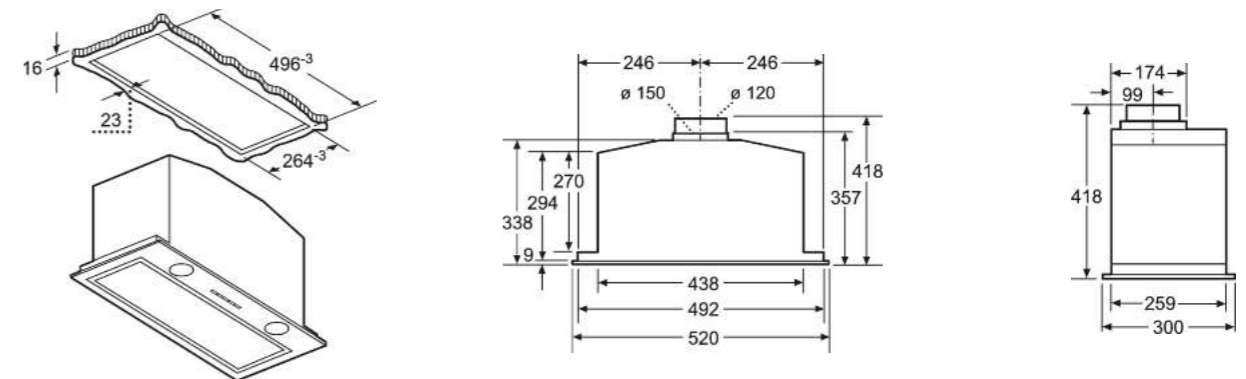


Depth of the filter drawer can be adjusted by up to 29 mm

Canopy hoods LB79585MGB and LB78574GB

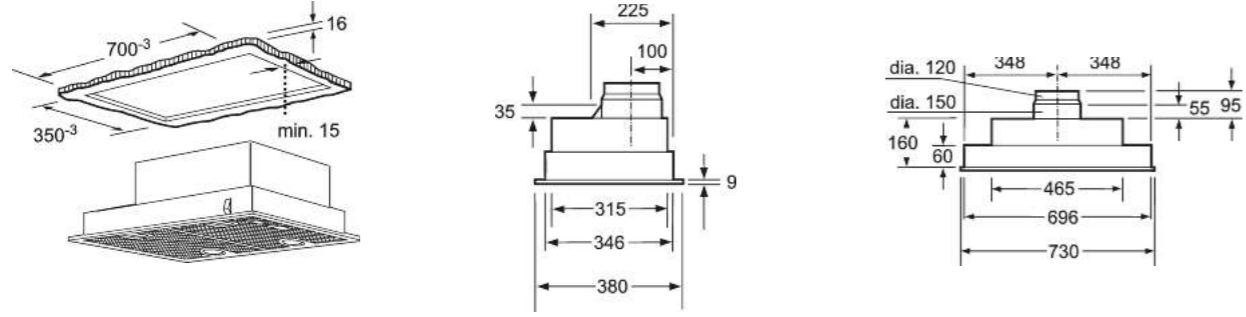


Canopy hood LB57574GB

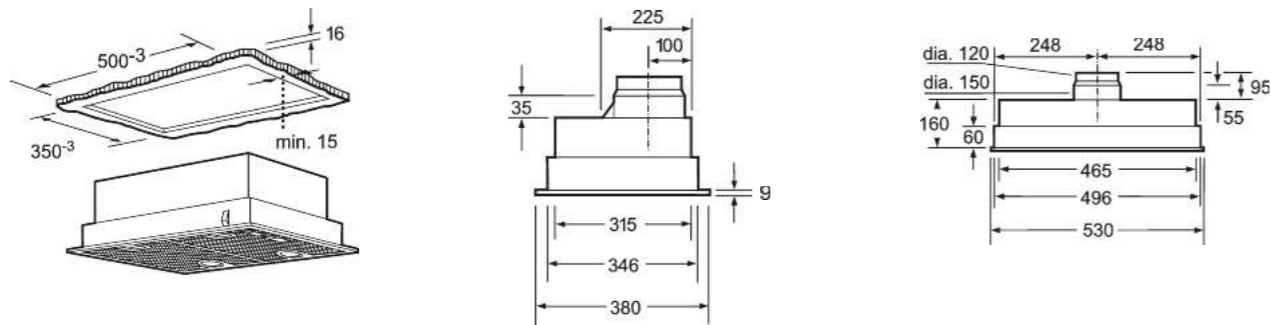


Hood technical diagrams

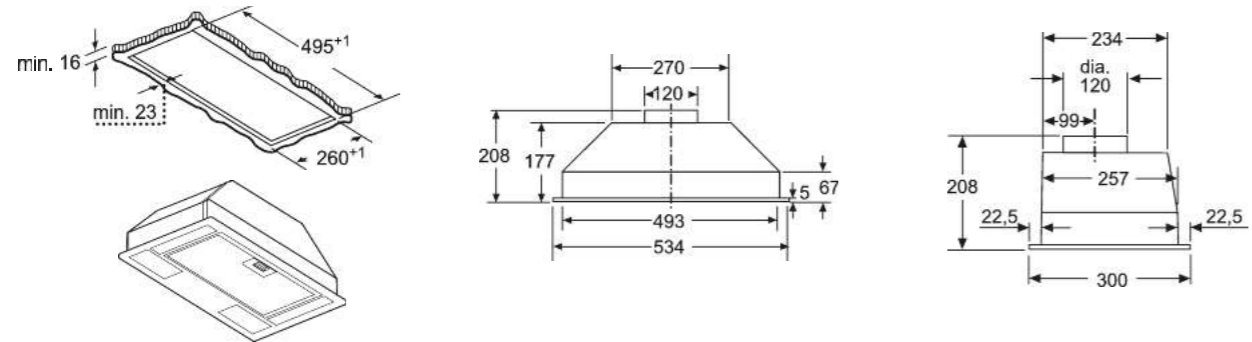
Canopy hood LB75565GB



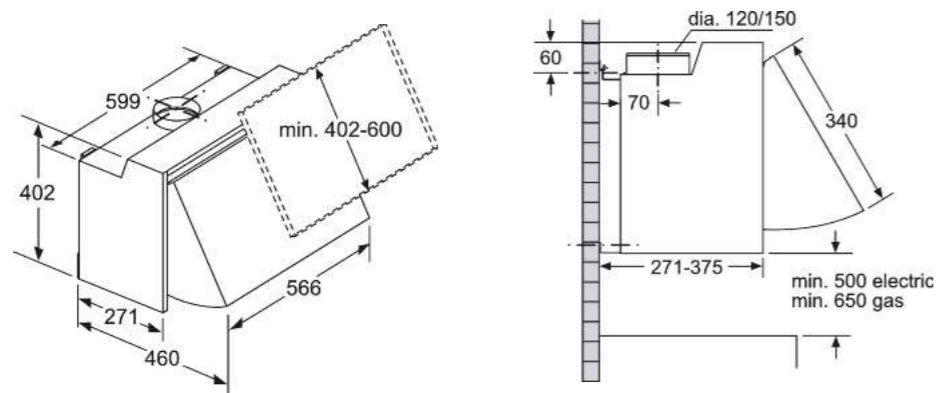
Canopy hood LB55565GB



Canopy hood LB53NAA30B

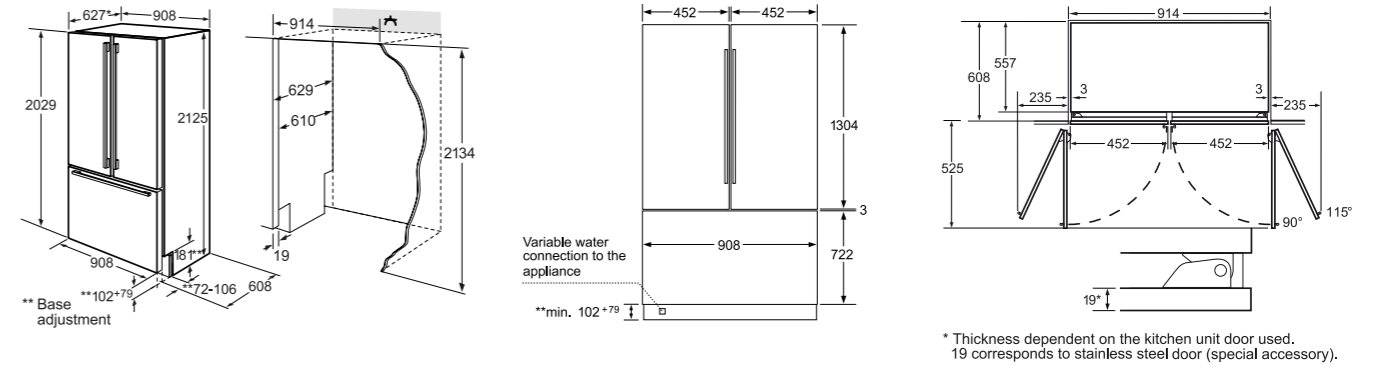


Integrated hoods LE66MAC00B and LE63MAC00B

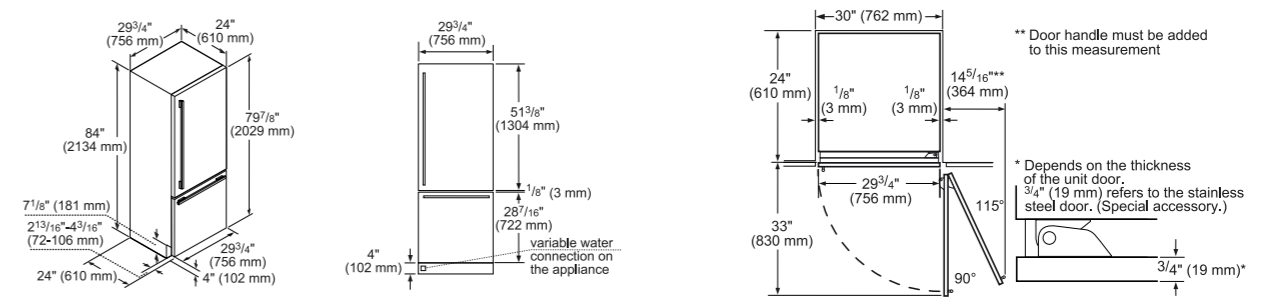


Cooling technical diagrams

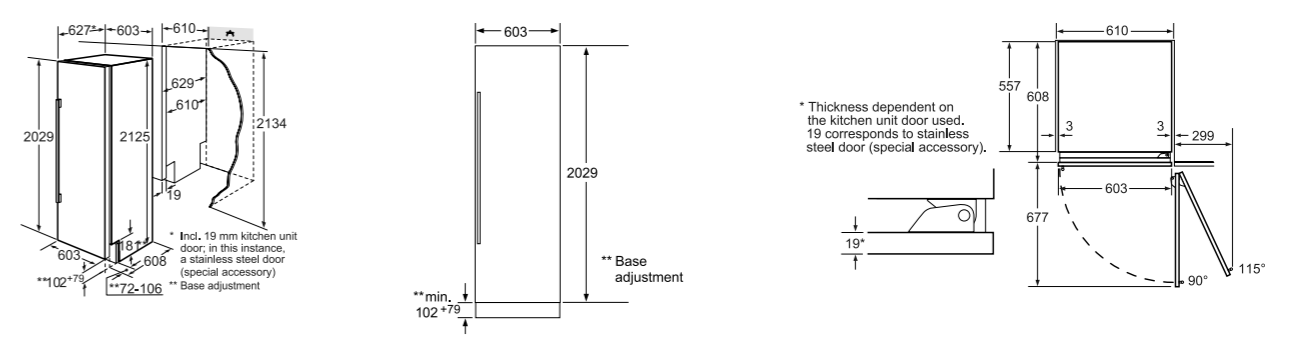
aCool fridge freezer CI36TP02



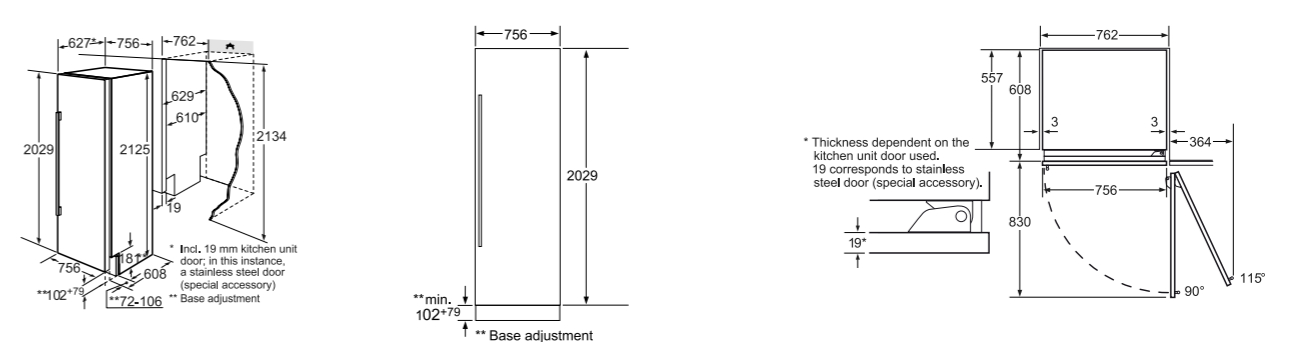
aCool fridge freezer CI30BP02



aCool fridge CI24RP02

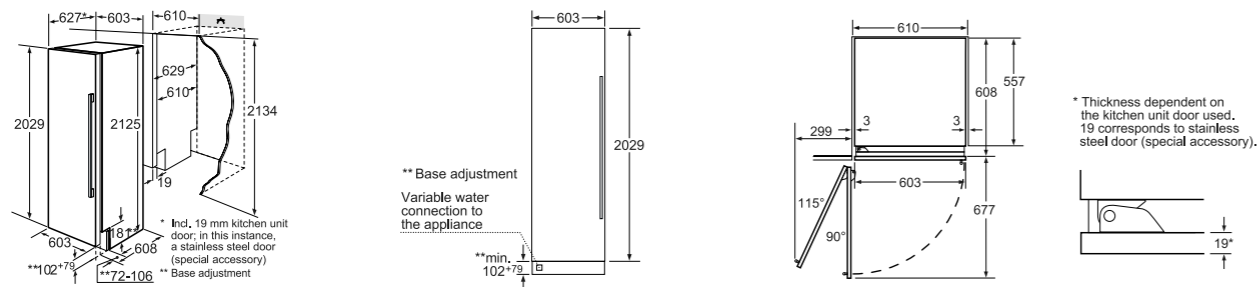


aCool fridge CI30RP02

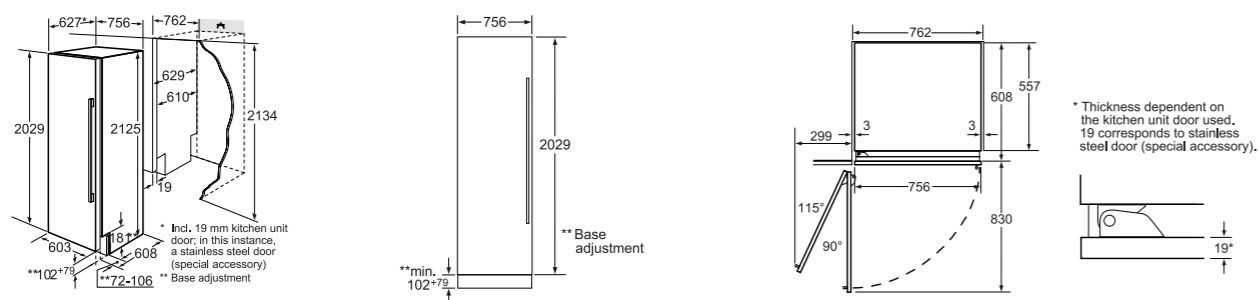


Cooling technical diagrams

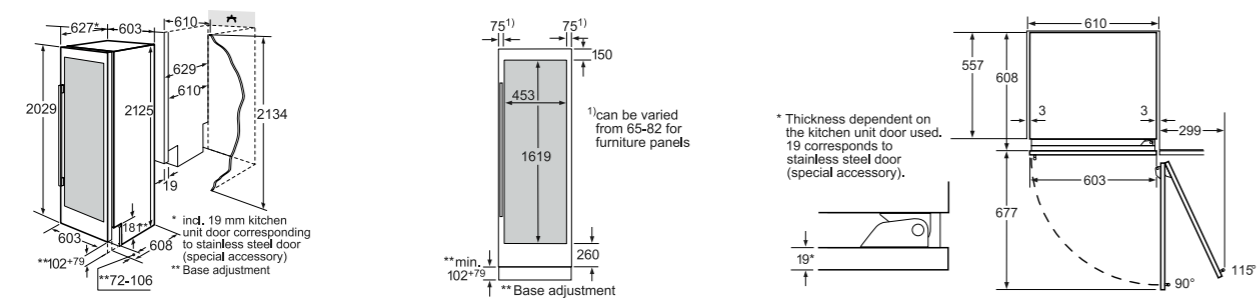
aCool freezer FI24NP32



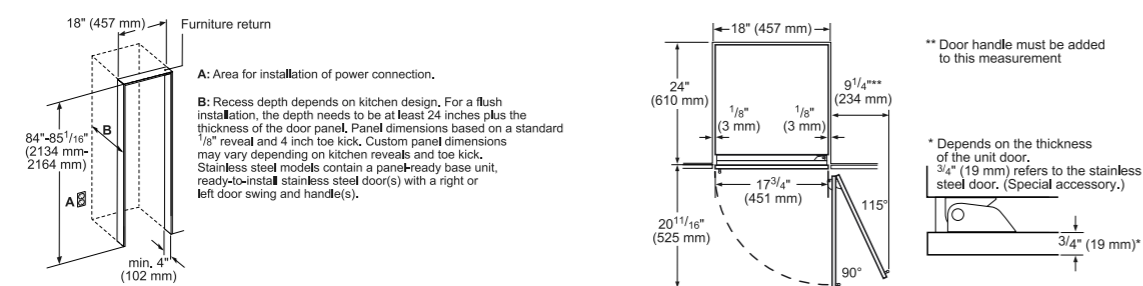
aCool freezer FI30NP32



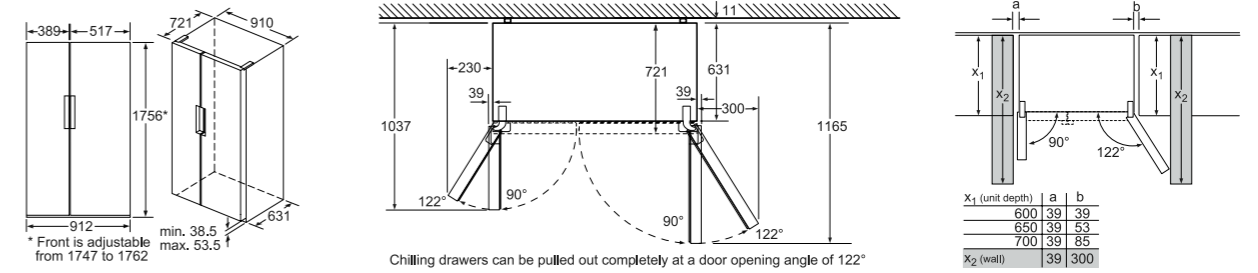
aCool wine cooler CI24WP03



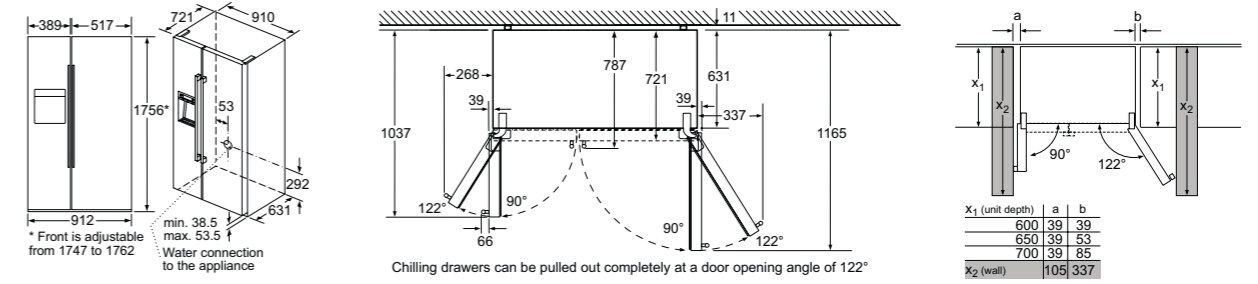
aCool wine cooler CI18WP03



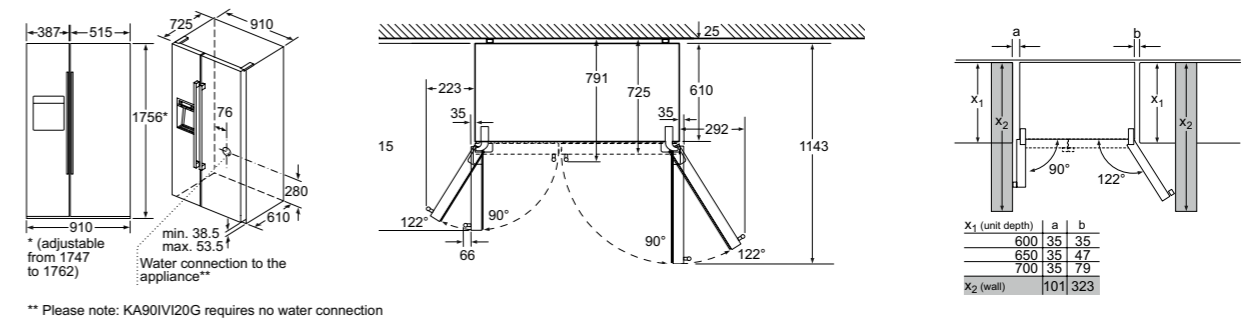
American fridge freezer KA92NLB35G



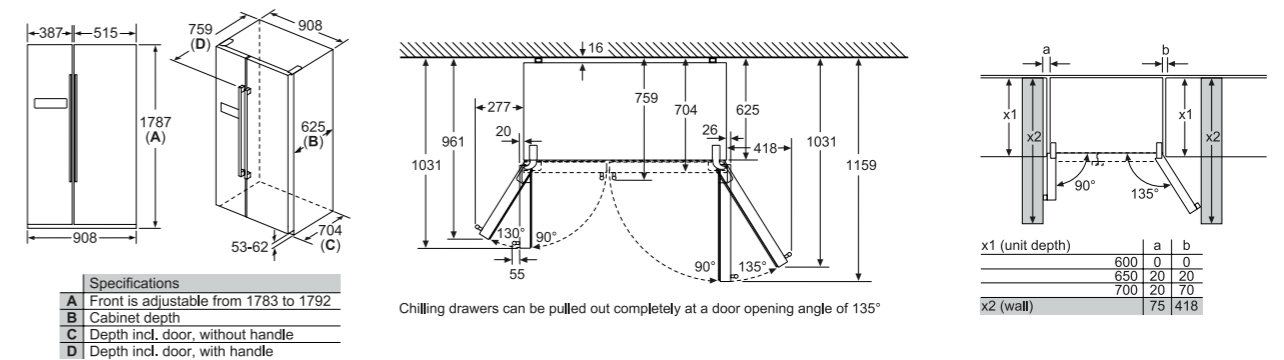
American fridge freezer KA92DAI20G



American fridge freezers KA90DVI20G, KA90IVI20G and KA90NVI20G

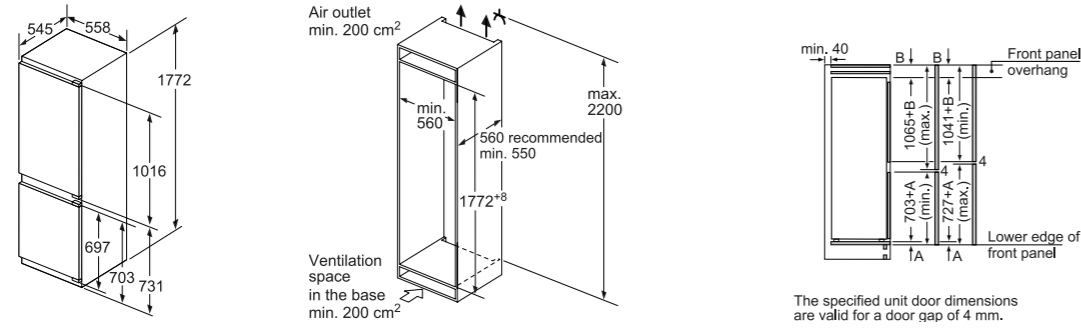


American fridge freezer KA93NVIFP

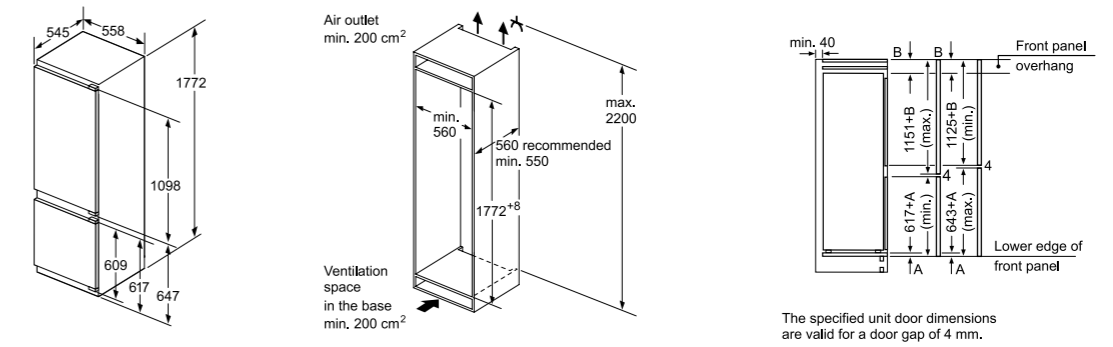


Cooling technical diagrams

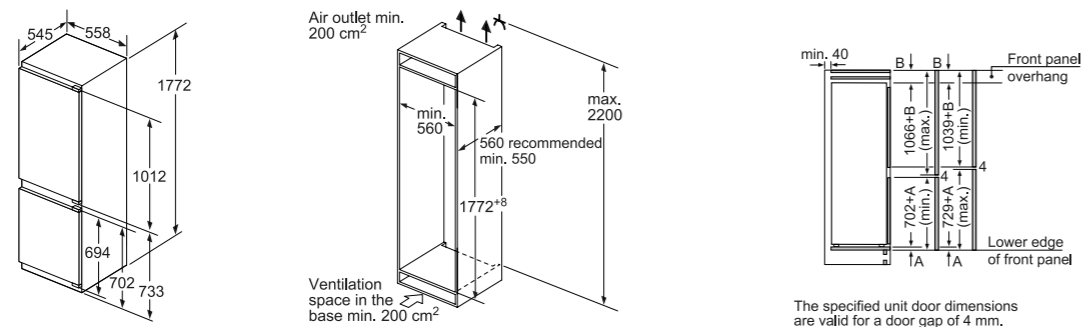
noFrost fridge freezers KI86FHD40 and KI86NHD30



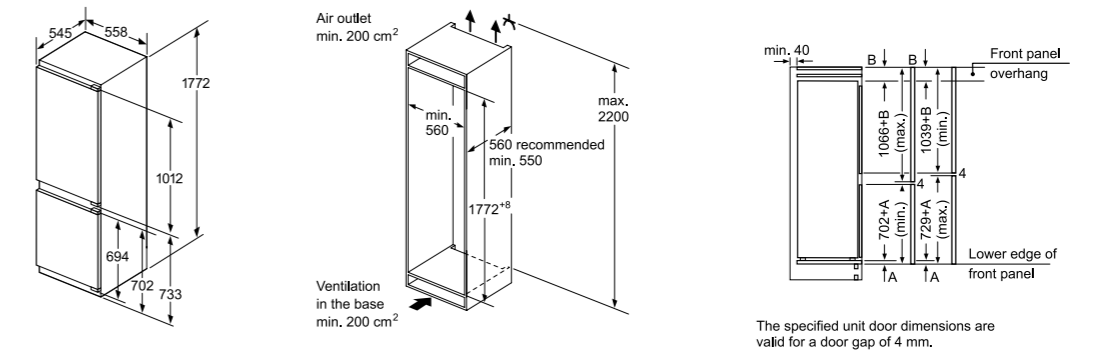
lowFrost fridge freezer KI87FPF30 and KI87SAF30G



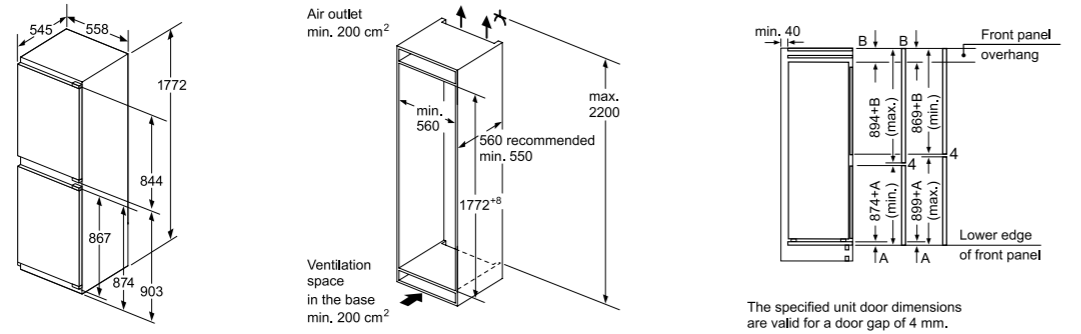
noFrost fridge freezer KI86FPF30G



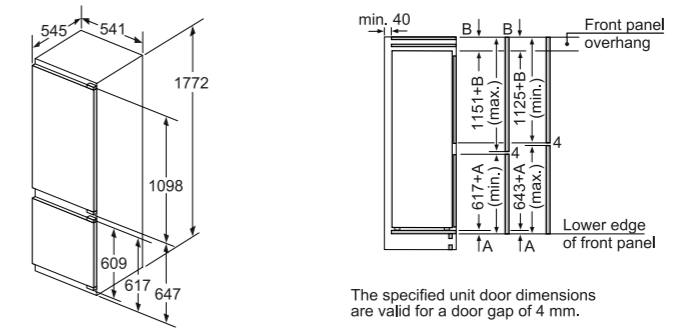
lowFrost fridge freezer KI84FPF30 and KI86SAF30G



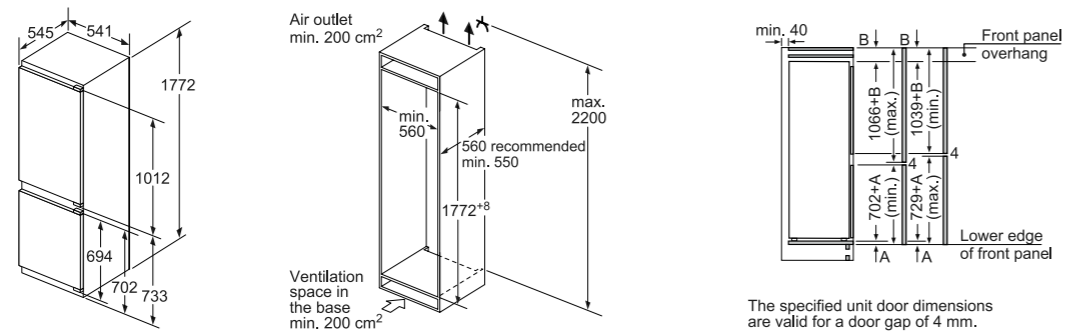
noFrost fridge freezer KI85NAD30G



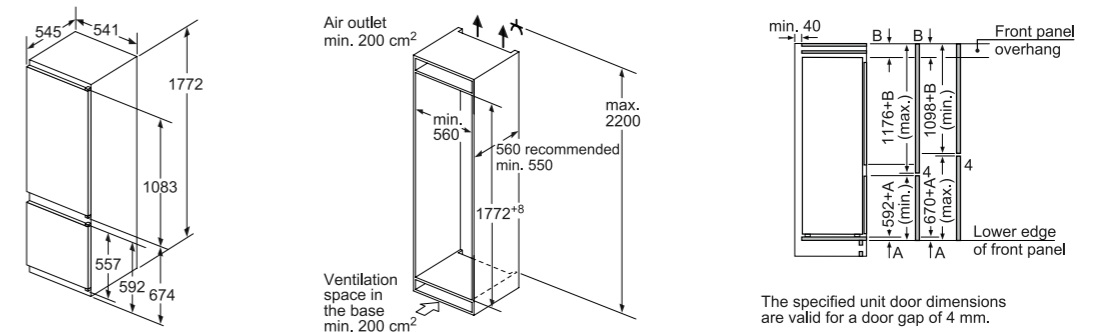
lowFrost freezer KI87VVF30G



noFrost fridge freezers KI86NVF30G and KI86VVF30G

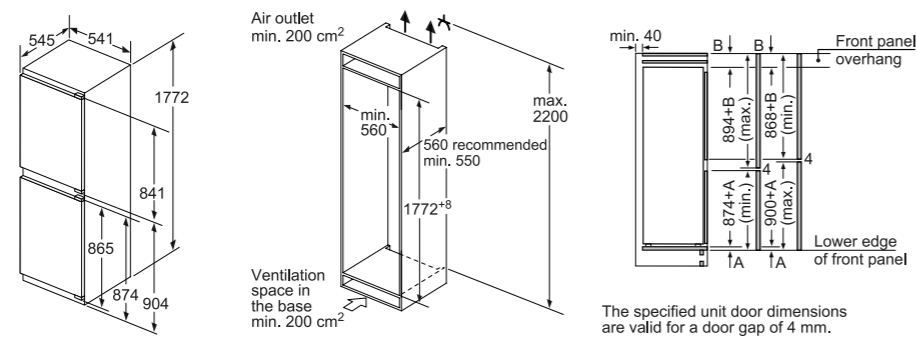


lowFrost freezer KI87VVS30G

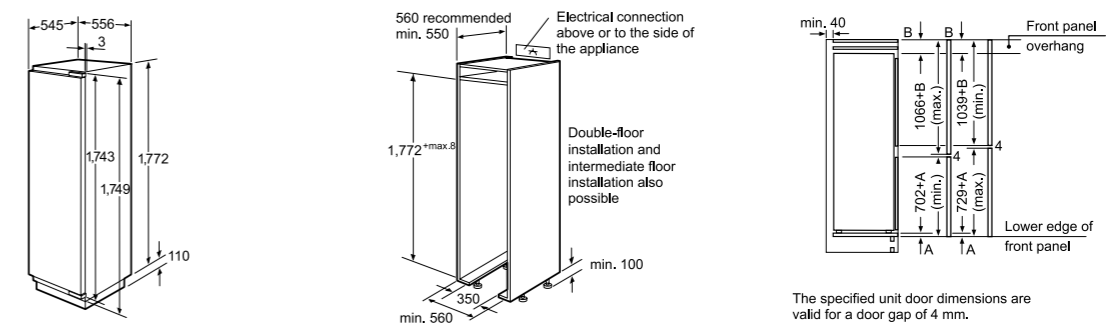


Cooling technical diagrams

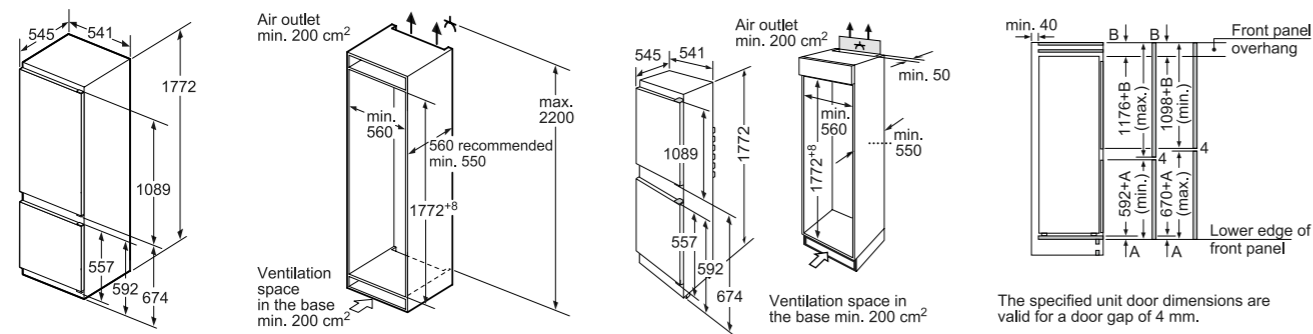
lowFrost freezer KI85VVF30G



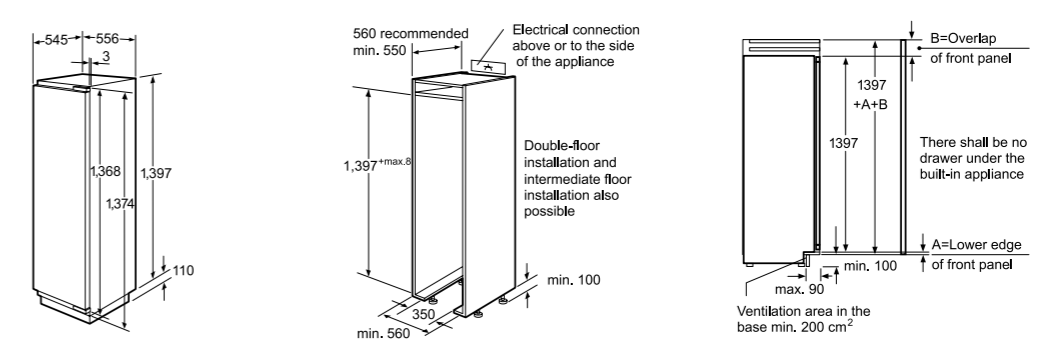
177cm freezer GI81NAE30G



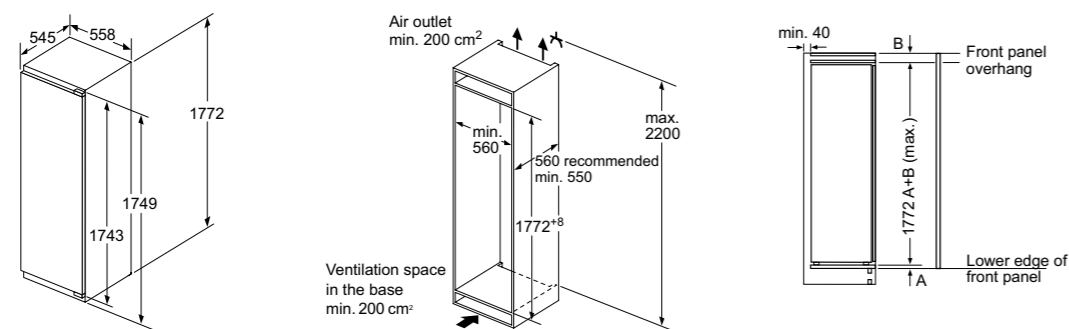
Static freezer KI38VX22GB



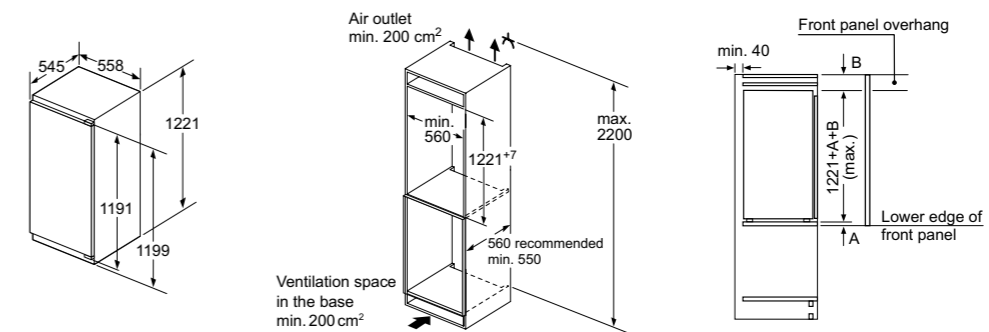
140cm fridge KI51RAF30G



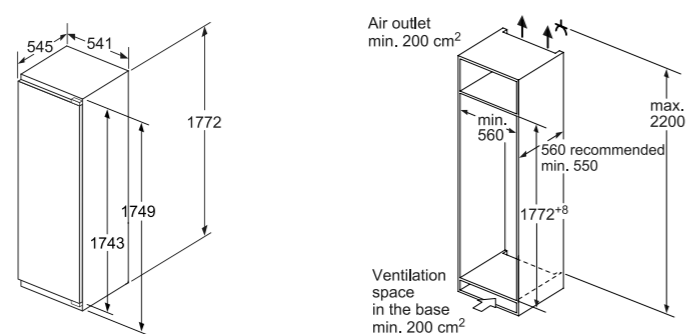
177cm fridges KI81FHD40, KI81FPF30G, KI81RAD30, KI81RAF30G and KI82LAF30



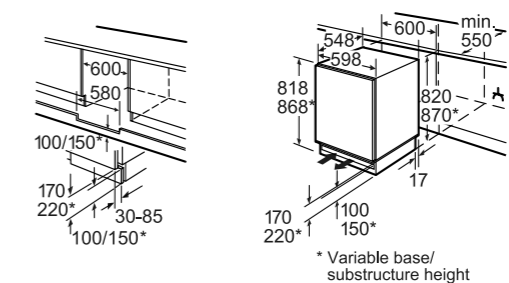
122cm fridges KI41RAD30 and KI41RAF30G



177cm fridge KI81RVS30G

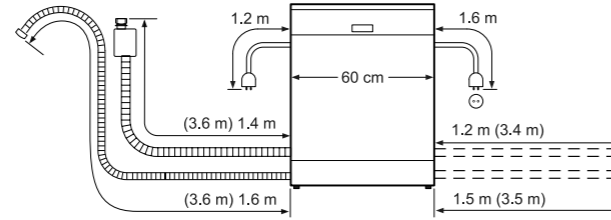
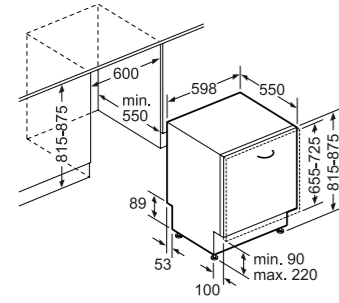


82cm built-under fridges and freezer KU15LA60GB, KU15RA51GB and GU15DA50GB



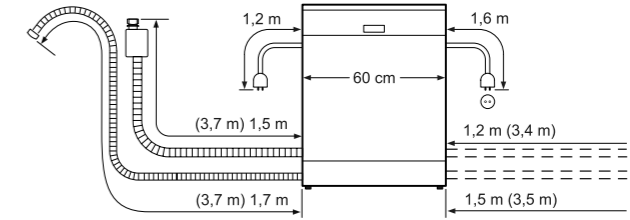
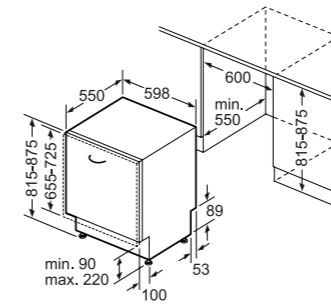
Dishwasher technical diagrams

Fully integrated dishwashers SN878D26PE, SN678D06TG, SN678D01TG, SN658D00MG, SN658D01MG and SN658D02MG



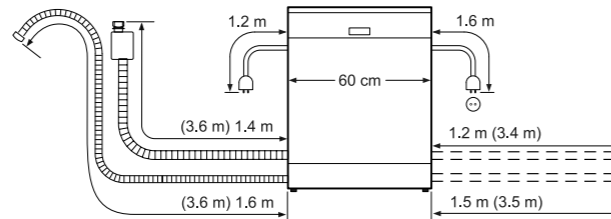
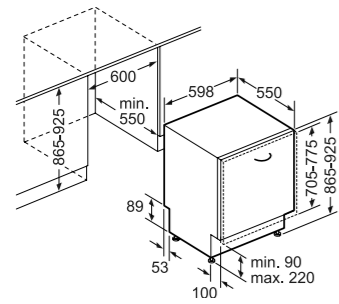
() values with extension kit

Fully integrated dishwasher SN636X00KG



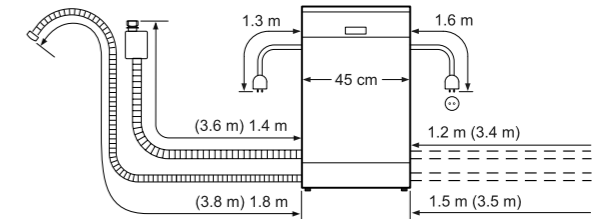
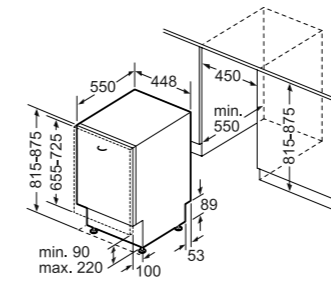
() values with extension kit

Fully integrated dishwasher SX878D26PE

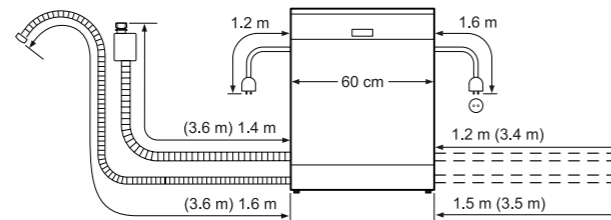
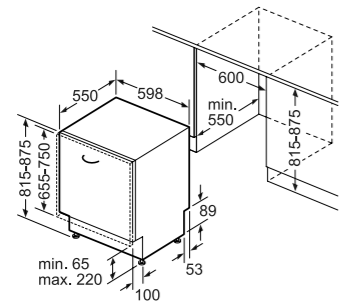


() values with extension kit

45cm fully integrated dishwashers SR656X01TE and SR636D00MG

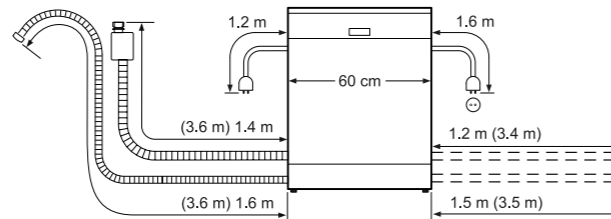
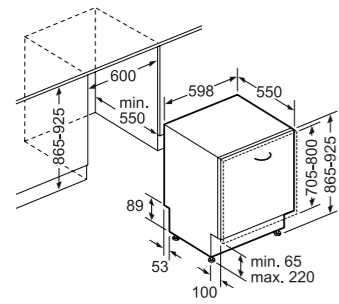


Fully integrated dishwasher SN736X03ME



() values with extension kit

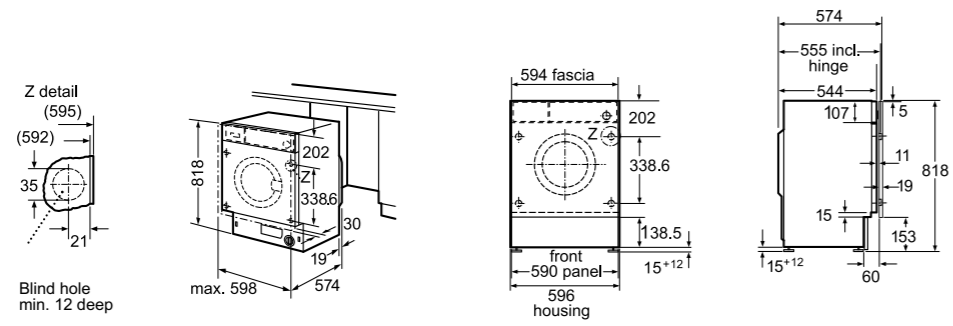
Fully integrated dishwasher SX736X03ME



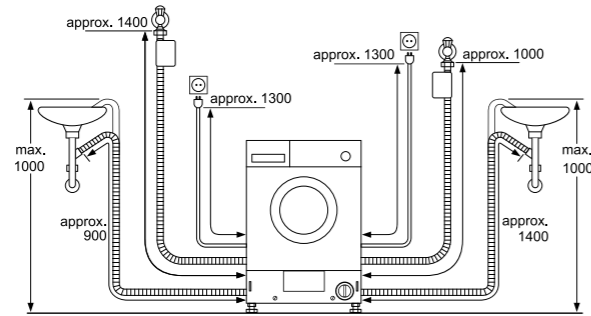
() values with extension kit

Home laundry technical diagrams

Integrated washing machines WI14W500G and WI14W300GB



Blind hole
min. 12 deep



If, after fitting, the HydroSafe inlet hose to the installation is not long enough, it can be lengthened with the connecting kit WZ 10130 (length 2.5 m).

Integrated washer dryers WK14D541GB and WK14D321GB

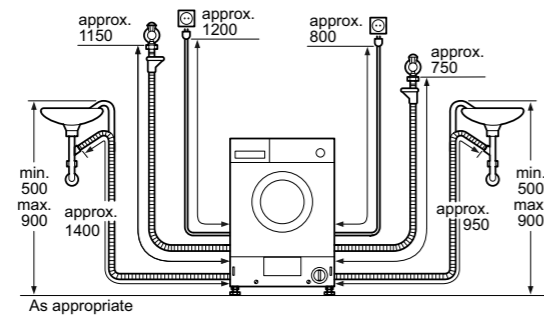
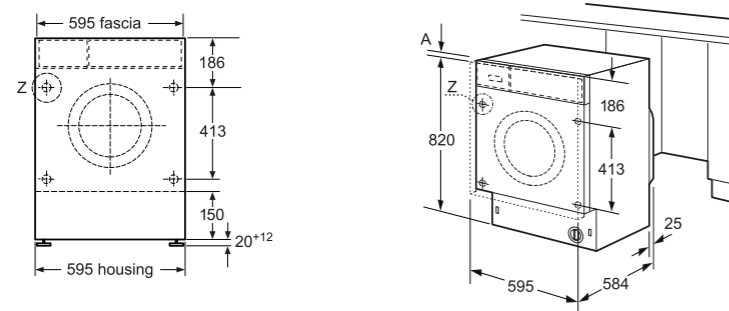


Image on front represents:

HN678GES6B single oven

HB678GBS6B single oven

EX807LX33E venting hob

Siemens, a division of BSH Home Appliances Ltd,
Grand Union House,
Old Wolverton Road, Wolverton,
Milton Keynes, MK12 5PT
Tel: 0344 892 9040

siemens-home.bsh-group.com/uk

BSH Home Appliances Ltd,
M50 Business Park,
Ballymount,
Dublin 12
Tel: 1890 626041

siemens-home.bsh-group.com/ie

BSH Group is a Trademark Licensee of Siemens AG

Disclaimer

This brochure is current as from the publication date and supersedes all previous brochures for these products. Whilst BSH Home Appliances Ltd believes that all information contained within this brochure is correct at the time of going to print, no representation or warranty, express or implied, is or will be made and no responsibility or liability is or will be accepted by BSH Home Appliances Ltd in relation to the accuracy or completeness of this information and any liability is expressly disclaimed. To the extent permitted by law, BSH Home Appliances Ltd expressly excludes: i) all conditions, warranties and other terms which might otherwise be implied by statute, common law or the law of equity and ii) any liability for any direct, indirect or consequential loss or damage (including, without limitation, damages for loss of business or loss of profits) arising in contract, tort or otherwise from the use of or reliance on any information contained within this brochure or from any action or decision taken as a result of such use or reliance. BSH Home Appliances Ltd reserves the right to modify technical data and all other information contained within this brochure without notice. All rights reserved. No part of this publication may be reproduced in any form or without the prior written permission of BSH Home Appliances Ltd.

This brochure should not be regarded as an infallible guide nor as an offer of sale for a particular product.

Due to variables in the reproduction process, colours of actual products may vary slightly from those depicted. We recommend a visit to a Siemens dealer to confirm that specifications and colours are to your satisfaction.

Valid from July 2019

